



Chipsmall Limited consists of a professional team with an average of over 10 year of expertise in the distribution of electronic components. Based in Hongkong, we have already established firm and mutual-benefit business relationships with customers from,Europe,America and south Asia,supplying obsolete and hard-to-find components to meet their specific needs.

With the principle of “Quality Parts,Customers Priority,Honest Operation,and Considerate Service”,our business mainly focus on the distribution of electronic components. Line cards we deal with include Microchip,ALPS,ROHM,Xilinx,Pulse,ON,Everlight and Freescale. Main products comprise IC,Modules,Potentiometer,IC Socket,Relay,Connector.Our parts cover such applications as commercial,industrial, and automotives areas.

We are looking forward to setting up business relationship with you and hope to provide you with the best service and solution. Let us make a better world for our industry!



Contact us

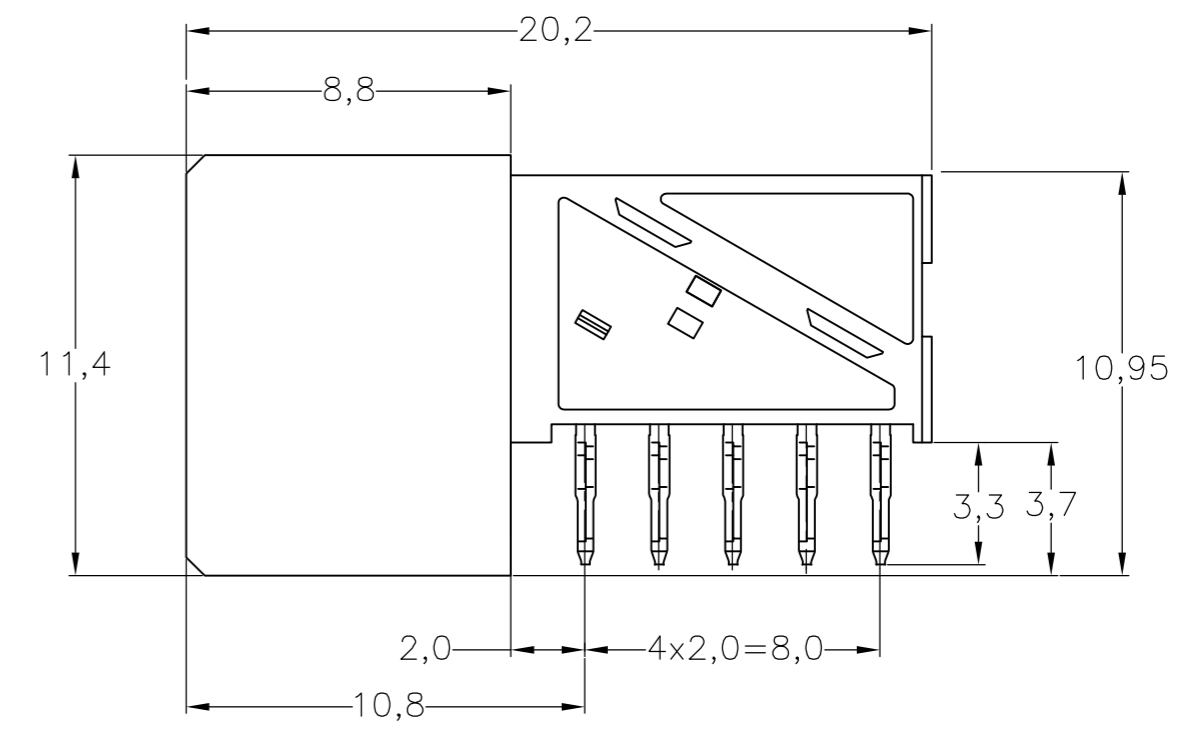
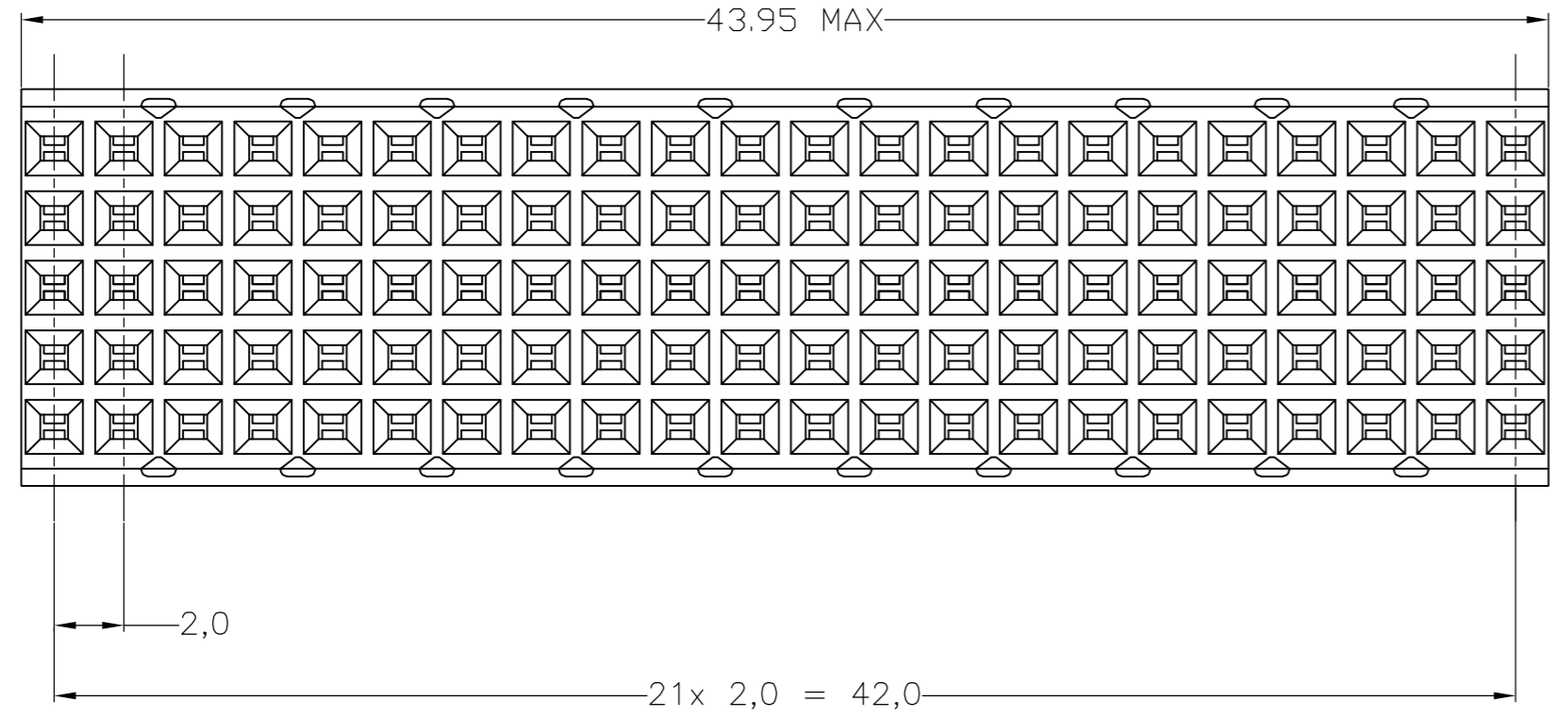
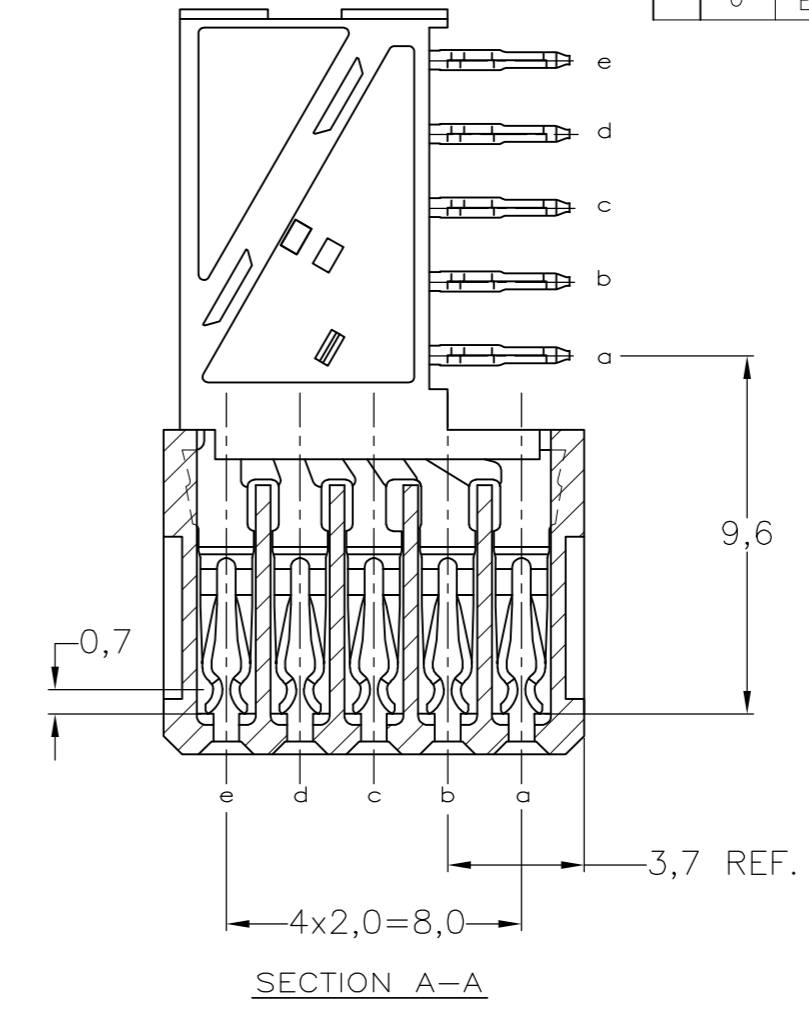
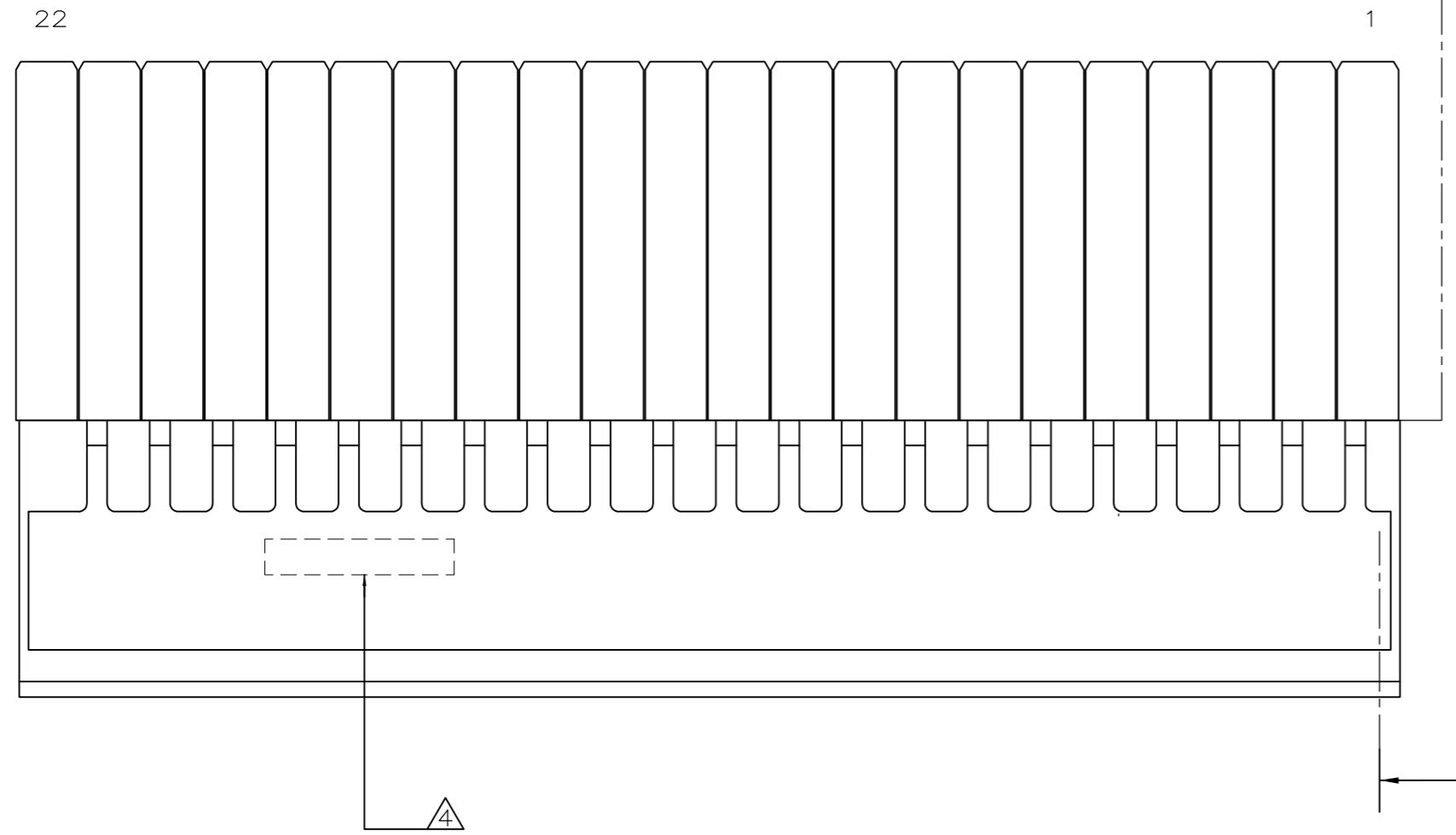
Tel: +86-755-8981 8866 Fax: +86-755-8427 6832

Email & Skype: info@chipsmall.com Web: www.chipsmall.com

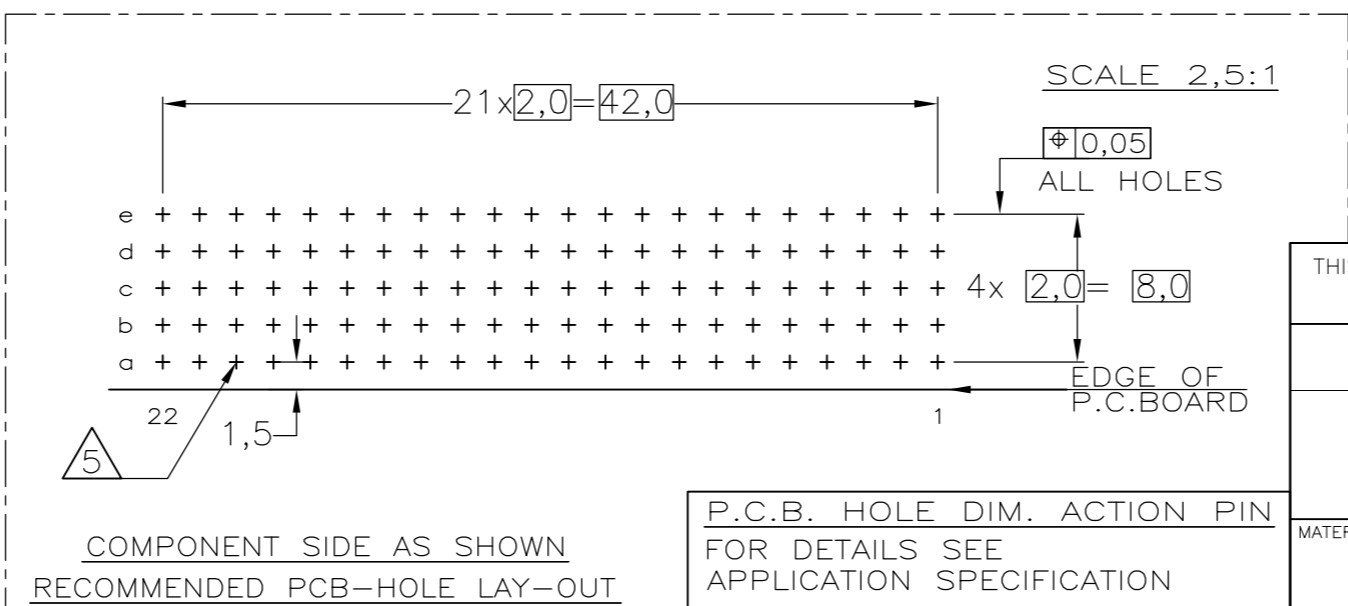
Address: A1208, Overseas Decoration Building, #122 Zhenhua RD., Futian, Shenzhen, China



LOC		DIST		REVISIONS			
P	LTR	DESCRIPTION	DATE	DWN	APVD		
	G	REVISE PER ECO-10-018803	14SEP2010	LC	CW		
	H	ECO-12-003005	22FEB12	SY	MQW		
	J	ECR-12-009867	25NOV12	SY	AC		



- NOTES:
- ① MATERIAL CONTACT; PHOSPHORBRONZE
MATERIAL HOUSING; GLASSFILLED POLYESTER (GRAY)
UL-RATING 94V0.
 - ② GENERAL PLATING SPECIFICATION: UNDERPLATING (ENTIRE CONTACT):
1,27µm NICKEL MIN. AND ACTION PIN: 0,5µm TIN-LEAD MIN.
FOR PLATING OF MATING SURFACES SEE APPLICABLE SPECIFICATION
REFERENCE FOR EACH DASH NUMBER.
 - ③ CONFORMS TO ALL TESTING ACCORDING IEC 61076-4-101
PERFORMANCE LEVEL 2.
 - ④ CONNECTOR PRINTED WITH PARTNUMBER AND DATECODE
 - ⑤ PLATED-THROUGH HOLES AT 2x2mm SQUARE GRID. 110 HOLES
 - ⑥ FITS WITH INTEGRATED GROUND RETURN UPSHIELD
BASIC P.N. 352151
 - ⑦ CONNECTOR TESTED AND QUALIFIED AGAINST TELCORDIA
GR-1217-CORE QUALITY LEVEL III, CENTRAL OFFICE APPLICATIONS.
 - ⑧ 0.76µm MIN GOLD PLATING AT MATING SURFACES.



	FINISH	MATERIAL	PARTNUMBER
OBSOLETE	②③⑧	①	3-188836-0
OBSOLETE	②③	①	188836-9
OBSOLETE	②③	①	188836-1

THIS DRAWING IS A CONTROLLED DOCUMENT.

DIMENSIONS: MM	TOLERANCES UNLESS OTHERWISE SPECIFIED:	DWN E.MÖHLMANN 11FEB97	Tyco Electronics Corporation s--HertogenBosch, Netherlands,
0 PLC ± 0.2	1 PLC ± 0.2	CHK W.V.D.HEIJDEN	
2 PLC ± 0.2	3 PLC ± 0.2	APVD F.V.KONINGSBRUGGE	NAME
4 PLC ± -	ANGLES ± -	PRODUCT SPEC	Z-PACK 2MM HM
MATERIAL	FINISH	APPLICATION SPEC	110 POS. FEMALE DAUGHTER CARD CONN. (22 COLUMNS)
		108-19082	SIZE
		114-19029	CAGE CODE
		WEIGHT	DRAWING NO
			RESTRICTED TO
		CUSTOMER DRAWING	A2 00779 C-188836
			SCALE NTS SHEET 1 OF 1 REV J