



Chipsmall Limited consists of a professional team with an average of over 10 year of expertise in the distribution of electronic components. Based in Hongkong, we have already established firm and mutual-benefit business relationships with customers from,Europe,America and south Asia,supplying obsolete and hard-to-find components to meet their specific needs.

With the principle of “Quality Parts,Customers Priority,Honest Operation,and Considerate Service”,our business mainly focus on the distribution of electronic components. Line cards we deal with include Microchip,ALPS,ROHM,Xilinx,Pulse,ON,Everlight and Freescale. Main products comprise IC,Modules,Potentiometer,IC Socket,Relay,Connector.Our parts cover such applications as commercial,industrial, and automotives areas.

We are looking forward to setting up business relationship with you and hope to provide you with the best service and solution. Let us make a better world for our industry!



## Contact us

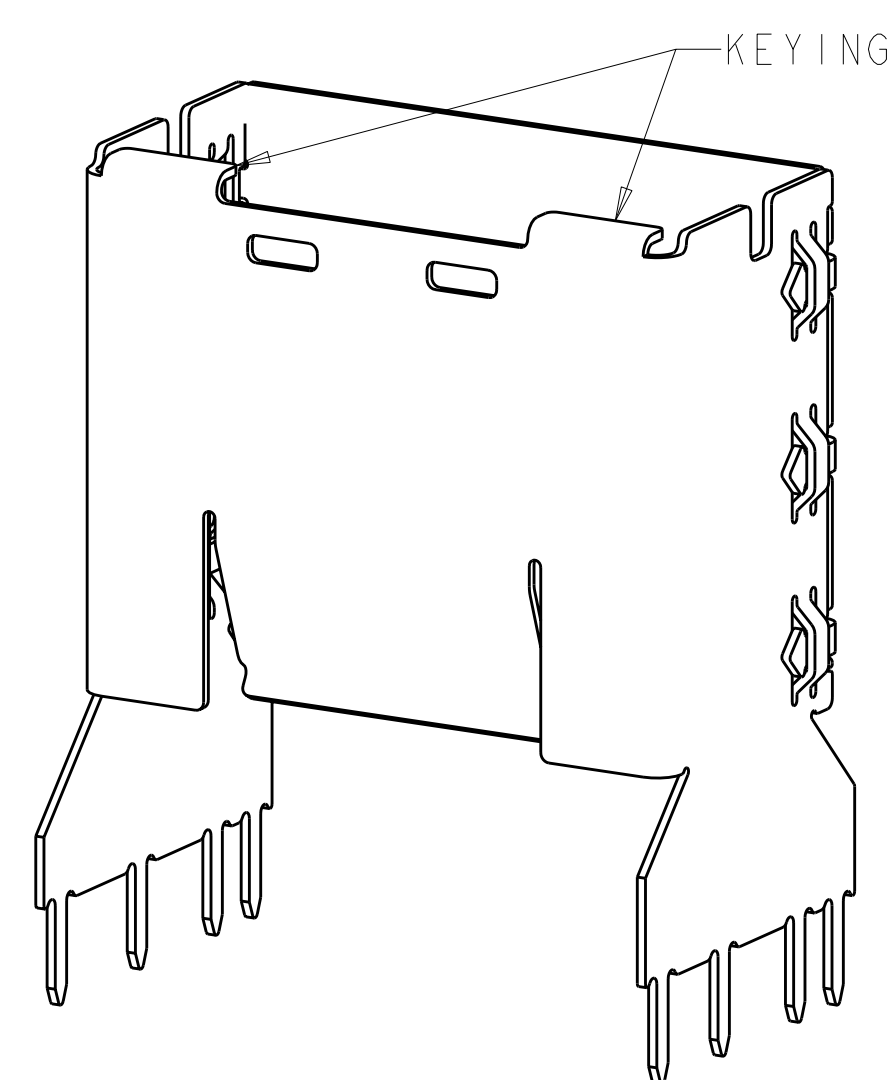
Tel: +86-755-8981 8866 Fax: +86-755-8427 6832

Email & Skype: info@chipsmall.com Web: www.chipsmall.com

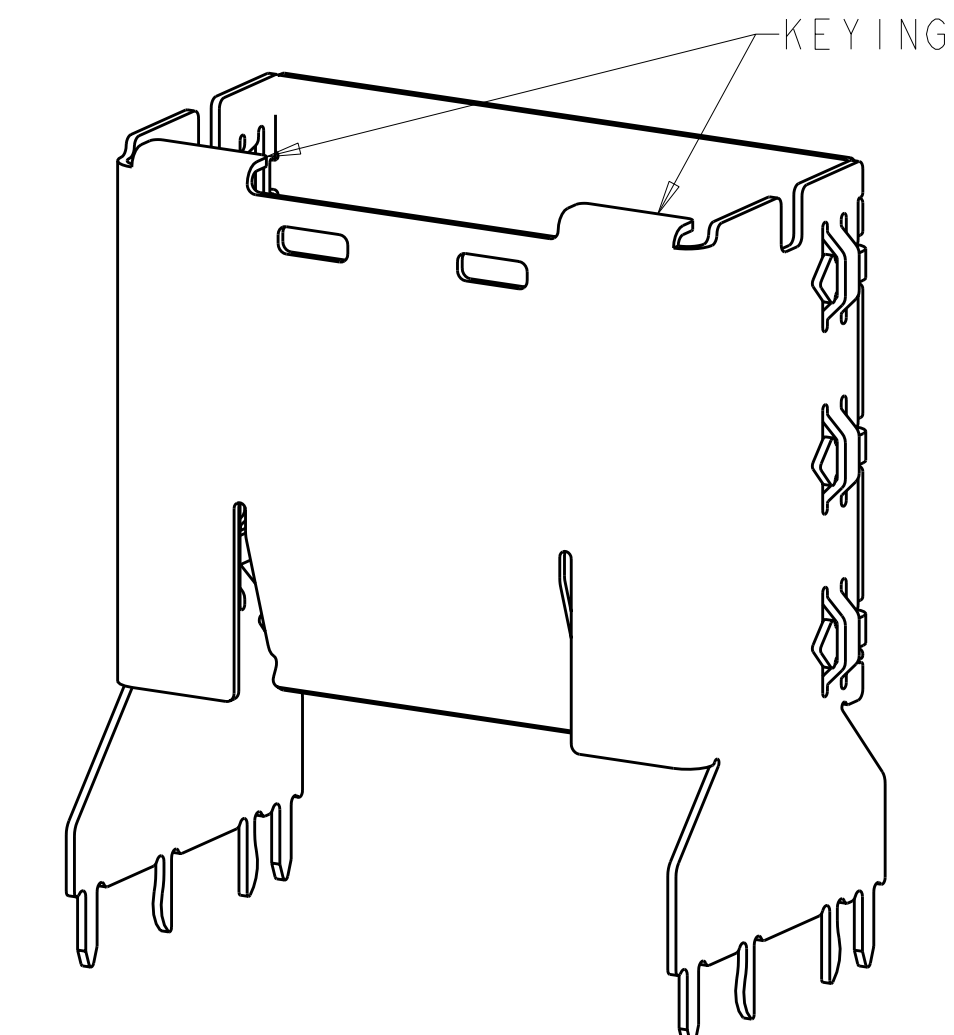
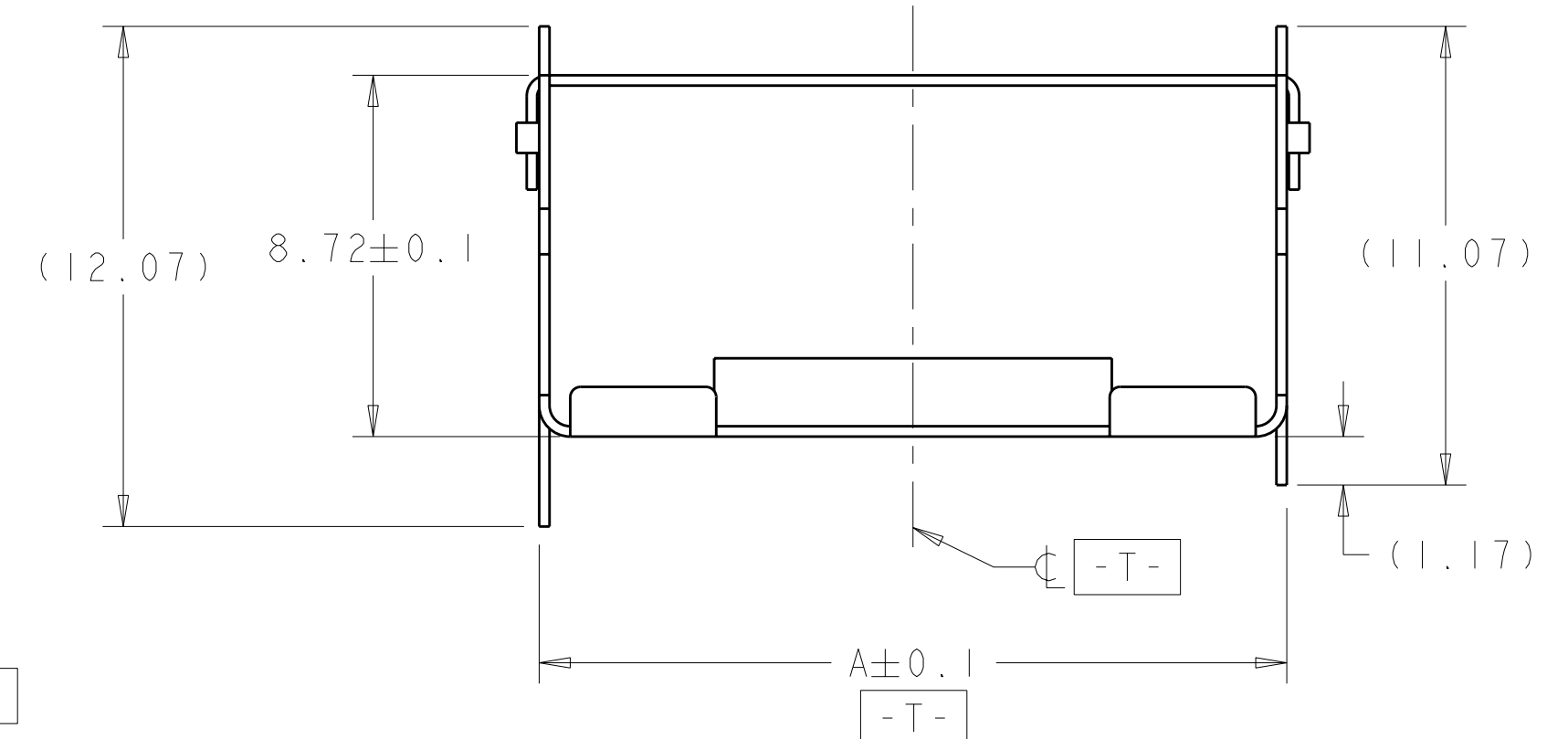
Address: A1208, Overseas Decoration Building, #122 Zhenhua RD., Futian, Shenzhen, China



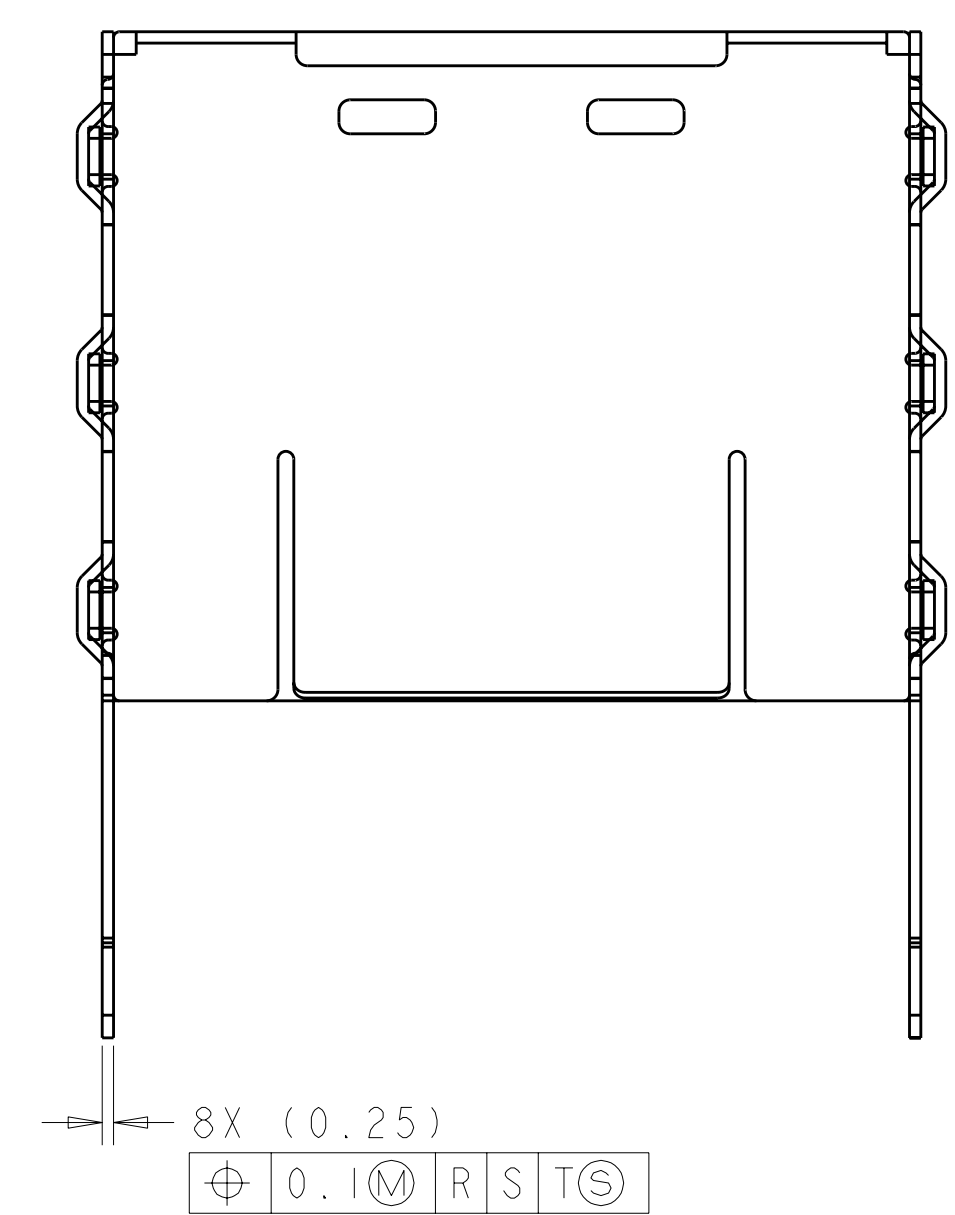
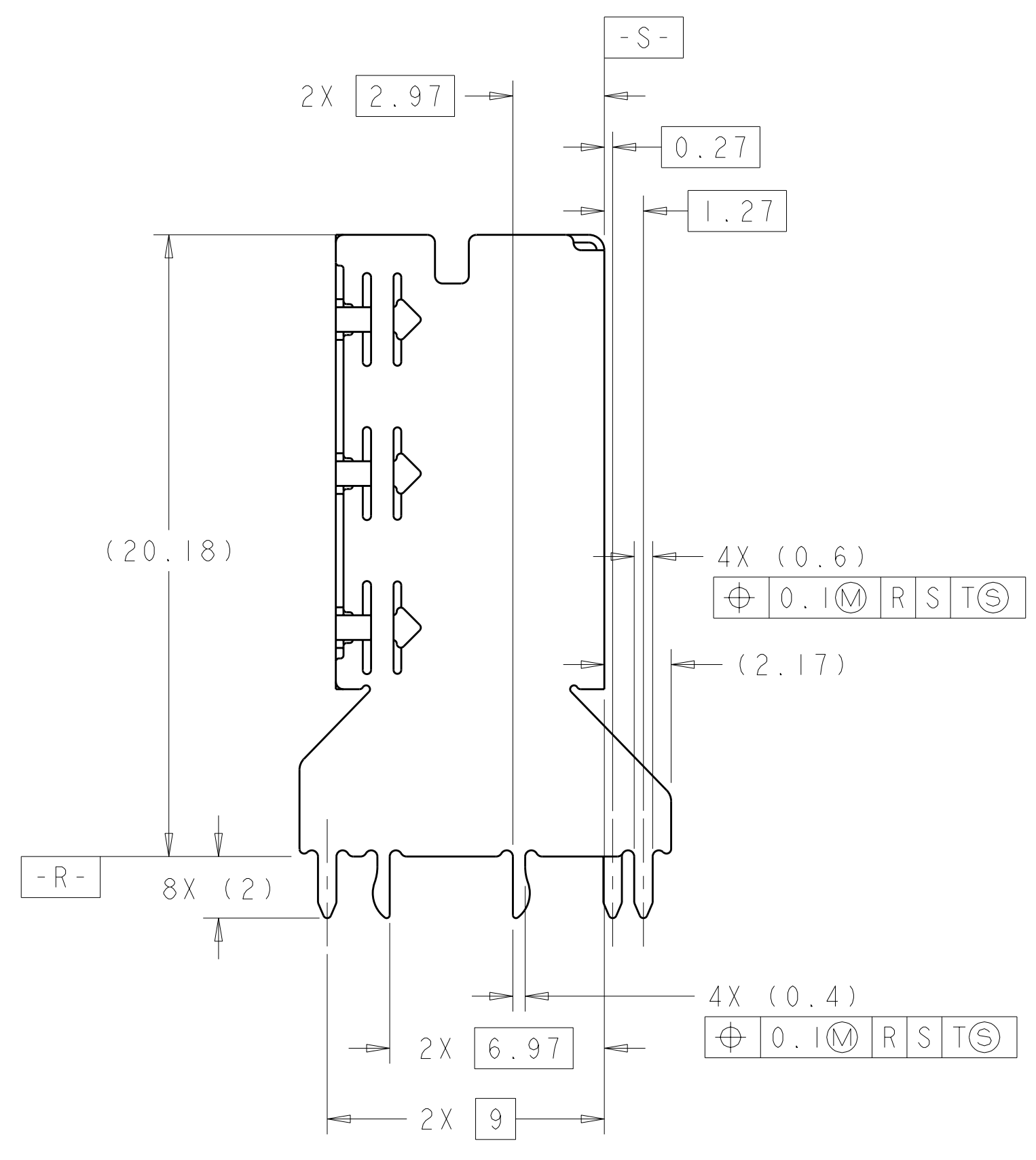
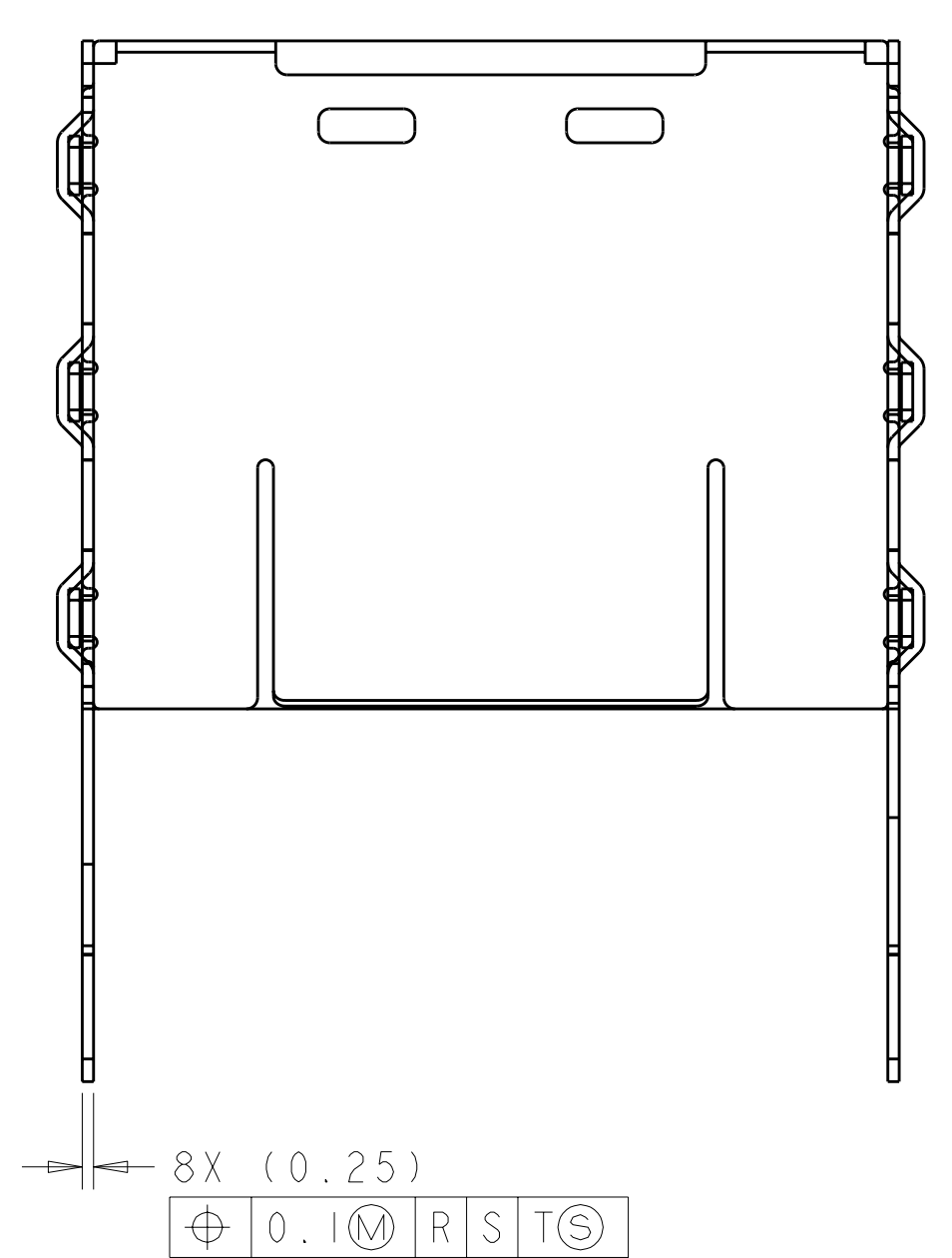
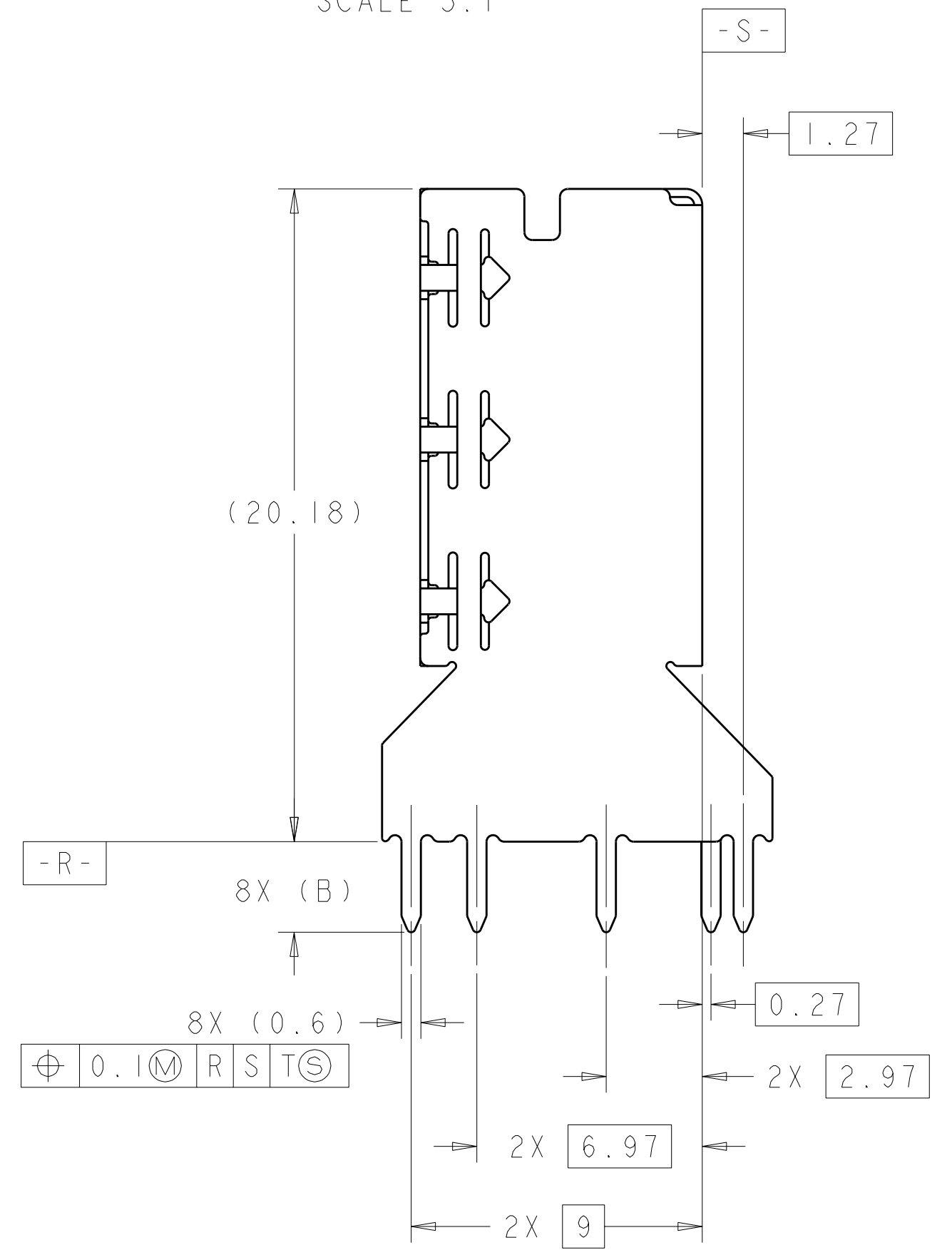
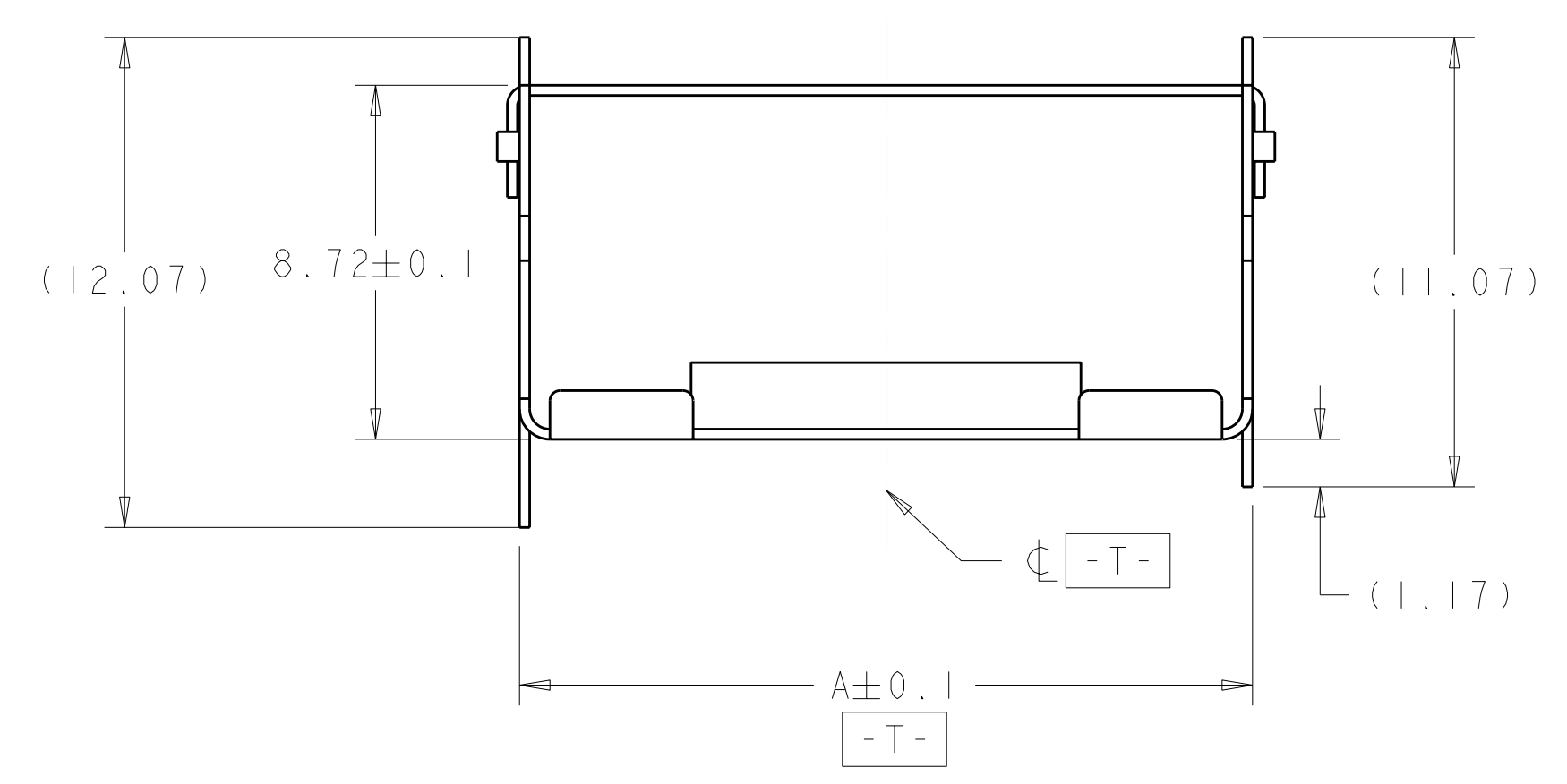
LOC	DIST	REVISIONS			
P	LTR	DESCRIPTION	DATE	DWN	APVD
GP	00	A	RELEASED PER ECO-08-011133	14MAY2008	ZMR DLG



1888413-6  
SCALE 5:1



1888413-4  
SCALE 5:1



1888413-6 AND 1888416-8  
AS SHOWN

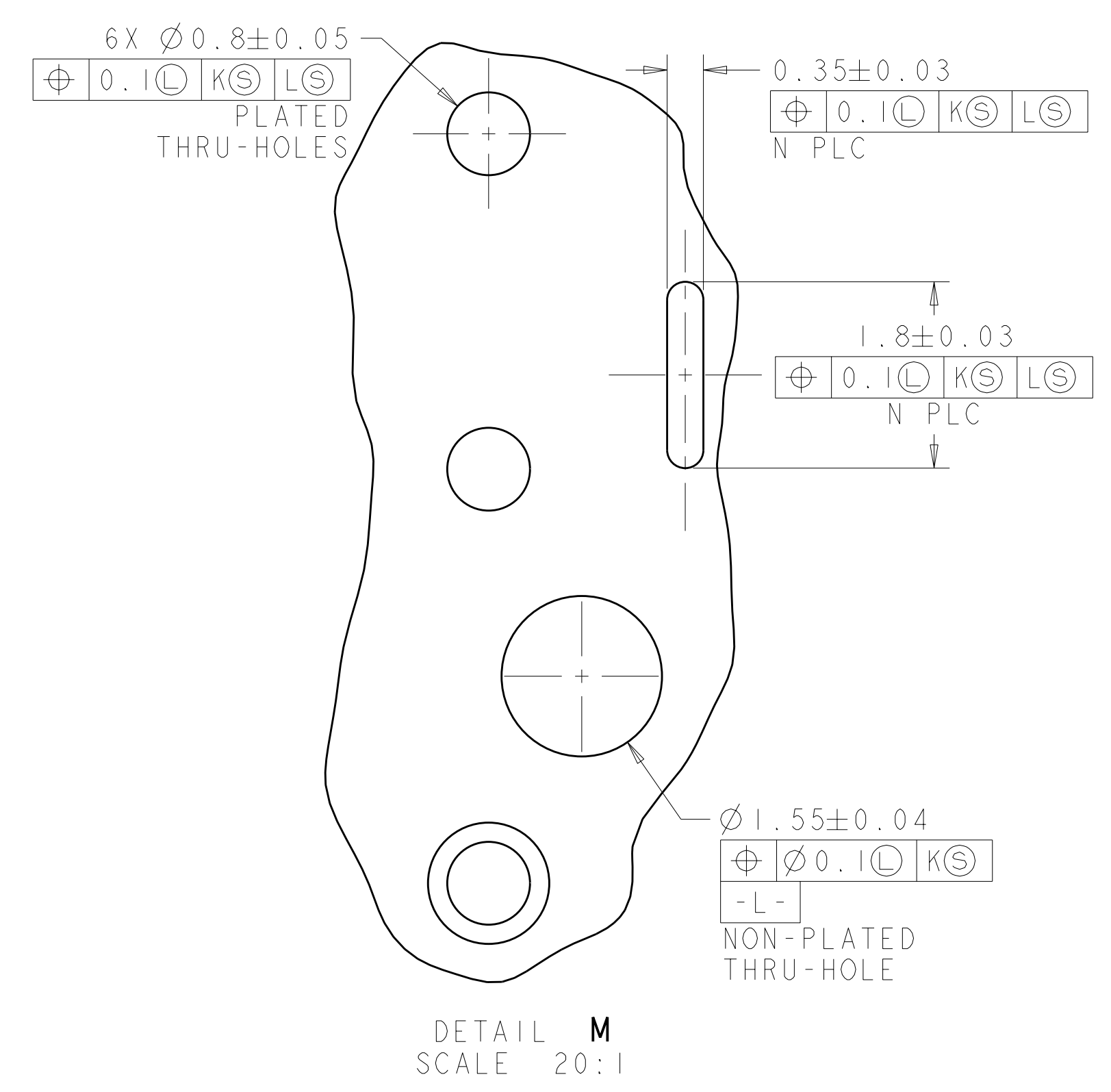
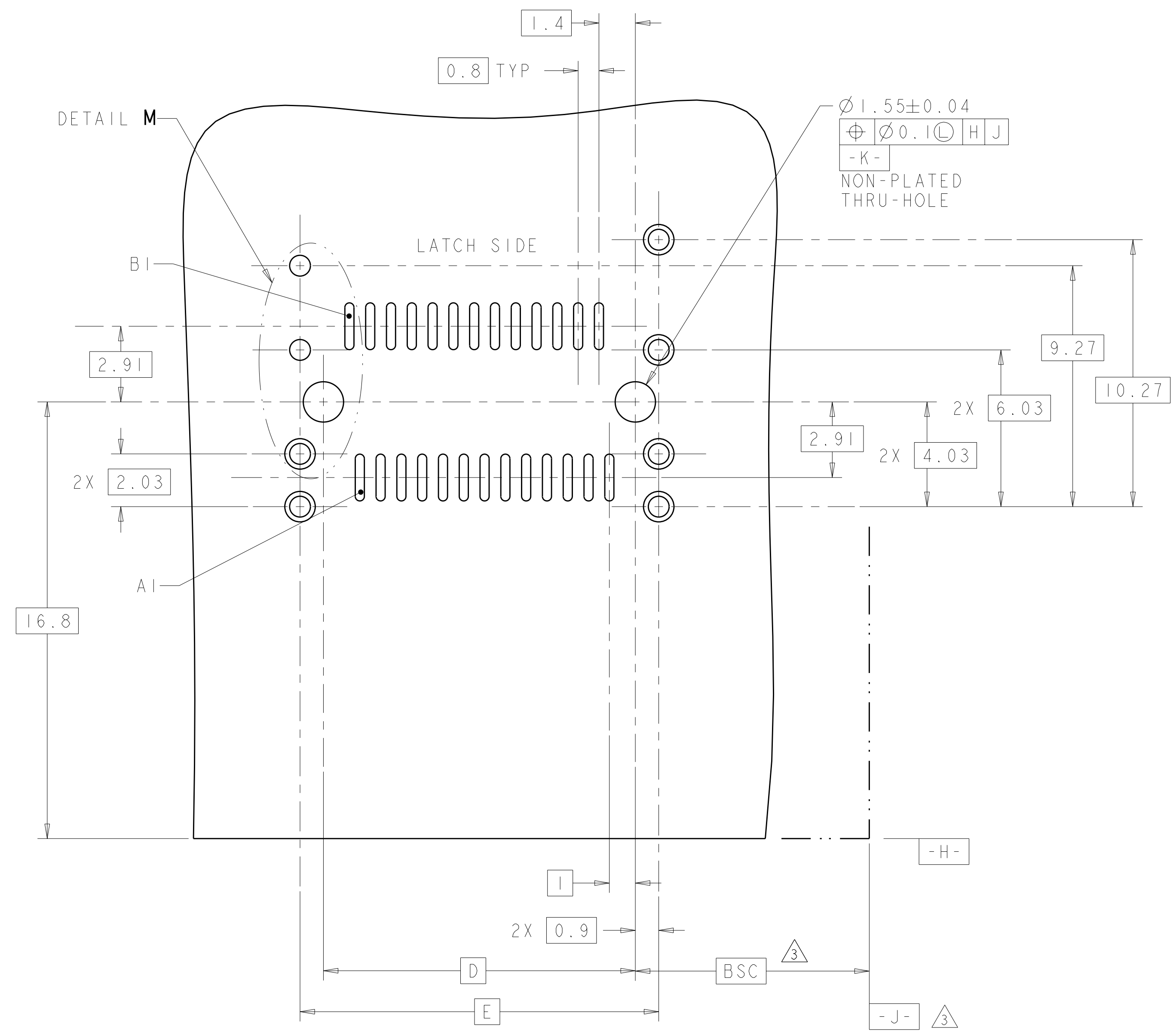
1888413-4  
AS SHOWN

- 1 MATERIAL: NICKEL-SILVER PER ASTM B 122.
- 2. SHIELD ASSY TO BE USED WITH THE SURFACE MOUNT RECEPTACLE CONNECTOR PART NUMBER REFERENCED IN TABLE.
- 3 DATUM AND BASIC DIMENSION ESTABLISHED BY CUSTOMER.

1888020-2	36	-	17.8	16	3.5	18.05	36	1888413-8
1888020-2	36	-	17.8	16	2.8	18.05	36	1888413-6
1888020-2	36	-	17.8	16	-	18.05	36	1888413-4
CONNECTOR PART NUMBER	N	F	E	D	B	A	POSN	PART NUMBER

DIMENSIONS: mm 		TOLERANCES UNLESS OTHERWISE SPECIFIED: 9 PLC ± 1 PLC ±0.1 5 PLC ± 4 PLC ± ANGLES ± FINISH -		DWN M.E. COWHER 07MAR2006 CHK R.R. HENRY 07MAR2006 APVD R.R. HENRY 07MAR2006 NAME EVERCLEAR Mini-SAS VERTICAL, INTERNAL SHELL ASSEMBLY, DUAL KEYING PRODUCT SPEC 108-2234 APPLICATION SPEC SIZE CAGE CODE DRAWING NO. RESTRICTED TO WEIGHT - CUSTOMER DRAWING SCALE 6:1 SHEET 1 OF 2 REV A	
MATERIAL 		Tyco Electronics Harrisburg, PA 17105-3608		A100779C=1888413	

LOC	DIST	REV	DATE	BY	APPD
GP	00				
DESCRIPTION			DATE	DWN	APPD
SEE SHEET 1					



RECOMMENDED PCB LAYOUT  
 FOR 1888413-4 AND 1888413-8  
 SCALE 8:1

<small>THIS DRAWING IS UNPUBLISHED. RELEASED FOR PUBLICATION. ALL RIGHTS RESERVED. THIS DRAWING IS THE PROPERTY OF TYCO ELECTRONICS CORPORATION. IT IS SUBJECT TO CHANGE WITHOUT NOTICE AND WITHOUT OBLIGATION. SHOULD BE CONTACTED FOR THE LATEST REVISION.</small>		DWN: M.E. COWHER 07MAR2006 CHK: R.R. HENRY 07MAR2006 APPD: R.R. HENRY 07MAR2006	Tyco Electronics Harrisburg, PA 17105-3608
DIMENSIONS: mm 	TOLERANCES UNLESS OTHERWISE SPECIFIED: 9 PLC ± 1 PLC ±0.1 5 PLC ± 4 PLC ± ANGLES ± FINISH ±	NAME: EVERCLEAR Mini-SAS VERTICAL, INTERNAL SHELL ASSEMBLY PRODUCT SPEC: 108-2234 APPLICATION SPEC:	SIZE: A CAGE CODE: 100779 DRAWING NO: C=1888413 RESTRICTED TO:
MATERIAL:	FINISH:	WEIGHT:	SCALE: 6:1 SHEET 2 OF 2 REV A
CUSTOMER DRAWING			