



Chipsmall Limited consists of a professional team with an average of over 10 year of expertise in the distribution of electronic components. Based in Hongkong, we have already established firm and mutual-benefit business relationships with customers from,Europe,America and south Asia,supplying obsolete and hard-to-find components to meet their specific needs.

With the principle of "Quality Parts,Customers Priority,Honest Operation,and Considerate Service",our business mainly focus on the distribution of electronic components. Line cards we deal with include Microchip,ALPS,ROHM,Xilinx,Pulse,ON,Everlight and Freescale. Main products comprise IC,Modules,Potentiometer,IC Socket,Relay,Connector.Our parts cover such applications as commercial,industrial, and automotives areas.

We are looking forward to setting up business relationship with you and hope to provide you with the best service and solution. Let us make a better world for our industry!



Contact us

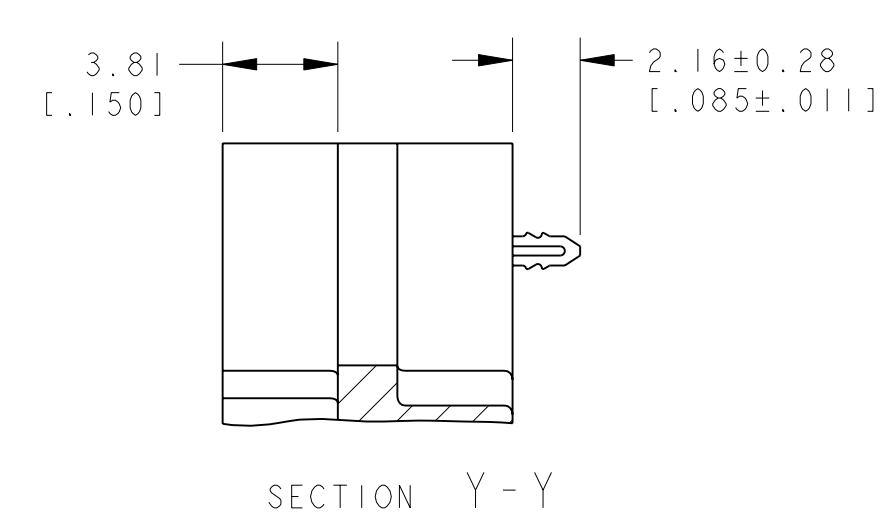
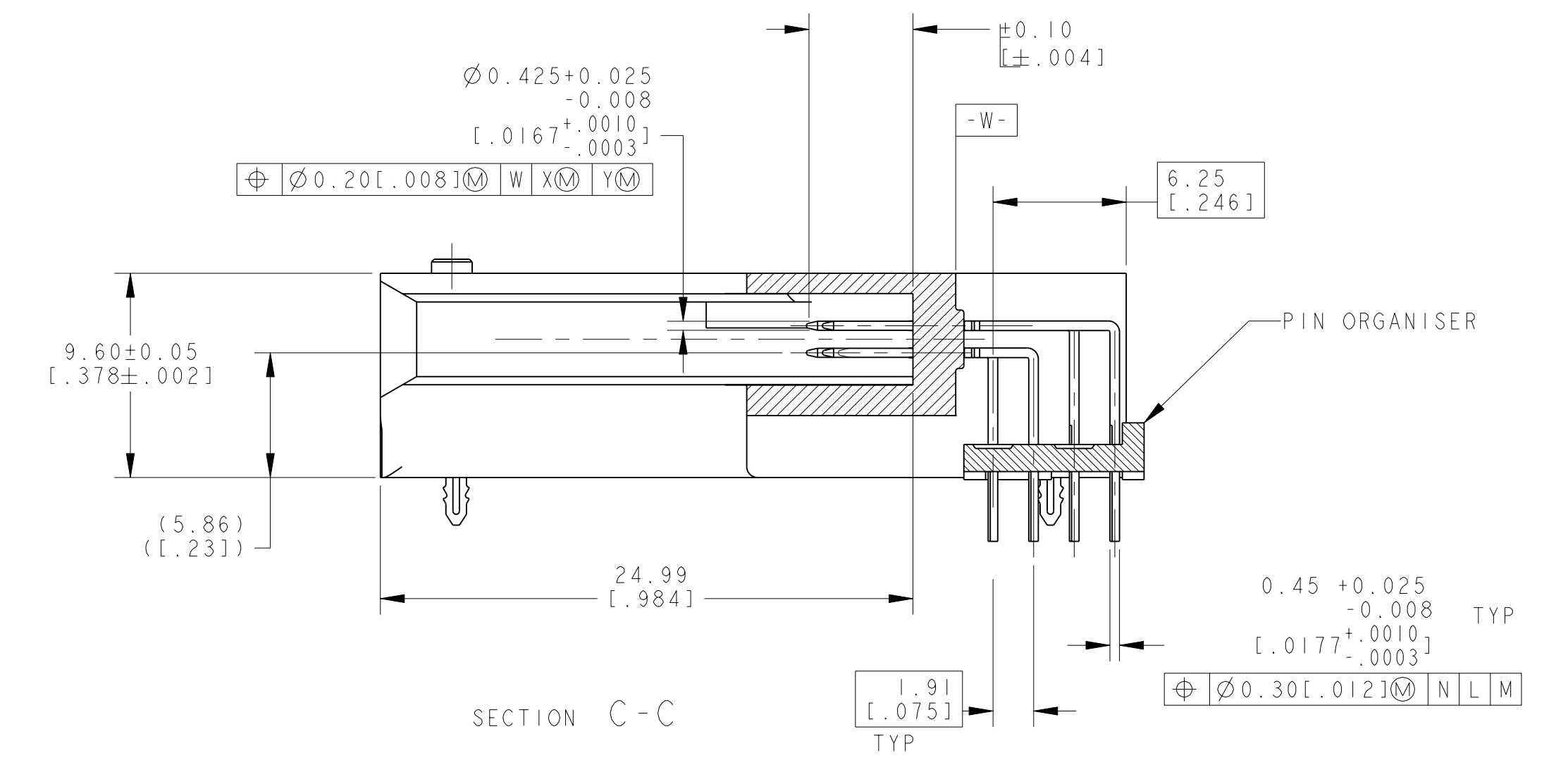
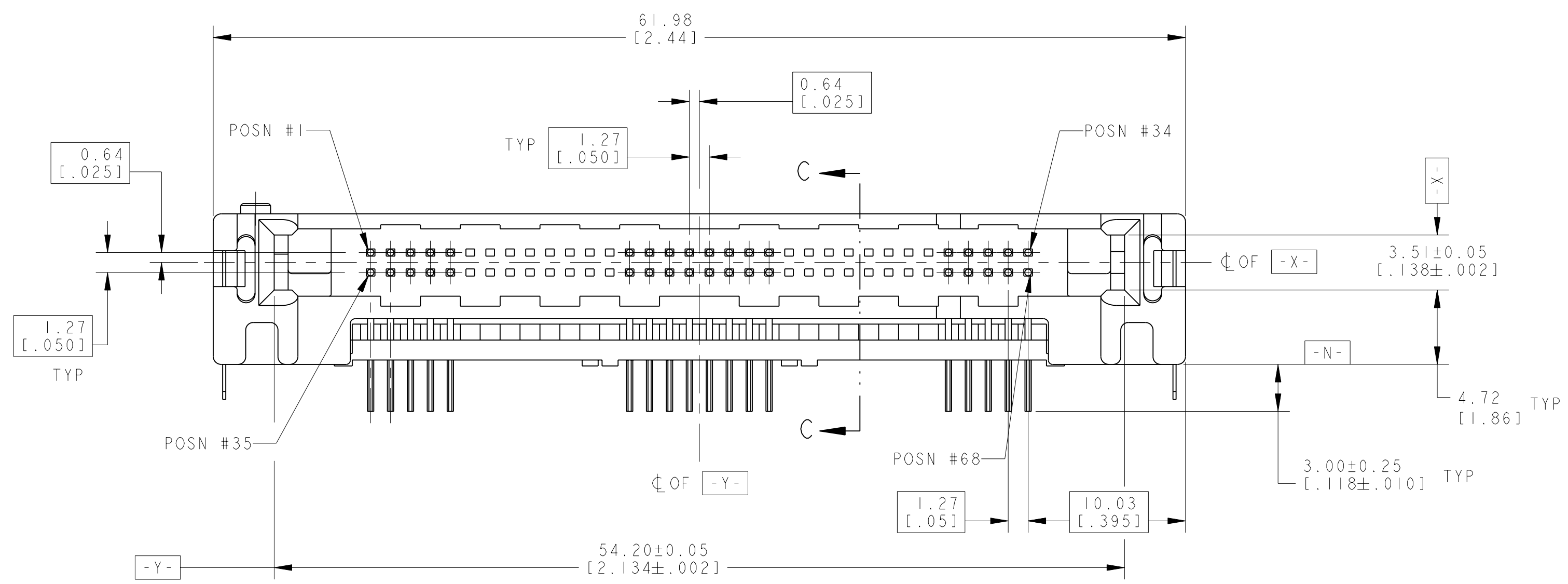
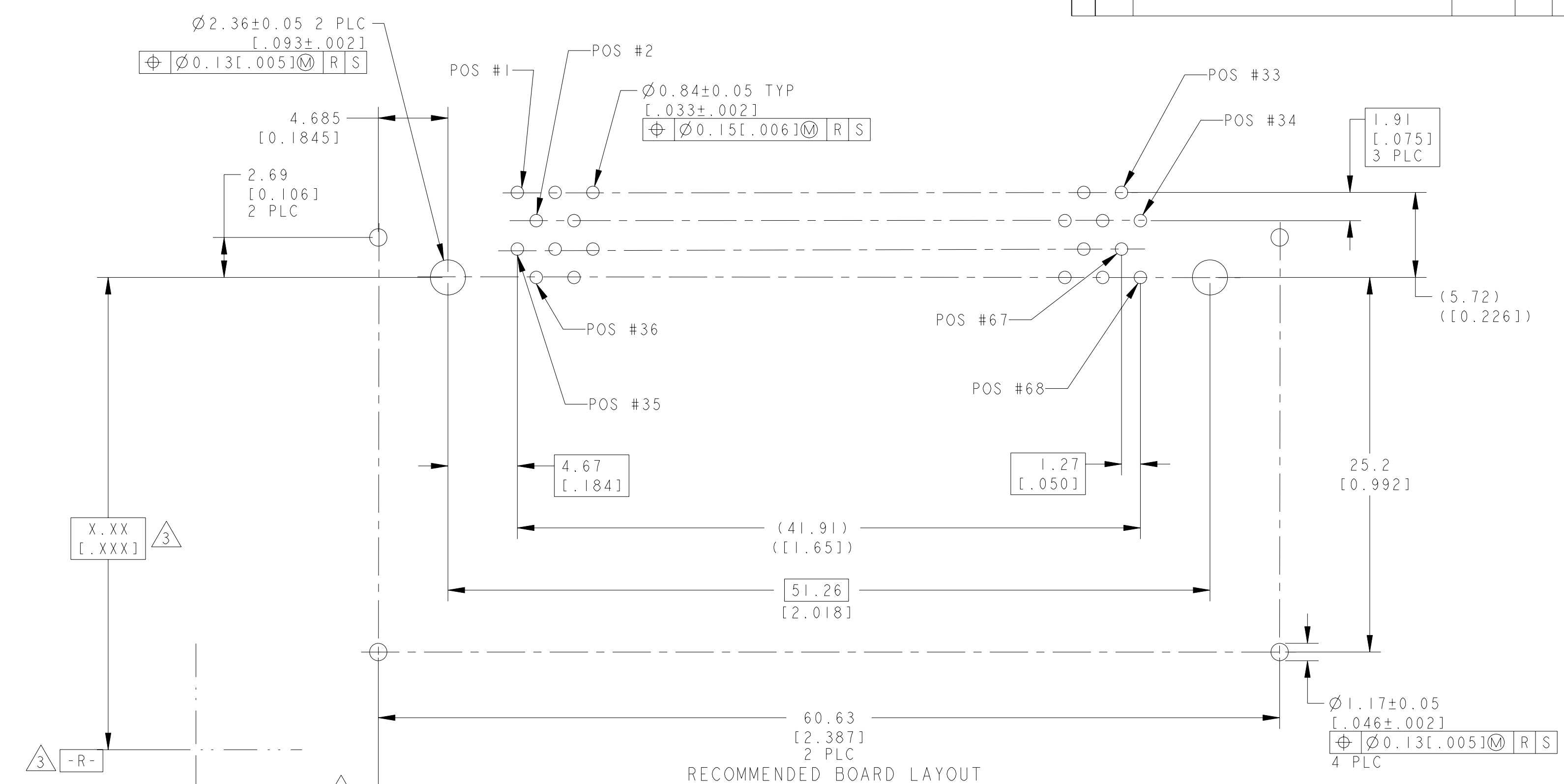
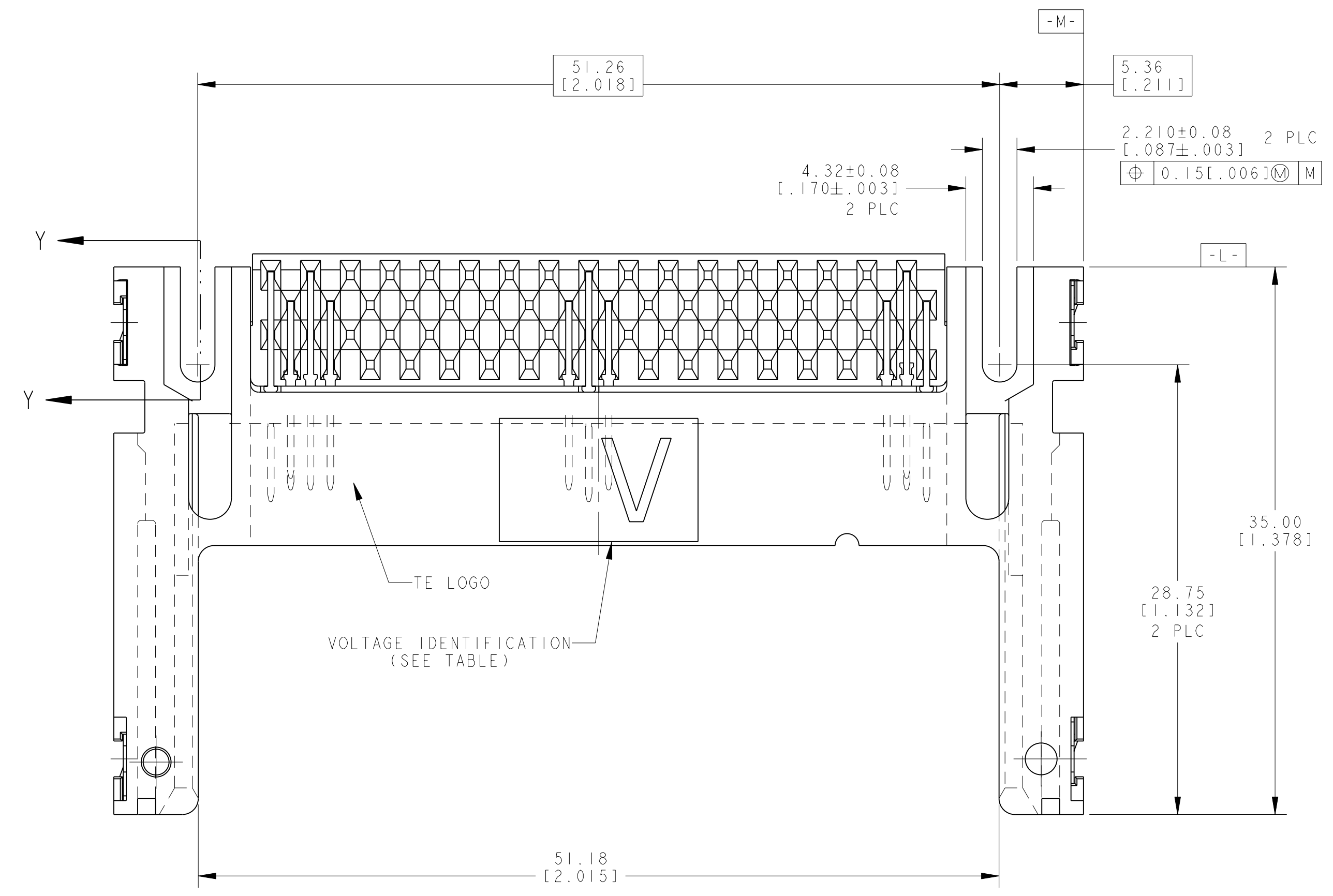
Tel: +86-755-8981 8866 Fax: +86-755-8427 6832

Email & Skype: info@chipsmall.com Web: www.chipsmall.com

Address: A1208, Overseas Decoration Building, #122 Zhenhua RD., Futian, Shenzhen, China



LOC		DIST		REVISIONS			
P	LTB	DESCRIPTION	DATE	DWN	APVD		
D		ECR-12-000167	05JAN2012	GG	RRP		



- NOTE
- △ PLATING: 0.03μ [0.007874μ] GOLD IN CONTACT AREA.
2μ [0.07874μ] TIN ON SOLDERTAILS
1.3μ [0.05118μ] - 4μ [0.1575μ] NICKEL ALL OVER
 - 2. CUSTOMER TO PROVIDE CARD GUIDANCE SYSTEM.
 - △ DATUMS AND BASIC DIMENSIONS ESTABLISHED BY CUSTOMER.
 - 4. CONNECTOR REQUIRES USE OF 2 - SIZE 2M SCREWS FOR FASTENING TO PRINTED CIRCUIT BOARD.
 - △ MATERIAL: HOUSING & ORGANISER : LCP, COLOR - BLACK
PIN : BRASS
HOLD-DOWN : PHOSPHOR BRONZE.
 - △ HOLD-DOWN : TIN PLATED
 - △ PLATING: 0.76μ [0.02992μ] GOLD IN CONTACT AREA.
2μ [0.07874μ] TIN ON SOLDERTAILS
1.3μ [0.05118μ] - 4μ [0.1575μ] NICKEL ALL OVER
 - △ PLATING: 0.08μ [0.00315μ] GOLD OVER 0.69μ PALLADIUM-NICKEL IN CONTACT AREA.
2μ [0.07874μ] TIN ON SOLDERTAILS
1.3μ [0.05118μ] - 4μ [0.1575μ] NICKEL ALL OVER

Symbol	LV	Pin Locations	Description	Length	Part Number
△8	LV	1, 17, 34, 35, 51, 68	ALL OTHER PINS	36.67	1888562-6
△7	LV	1, 17, 34, 35, 51, 68	ALL OTHER PINS	36.67	1888562-5
△8	5V	1, 17, 34, 35, 51, 68	ALL OTHER PINS	36.67	1888562-4
△7	5V	1, 17, 34, 35, 51, 68	ALL OTHER PINS	36.67	1888562-3
△1	LV	1, 17, 34, 35, 51, 68	ALL OTHER PINS	36.67	1888562-2
△1	5V	1, 17, 34, 35, 51, 68	ALL OTHER PINS	36.67	1888562-1
PLATING		VOLTAGE IDENTIFICATION	0.197 [5.0]	0.167 [4.25]	0.138 [3.5]
"L" (PIN LENGTH) AND LOCATION					

THIS DRAWING IS A CONTROLLED DOCUMENT. DWN: 5 Dec 2006
 Cdw: 5 Dec 2006
 APVD: Premjith

STE TE Connectivity

NAME: PIN HEADER ASSY, 68 POS RAISED HT, TOP BRD MTG, THRU HOLE, WITH HOLD-DOWN, MEMORY CARD

SIZE: A100779 C=1888562

SCALE: 4:1 SHEET 1 OF 1 REV D