



Chipsmall Limited consists of a professional team with an average of over 10 year of expertise in the distribution of electronic components. Based in Hongkong, we have already established firm and mutual-benefit business relationships with customers from,Europe,America and south Asia,supplying obsolete and hard-to-find components to meet their specific needs.

With the principle of "Quality Parts,Customers Priority,Honest Operation,and Considerate Service",our business mainly focus on the distribution of electronic components. Line cards we deal with include Microchip,ALPS,ROHM,Xilinx,Pulse,ON,Everlight and Freescale. Main products comprise IC,Modules,Potentiometer,IC Socket,Relay,Connector.Our parts cover such applications as commercial,industrial, and automotives areas.

We are looking forward to setting up business relationship with you and hope to provide you with the best service and solution. Let us make a better world for our industry!



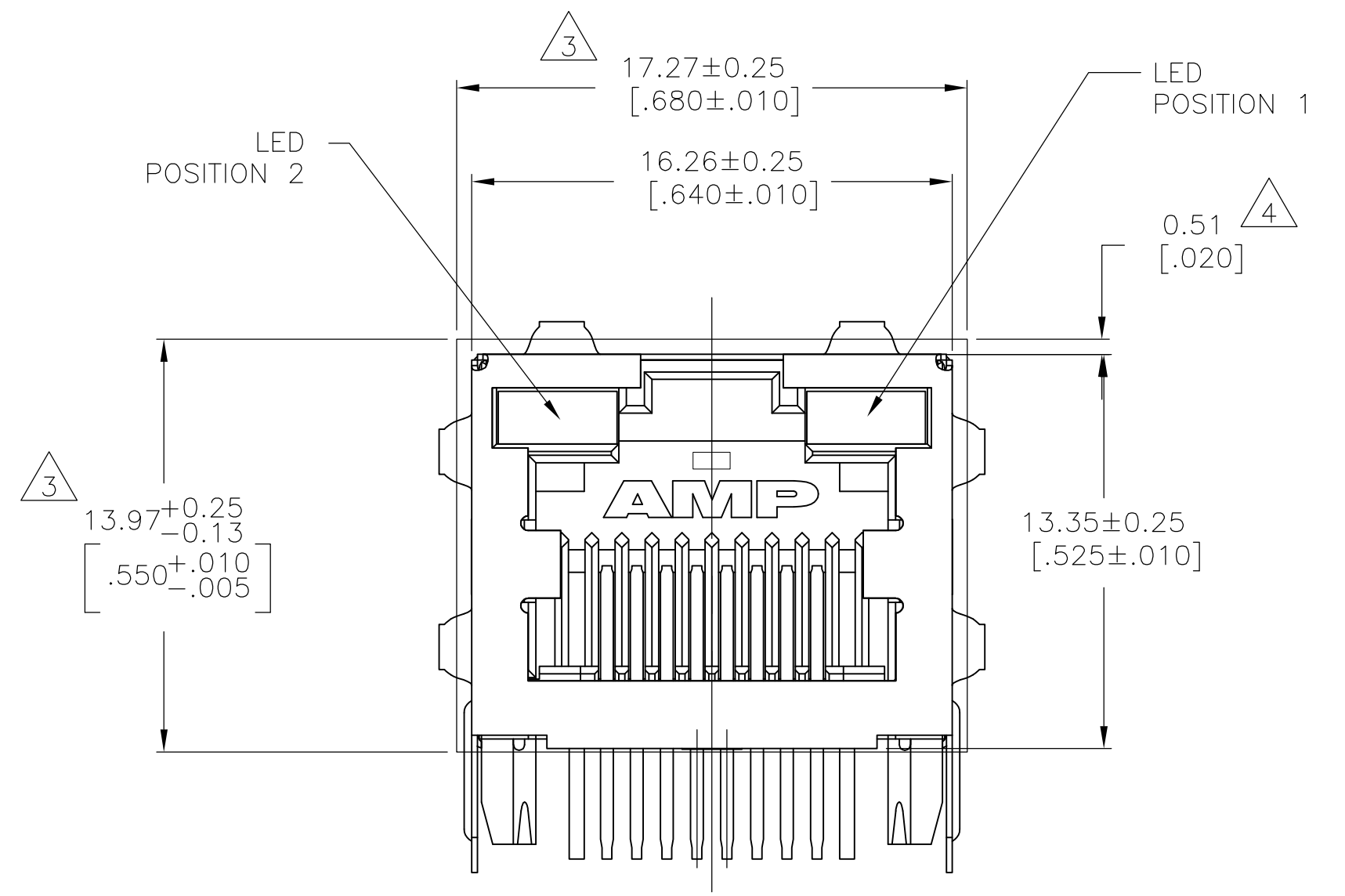
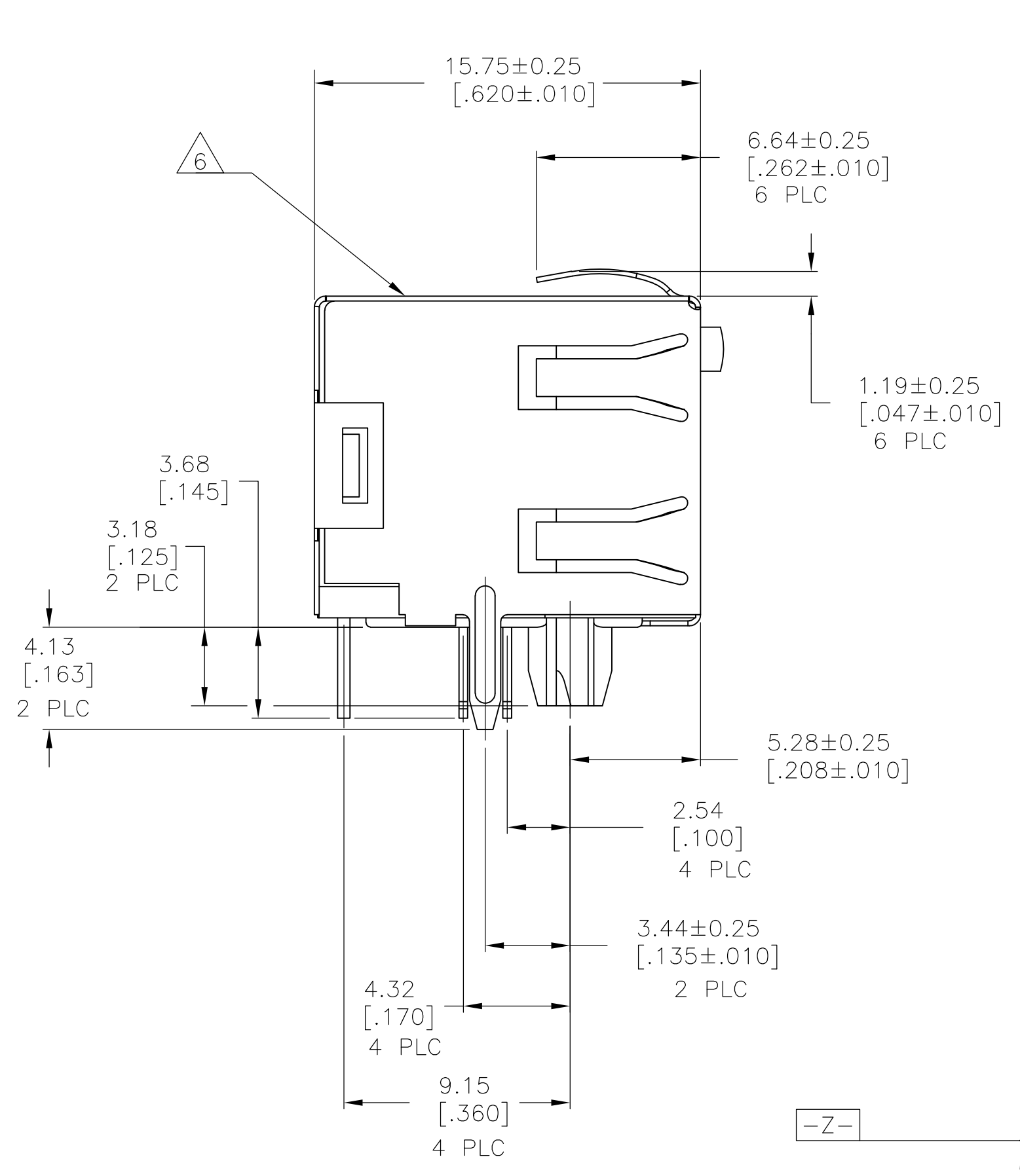
## Contact us

Tel: +86-755-8981 8866 Fax: +86-755-8427 6832

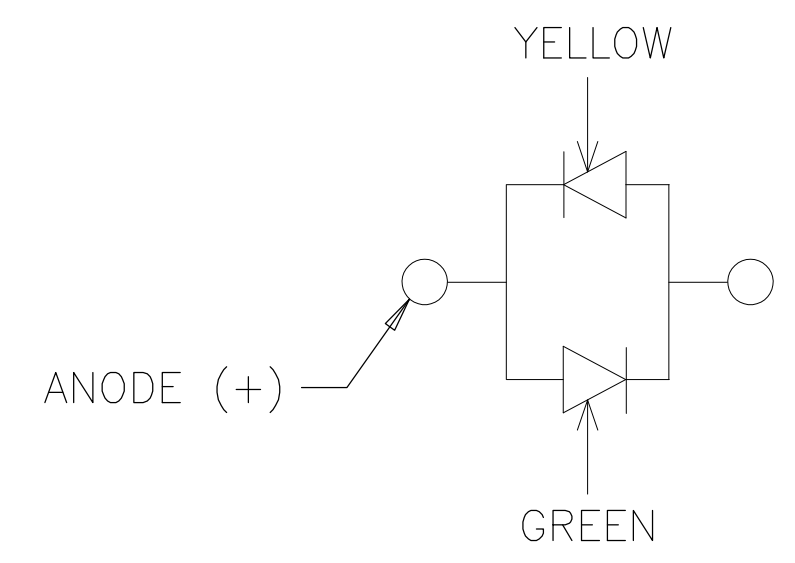
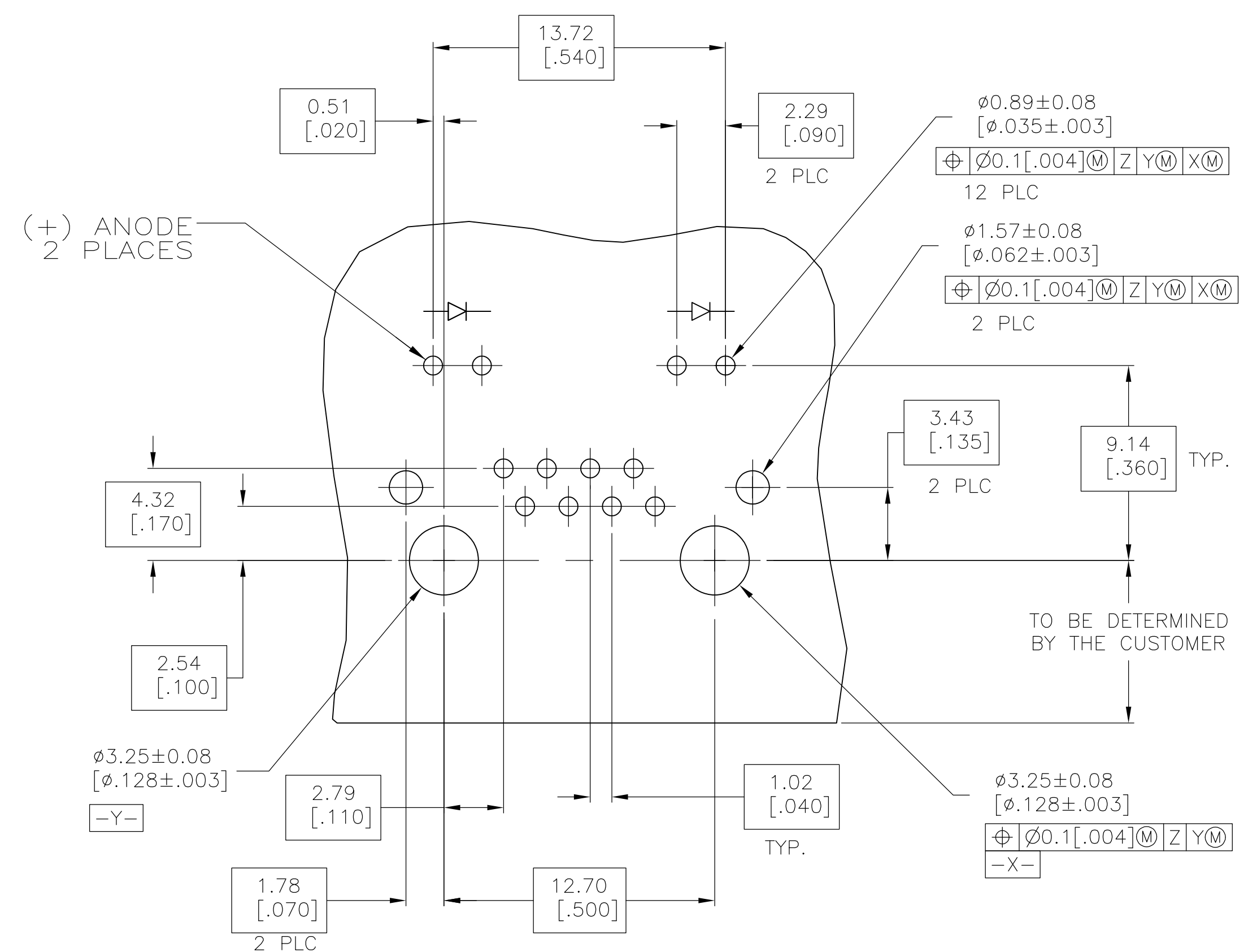
Email & Skype: info@chipsmall.com Web: www.chipsmall.com

Address: A1208, Overseas Decoration Building, #122 Zhenhua RD., Futian, Shenzhen, China





- 1 MATERIAL: HOUSING - HIGH TEMPERATURE THERMOPLASTIC, BLACK, UL94V-0.  
 TERMINALS - 0.36[.014] THICK PHOS BRONZE PLATED WITH 3.81μm[.000150] MINIMUM THICK MATTE TIN IN SOLDER AREA. 1.27μm [.000050] MINIMUM GOLD IN LOCALIZED PLATE AREA. ENTIRE TERMINAL PLATED WITH 1.27μm [.000050] MINIMUM THICK NICKEL.  
 SHIELD - 0.196[.0077] THICK COPPER ZINC ALLOY PREPLATED WITH 1.27μm[.000050] MINIMUM SATIN NICKEL WITH 2.03μm[.000080] MINIMUM TIN POST DIPPED ON PCB GROUND TABS.  
 LIGHT EMITTING DIODE (LED) - DIFFUSED EPOXY LENS, 0.51 x 0.51[.020 x .020] CARBON STEEL WIREFRAME LEADS - 8.89μm[.000350] THICK Sn/Cu OVER 2.03μm[.000080] THICK Ag OVER 1.02μm[.000040] THICK Cu OVER 3.56μm[.000140] THICK Ni OVER 1.02μm[.000040] THICK Cu UNDERPLATE
2. JACK CAVITY CONFORMS TO FCC RULES AND REGULATIONS PART 68, SUBPART F.
- 3 SUGGESTED PANEL OPENING DIMENSIONS.
- 4 SUGGESTED CLEARANCE BETWEEN TOP OF CONNECTOR AND TOP PANEL OPENING.
5. THIS MODULAR JACK WITH INTEGRATED LED IS NOT IR REFLOW SOLDERING PROCESS COMPATIBLE.
- 6 MANUFACTURING DATE CODE: LOCATED APPROX. AS SHOWN.  
 FIRST 2 DIGITS = LAST 2 DIGITS OF YEAR.  
 NEXT 2 DIGITS = MANUFACTURING WORK WEEK.  
 LAST DIGIT = DAY OF WEEK WITH SUNDAY = 1.



SUGGESTED PRINTED CIRCUIT BOARD LAYOUT (COMPONENT SIDE)

YELLOW	GREEN	1888566-2
YELLOW/GREEN	YELLOW/GREEN	1888566-1
POSITION 2	POSITION 1	PART NUMBER
INDICATOR COLOR		

THIS DRAWING IS A CONTROLLED DOCUMENT.		DWN: R. GRZYBOWSKI / L. A. MAYER 20JUNE2006		Tyco Electronics Corporation Harrisburg, Pa 17105-3608	
DIMENSIONS: mm [INCHES]		TOLERANCES UNLESS OTHERWISE SPECIFIED:		NAME: S. FLICKINGER 20JUNE2006	
0 PLC ± -		1 PLC ± -		PRODUCT SPEC: 108-1163-4	
2 PLC ± 0.25[.01]		3 PLC ± 0.13[.005]		APPLICATION SPEC: 114-2154	
4 PLC ± -		ANGLES ± -		SIZE: A1	
MATERIAL: SEE NOTE 1		FINISH: SEE NOTE 1		CAGE CODE: 00779	
				DRAWING NO: 1888566	
				RESTRICTED TO: -	
				CUSTOMER DRAWING	
				SCALE: 4:1	
				SHEET: 1 OF 1	
				REV: C1	