



Chipsmall Limited consists of a professional team with an average of over 10 year of expertise in the distribution of electronic components. Based in Hongkong, we have already established firm and mutual-benefit business relationships with customers from,Europe,America and south Asia,supplying obsolete and hard-to-find components to meet their specific needs.

With the principle of “Quality Parts,Customers Priority,Honest Operation,and Considerate Service”,our business mainly focus on the distribution of electronic components. Line cards we deal with include Microchip,ALPS,ROHM,Xilinx,Pulse,ON,Everlight and Freescale. Main products comprise IC,Modules,Potentiometer,IC Socket,Relay,Connector.Our parts cover such applications as commercial,industrial, and automotives areas.

We are looking forward to setting up business relationship with you and hope to provide you with the best service and solution. Let us make a better world for our industry!



## Contact us

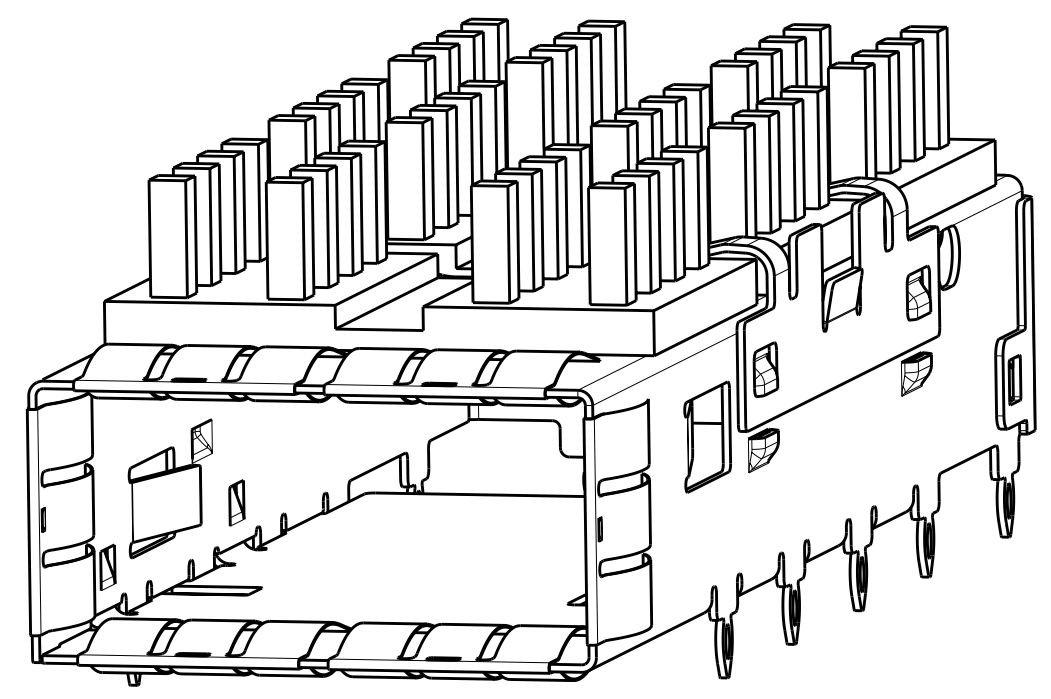
Tel: +86-755-8981 8866 Fax: +86-755-8427 6832

Email & Skype: info@chipsmall.com Web: www.chipsmall.com

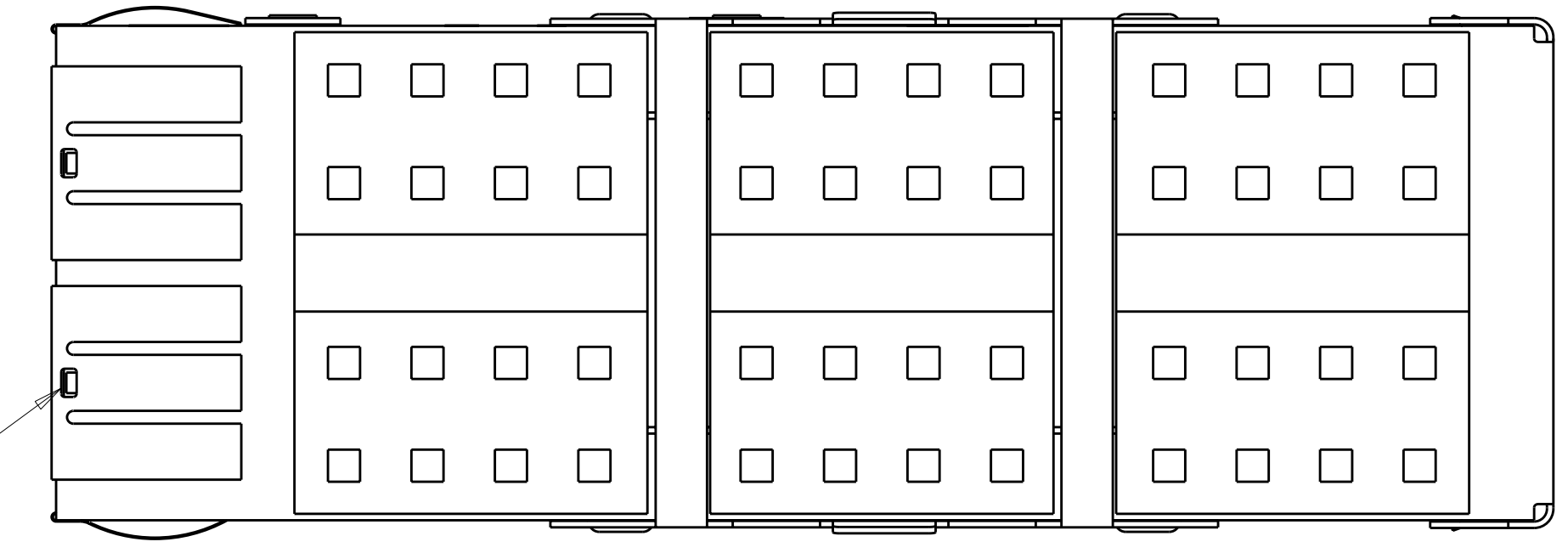
Address: A1208, Overseas Decoration Building, #122 Zhenhua RD., Futian, Shenzhen, China



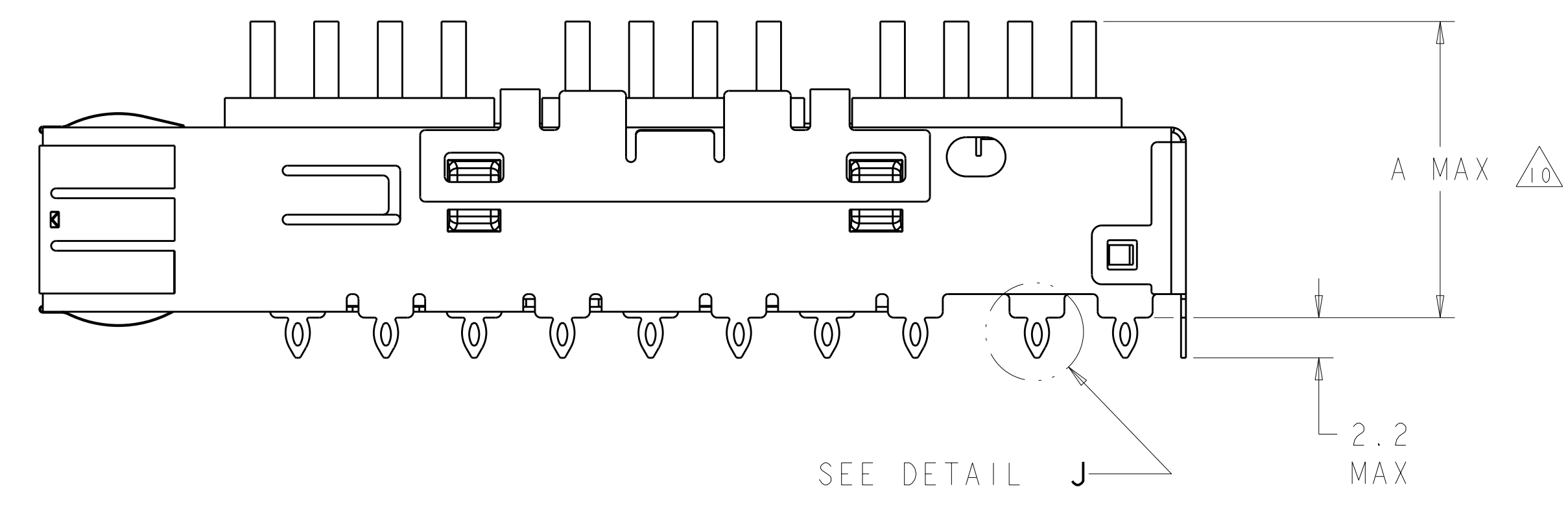
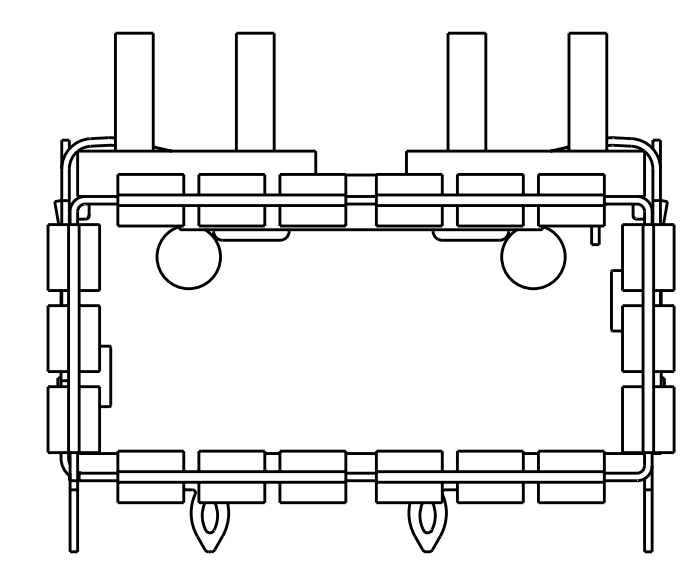
LOC	DIST	REVISIONS			
REV	DATE	BY	APPD	DESCRIPTION	
GP	00	B		REV PER ECO-09-020440	11SEP2009 CR JP



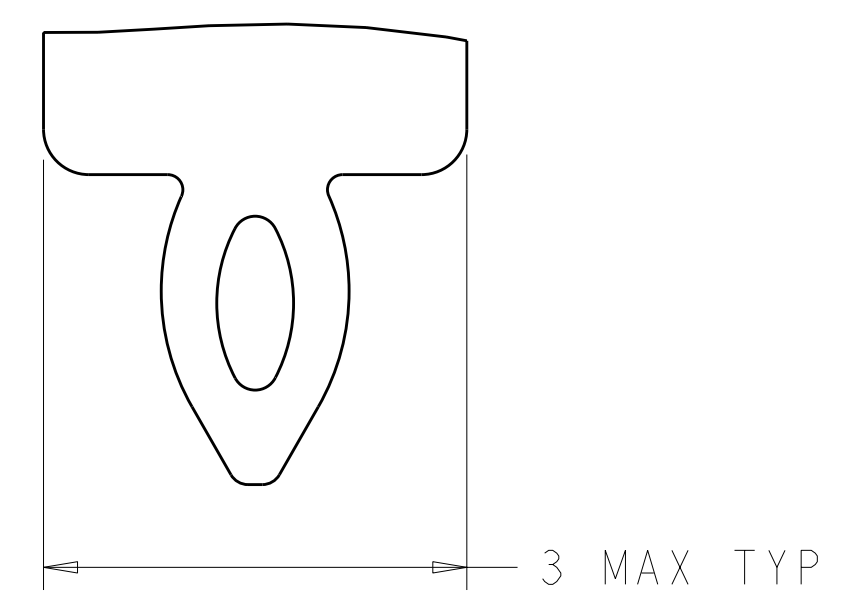
Sn42Bi58 SOLDER  
6 PLACES



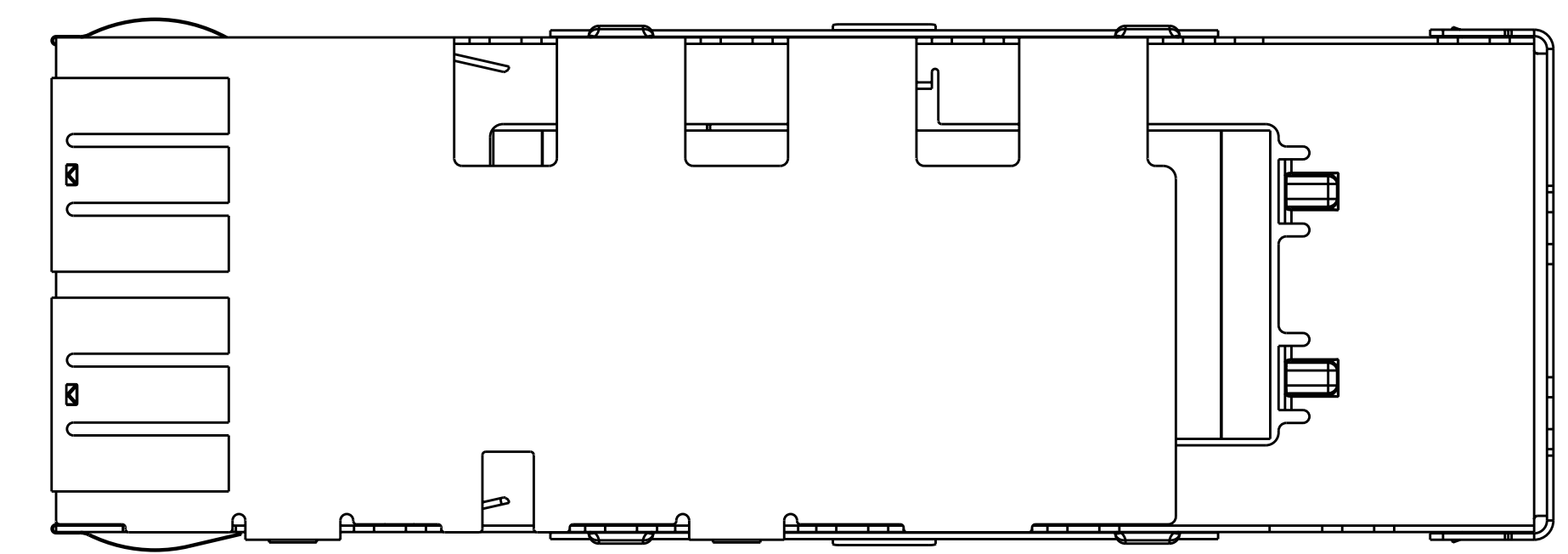
- 1. CAGE MATERIAL: NICKEL SILVER, 0.25 THICK  
 HEAT SINK MATERIAL: ALUMINUM  
 HEAT SINK CLIP MATERIAL: STAINLESS STEEL  
 EMI SPRINGS MATERIAL: COPPER ALLOY
  - 2. MINIMUM PITCH DIMENSION.
  - 3. MATES WITH QSFP MSA COMPATIBLE TRANSCEIVER.
  - 4. REFERENCE APPLICATION SPEC 114-13217 FOR RECOMMENDED DRILL HOLE DIAMETER AND PLATING THICKNESS.
  - 5. DATUMS AND BASIC DIMENSIONS ESTABLISHED BY CUSTOMER.
  - 6. MINIMUM PC BOARD THICKNESS:  
 SINGLE SIDED = 1.45mm (shown, pg. 4)  
 DOUBLE SIDED = 2.2mm
  - 7. HEATSINK AND CLIP SHIPPED ASSEMBLED TO CAGE ASSEMBLY. CAGE ASSEMBLY MAY BE PRESSED INTO THE PCB AS SHIPPED.
  - 8. DATUM [-A-] IS TOP SURFACE OF HOST BOARD.
  - 9. SURFACE TRACES PERMITTED WITHIN THIS AREA EXCEPT WHERE CAGE STANDOFFS, SHOWN IN DETAIL J, CONTACT PC BOARD.
  - 10. DIMENSION APPLIES WITH MODULE INSTALLED IN THE CAGE.
  - 11. DATE CODE (YYWWD) MARKED ON TOP OF CAGE AND CONCEALED BY HEAT SINK APPLIES TO CAGE ASSEMBLY ONLY.
  - 12. SPRING FINISH: 0.8µm MIN TIN OVER 0.8µm MIN NICKEL. NON-PLATED EDGES PERMISSIBLE.  
 HEAT SINK FINISH: 0.076 µm MIN NICKEL.
13. PRODUCT HAS NOT COMPLETED QUALIFICATION TESTING.



SEE DETAIL J



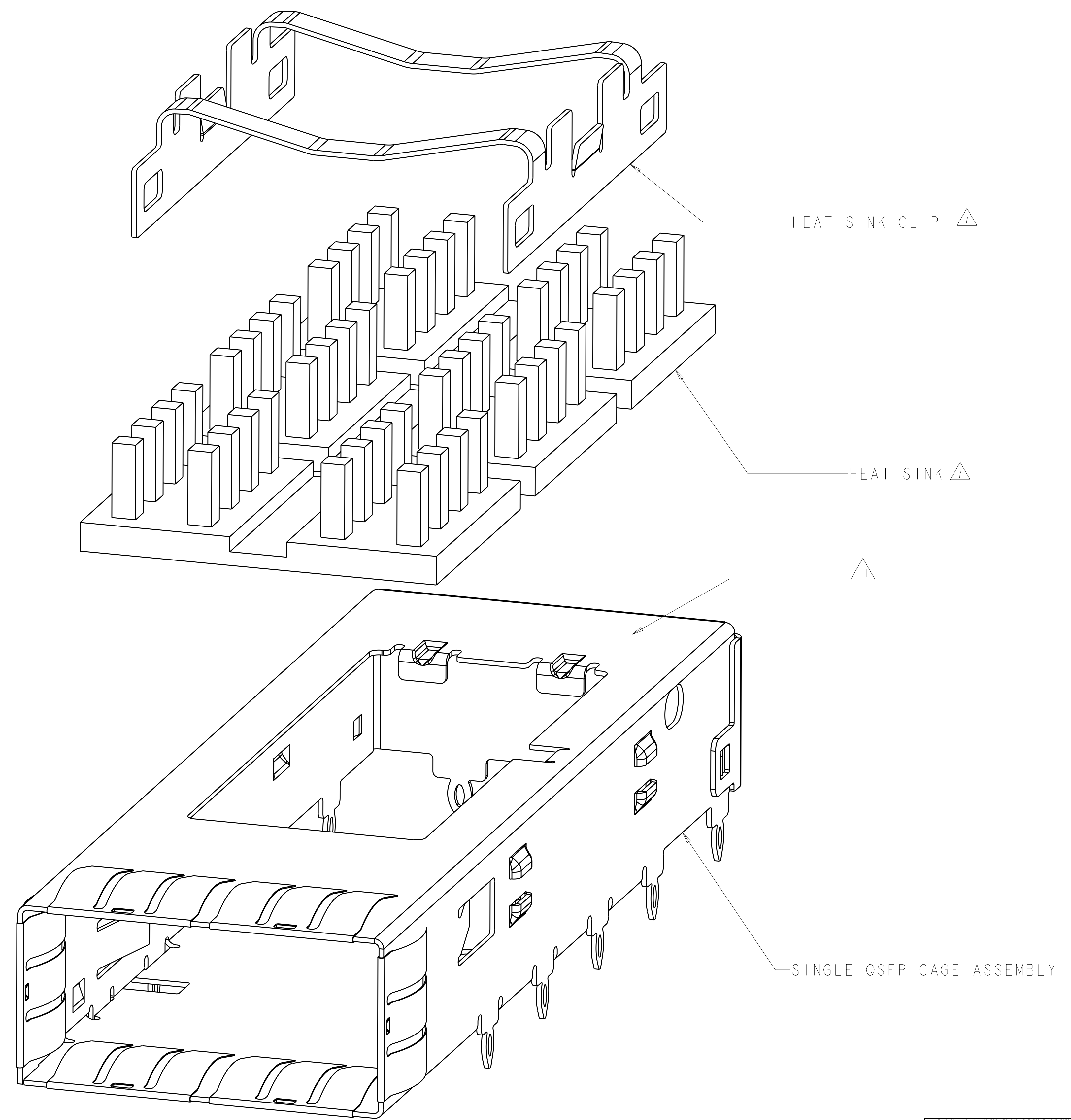
DETAIL J  
SCALE 20:1



DESCRIPTION	PART NUMBER
23.0 NETWORKING HEAT SINK	1888631-3
16.0 SAN HEAT SINK (SHOWN)	1888631-2
13.7 PCI HEAT SINK	1888631-1

DIMENSIONS: mm		TOLERANCES UNLESS OTHERWISE SPECIFIED: 9 PLC ± 1 PLC ±0.25 2 PLC ±0.13 3 PLC ± 4 PLC ± ANGLES ±		DWN B MCMASTER DTSEP06 CHK E J BRIGHT DTSEP06 APVD E J BRIGHT DTSEP06		Tyco Electronics Harrisburg, PA 17105-3608	
MATERIAL:		FINISH:		PRODUCT SPEC: 108-2286 APPLICATION SPEC: 114-13217		NAME: CAGE ASSEMBLY, THRU BEZEL, QSFP, WITH HEAT SINK SIZE: CAGE CODE DRAWING NO: A100779C=1888631 RESTRICTED TO:	
CUSTOMER DRAWING				SCALE: 4:1		SHEET 1 OF 4 REV B	

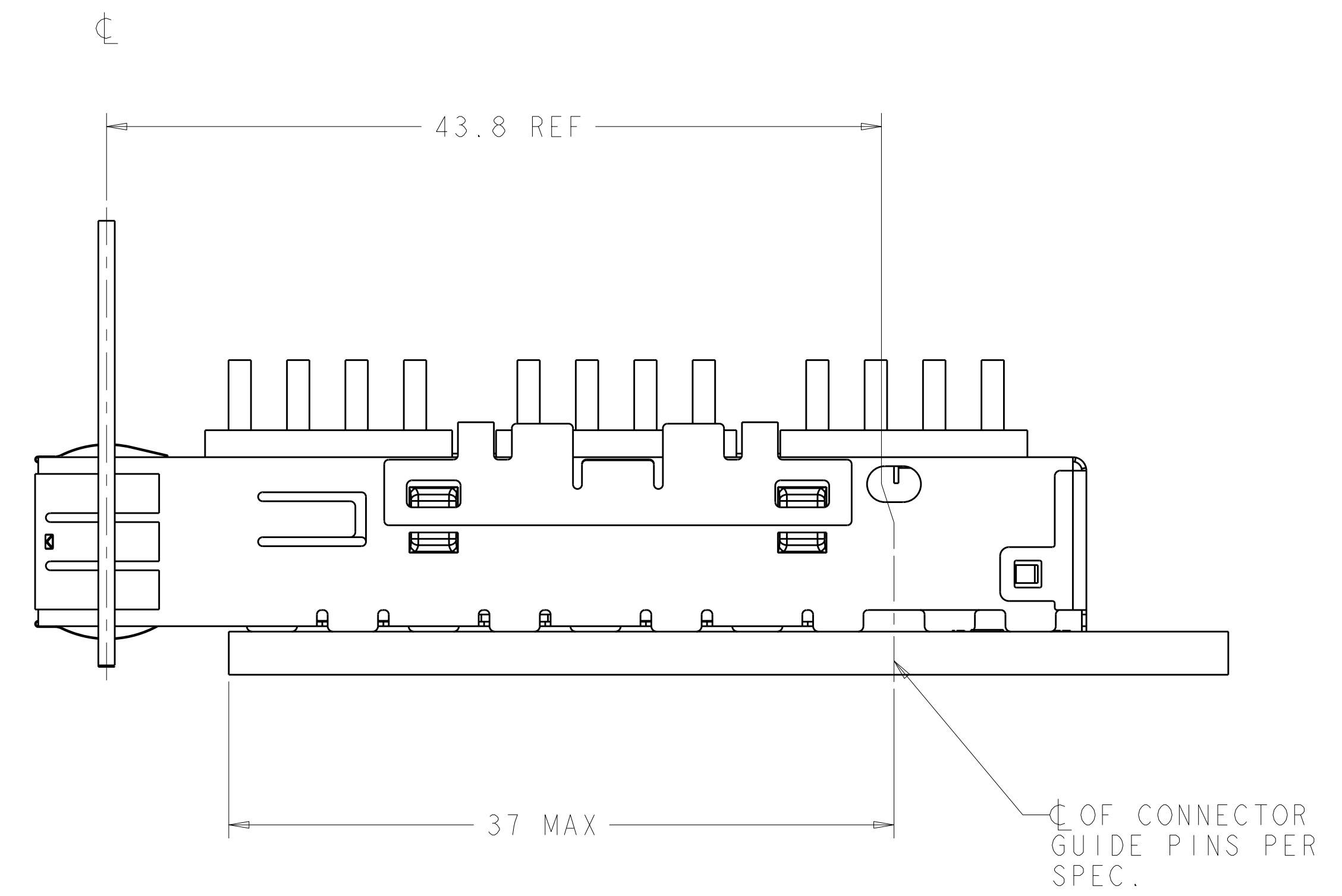
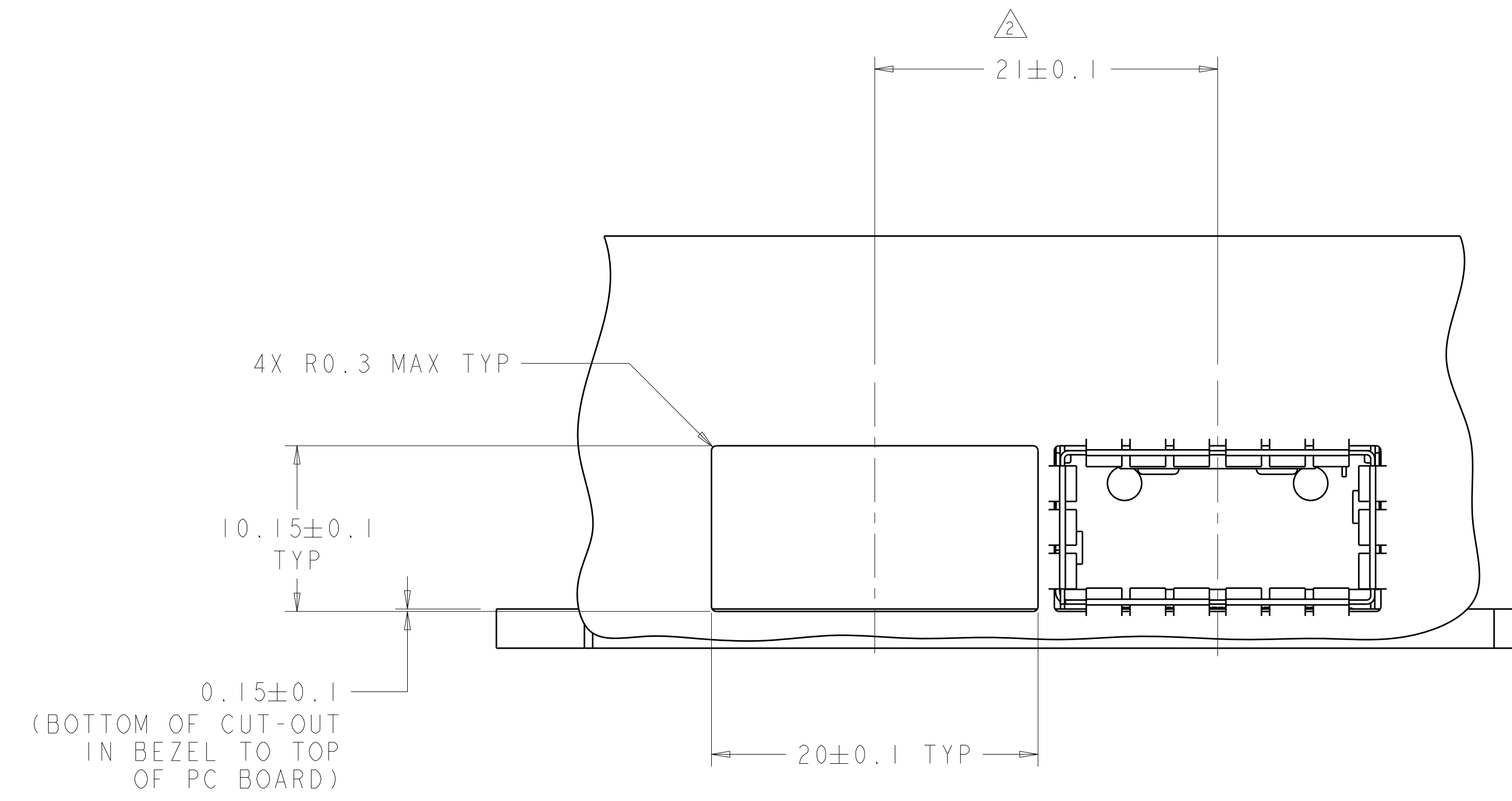
LOC	DIST	REVISIONS			
P	LTR	DESCRIPTION	DATE	DWN	APVD
GP	00	SEE SHEET 1	-	-	-



EXPLODED ASSEMBLY  
 SCALE 8:1

<small>THIS DRAWING IS UNPUBLISHED. RELEASED FOR PUBLICATION 2007. IT IS SUBJECT TO CHANGE WITHOUT NOTICE AND WITHOUT OBLIGATION. SHOULD BE CONTACTED FOR THE LATEST REVISION.</small>		DWN B. MCMASTER OTSEP06 CHK E. J. BRIGHT OTSEP06 APVD E. J. BRIGHT OTSEP06	<b>Tyco Electronics</b> Tyco Electronics Harrisburg, PA 17105-3608
DIMENSIONS: mm	TOLERANCES UNLESS OTHERWISE SPECIFIED: 9 PLC ±. 1 PLC ±0.25 2 PLC ±0.13 3 PLC ±. 4 PLC ±. ANGLES ±. FINISH	PRODUCT SPEC 108-2286 APPLICATION SPEC 114-13217 WEIGHT CUSTOMER DRAWING	NAME CAGE ASSEMBLY, THRU BEZEL, QSFP, WITH HEAT SINK SIZE CAGE CODE DRAWING NO. RESTRICTED TO A 100779 C-1888631 SCALE 4:1 SHEET 2 OF 4 REV B

LOC	DIST	REVISIONS					
GP	00	P	LTB	DESCRIPTION	DATE	DWN	APVD
		-	-	SEE SHEET 1	-	-	-



DIMENSIONS: mm 		TOLERANCES UNLESS OTHERWISE SPECIFIED: 9 PLC ± 8 PLC ±0.25 5 PLC ±0.13 4 PLC ± ANGLES ± FINISH ±		DWN B. MCMASTER DTSEP06 CHK E. J. BRIGHT DTSEP06 APVD E. J. BRIGHT DTSEP06 PRODUCT SPEC 108-2286 APPLICATION SPEC 114-13217 WEIGHT CUSTOMER DRAWING		Tyco Electronics Harrisburg, PA 17105-3608 NAME CAGE ASSEMBLY, THRU BEZEL, QSFP, WITH HEAT SINK SIZE CAGE CODE DRAWING NO RESTRICTED TO A 100779 C-1888631 SCALE 4:1 SHEET 3 OF 4 REV B	
-----------------------	--	--	--	---	--	--	--

