



Chipsmall Limited consists of a professional team with an average of over 10 year of expertise in the distribution of electronic components. Based in Hongkong, we have already established firm and mutual-benefit business relationships with customers from,Europe,America and south Asia,supplying obsolete and hard-to-find components to meet their specific needs.

With the principle of “Quality Parts,Customers Priority,Honest Operation,and Considerate Service”,our business mainly focus on the distribution of electronic components. Line cards we deal with include Microchip,ALPS,ROHM,Xilinx,Pulse,ON,Everlight and Freescale. Main products comprise IC,Modules,Potentiometer,IC Socket,Relay,Connector.Our parts cover such applications as commercial,industrial, and automotives areas.

We are looking forward to setting up business relationship with you and hope to provide you with the best service and solution. Let us make a better world for our industry!



Contact us

Tel: +86-755-8981 8866 Fax: +86-755-8427 6832

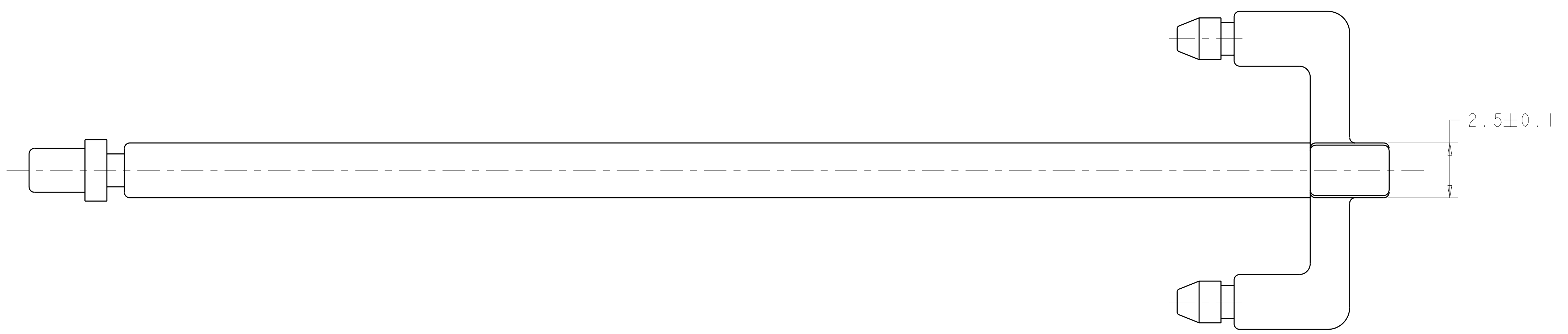
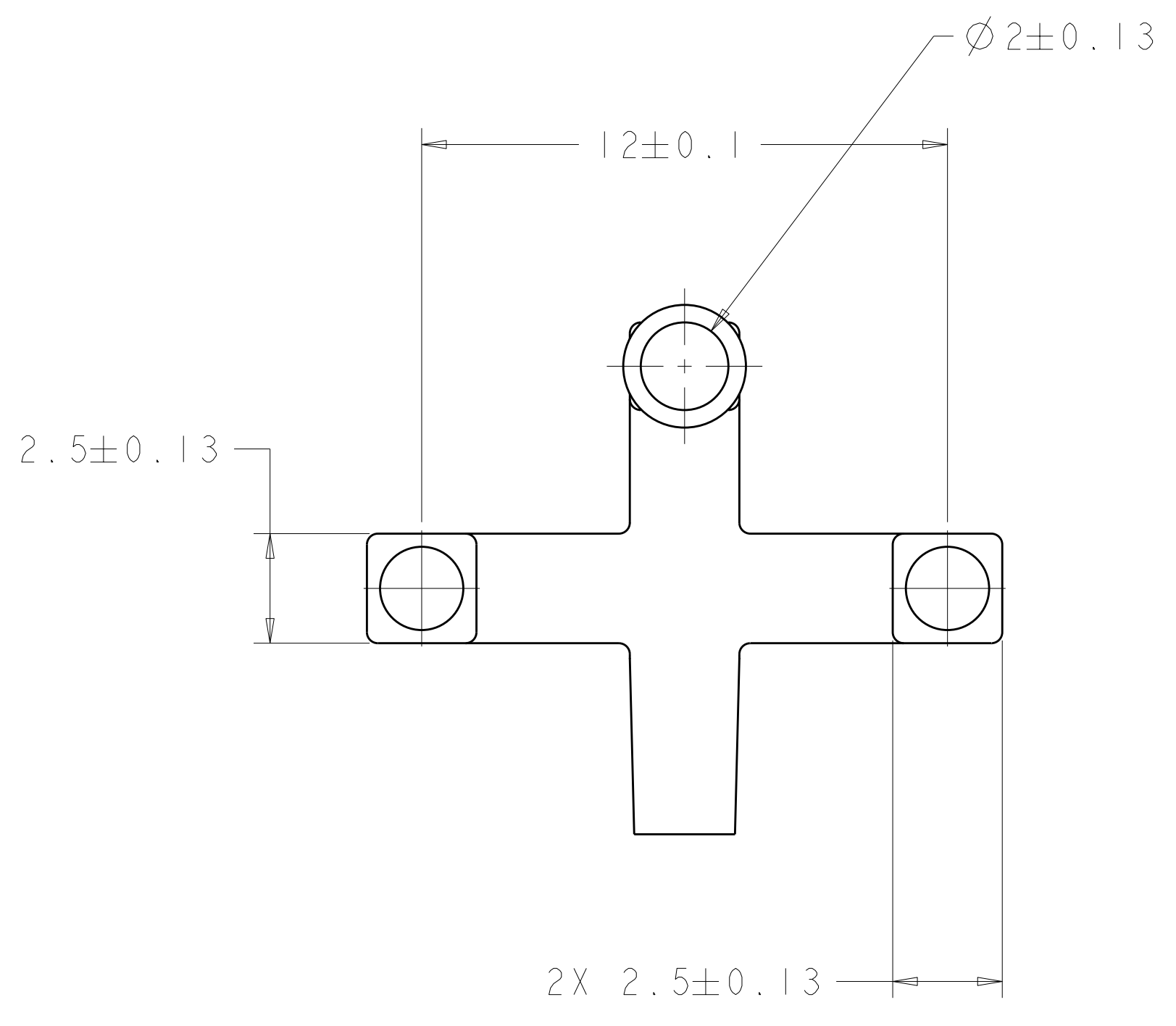
Email & Skype: info@chipsmall.com Web: www.chipsmall.com

Address: A1208, Overseas Decoration Building, #122 Zhenhua RD., Futian, Shenzhen, China



LOC	DIST	REV	DATE	BY	CHKD	APVD
GP	00	A	30SEP2008	CJV	JRP	

△ MATERIAL: POLYCARBONATE, CLEAR UL94V-2 RATED.



1888634-1
PART NUMBER

DIMENSIONS: mm 		TOLERANCES UNLESS OTHERWISE SPECIFIED: 0 PLC ± 1 PLC ± 2 PLC ± 3 PLC ± 4 PLC ± ANGLES ± FINISH -		DWN B. MCMASTER 04OCT06 CHK E. BRIGHT 04OCT06 APVD F. BRIGHT 04OCT06		Tyco Electronics Harrisburg, PA 17105-3608	
MATERIAL △		PRODUCT SPEC APPLICATION SPEC 114-13217 WEIGHT -		NAME LIGHT PIPE, SINGLE, THRU BEZEL, OSFP		SIZE CAGE CODE DRAWING NO RESTRICTED TO A 100779 C=1888634 -	
CUSTOMER DRAWING				SCALE 8:1		SHEET 1 OF 1 REV A	