



Chipsmall Limited consists of a professional team with an average of over 10 year of expertise in the distribution of electronic components. Based in Hongkong, we have already established firm and mutual-benefit business relationships with customers from,Europe,America and south Asia,supplying obsolete and hard-to-find components to meet their specific needs.

With the principle of “Quality Parts,Customers Priority,Honest Operation,and Considerate Service”,our business mainly focus on the distribution of electronic components. Line cards we deal with include Microchip,ALPS,ROHM,Xilinx,Pulse,ON,Everlight and Freescale. Main products comprise IC,Modules,Potentiometer,IC Socket,Relay,Connector.Our parts cover such applications as commercial,industrial, and automotives areas.

We are looking forward to setting up business relationship with you and hope to provide you with the best service and solution. Let us make a better world for our industry!



## Contact us

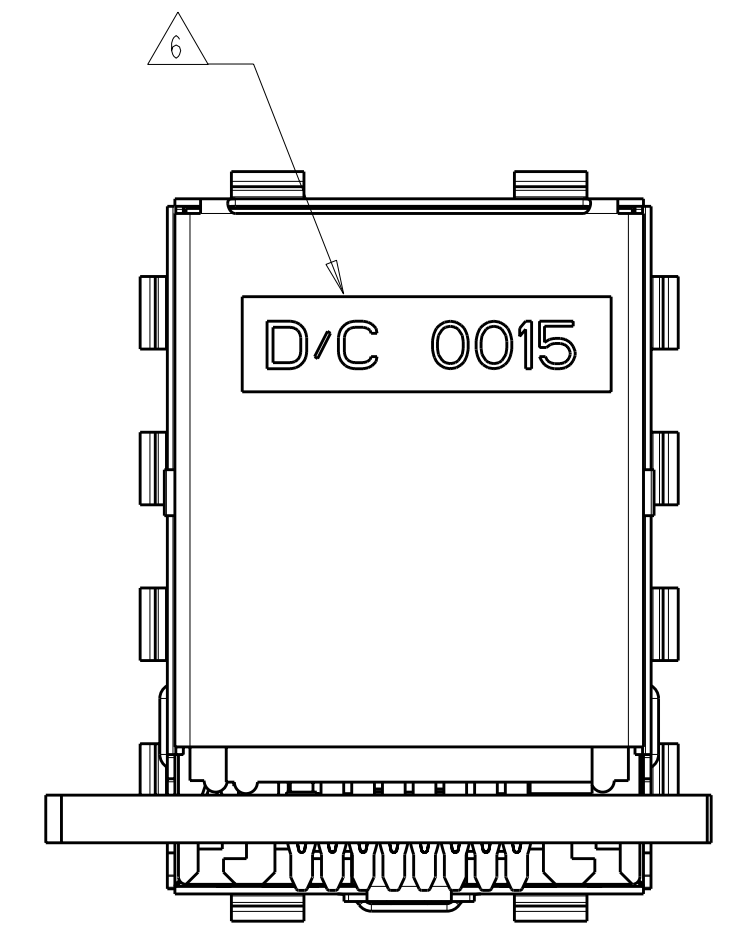
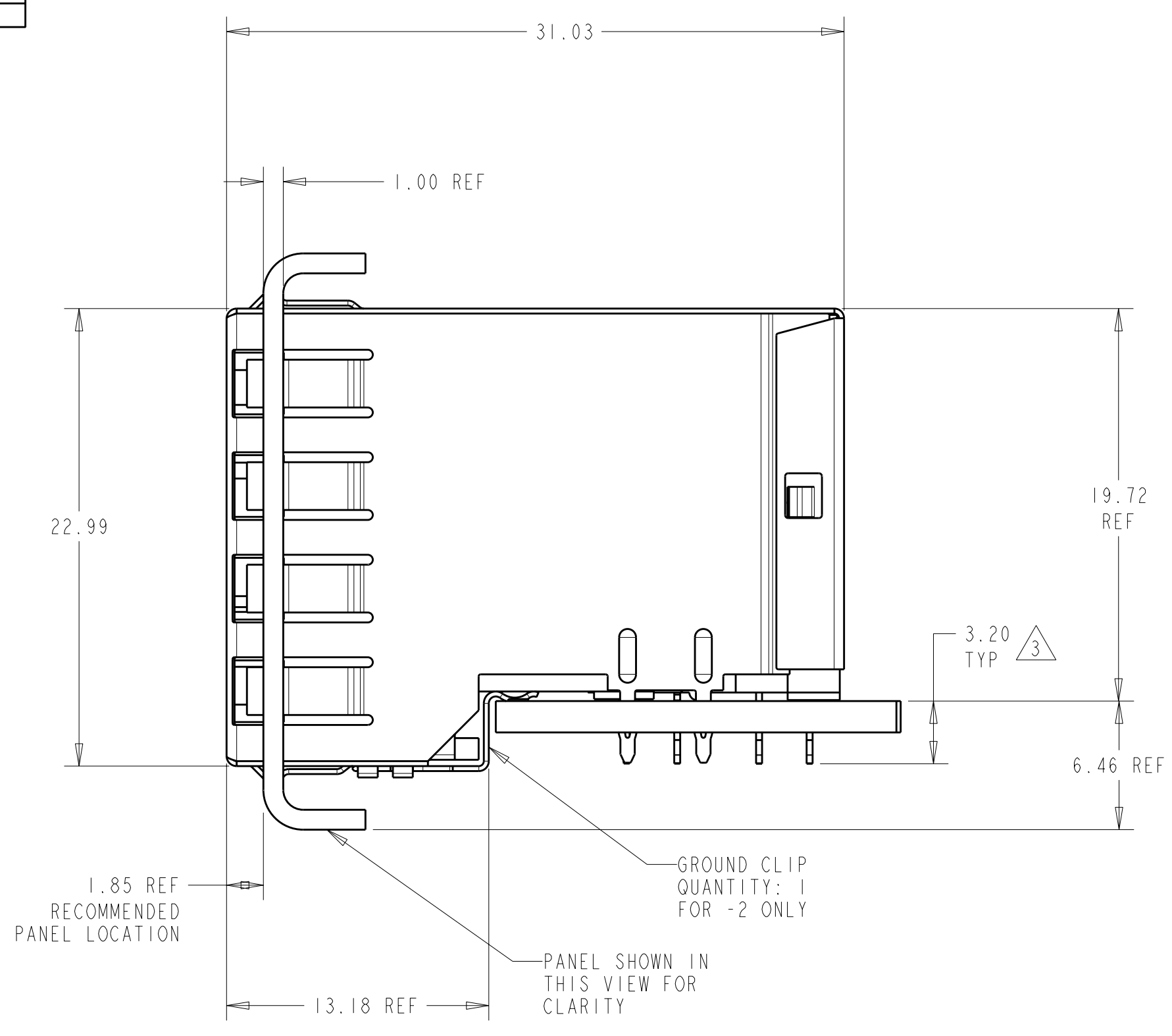
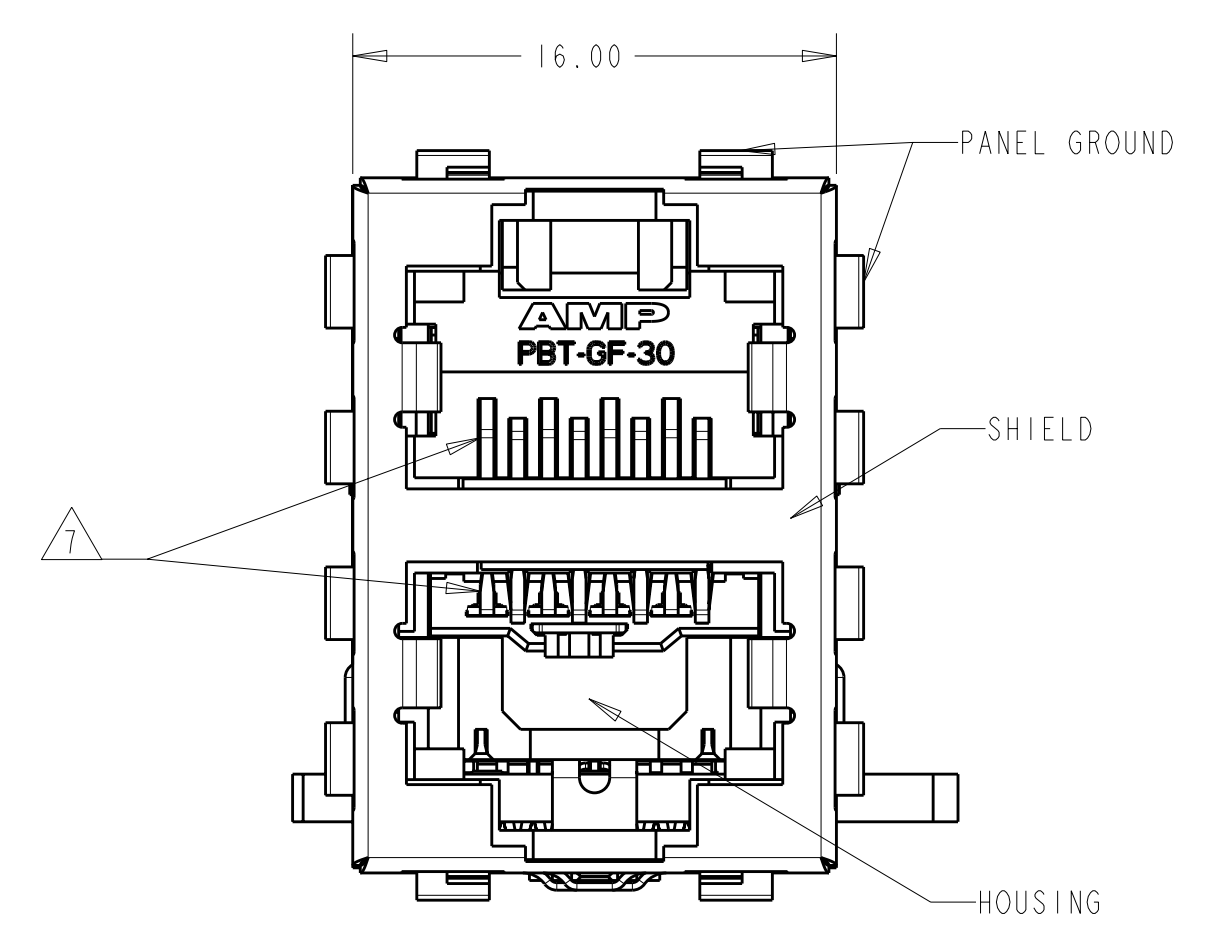
Tel: +86-755-8981 8866 Fax: +86-755-8427 6832

Email & Skype: info@chipsmall.com Web: www.chipsmall.com

Address: A1208, Overseas Decoration Building, #122 Zhenhua RD., Futian, Shenzhen, China

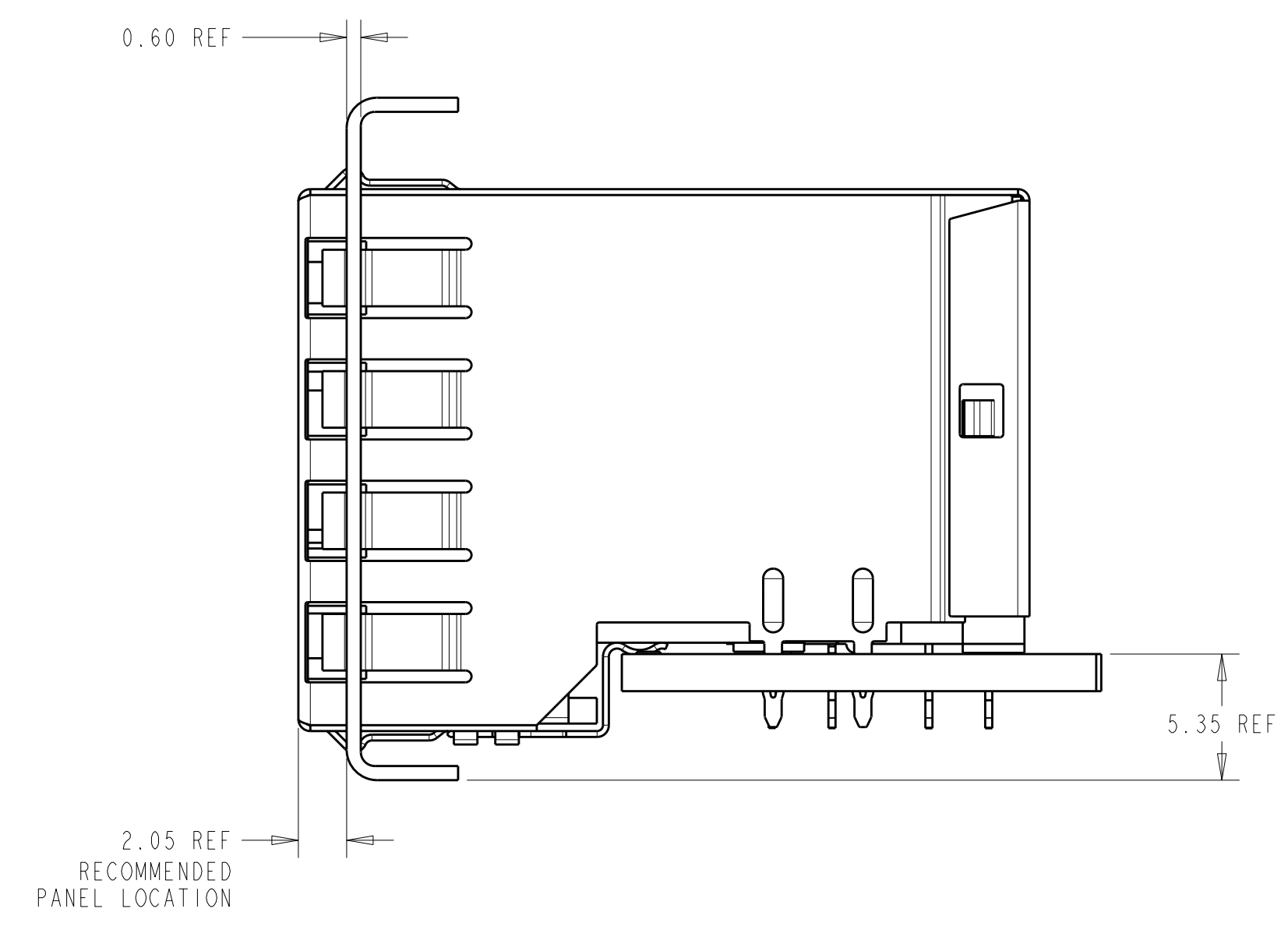


LOC	DIST	REV	DATE	BY	CHK	APP
AA	00	C2	18MAR2011	RK	HMR	



- MATERIAL:  
 HOUSING: PBT POLYESTER, BLACK, UL 94V-0  
 TERMINALS: 0.33 THICK PHOSPHOR BRONZE PLATED WITH 1.27µm MINIMUM THICK HARD GOLD IN LOCALIZED AREA AND 3.81µm MINIMUM THICK TIN IN ACTION PIN COMPLIANT PIN TERMINAL AREA OVER 1.27µm MINIMUM THICK NICKEL UNDERPLATE  
 SHIELD: 0.25 THICK COPPER ALLOY PLATED WITH 2.03µm MINIMUM TIN OVER 1.27 µm MINIMUM NICKEL  
 GROUND CLIP: 0.25 THICK COPPER ALLOY PRE-PLATED WITH 2.03µm MINIMUM MATTE TIN OVER 1.27µm MINIMUM NICKEL
  - JACK CAVITY CONFORMS TO FCC RULES AND REGULATIONS, PART 68 SUBPART F.
- 3 MAXIMUM PIN LENGTH 3.40 FROM TOP SURFACE OF PC BOARD  
 4 FINISH PLATED THRU HOLE DIAMETER ANNULAR RING DIAMETER 1.3 TO 1.5  
 5 DATUMS AND BASIC DIMENSIONS ESTABLISHED BY CUSTOMER  
 6 DATE CODE LOCATED ON REAR OF PART APPROXIMATELY AS SHOWN  
 7 CONTACTS ARE NOT INTENDED TO BE ALIGNED WITH EACH OTHER

ATCA PANEL AND PRINTED CIRCUIT BOARD ASSEMBLY LAYOUT



AMC PANEL AND PRINTED CIRCUIT BOARD ASSEMBLY LAYOUT

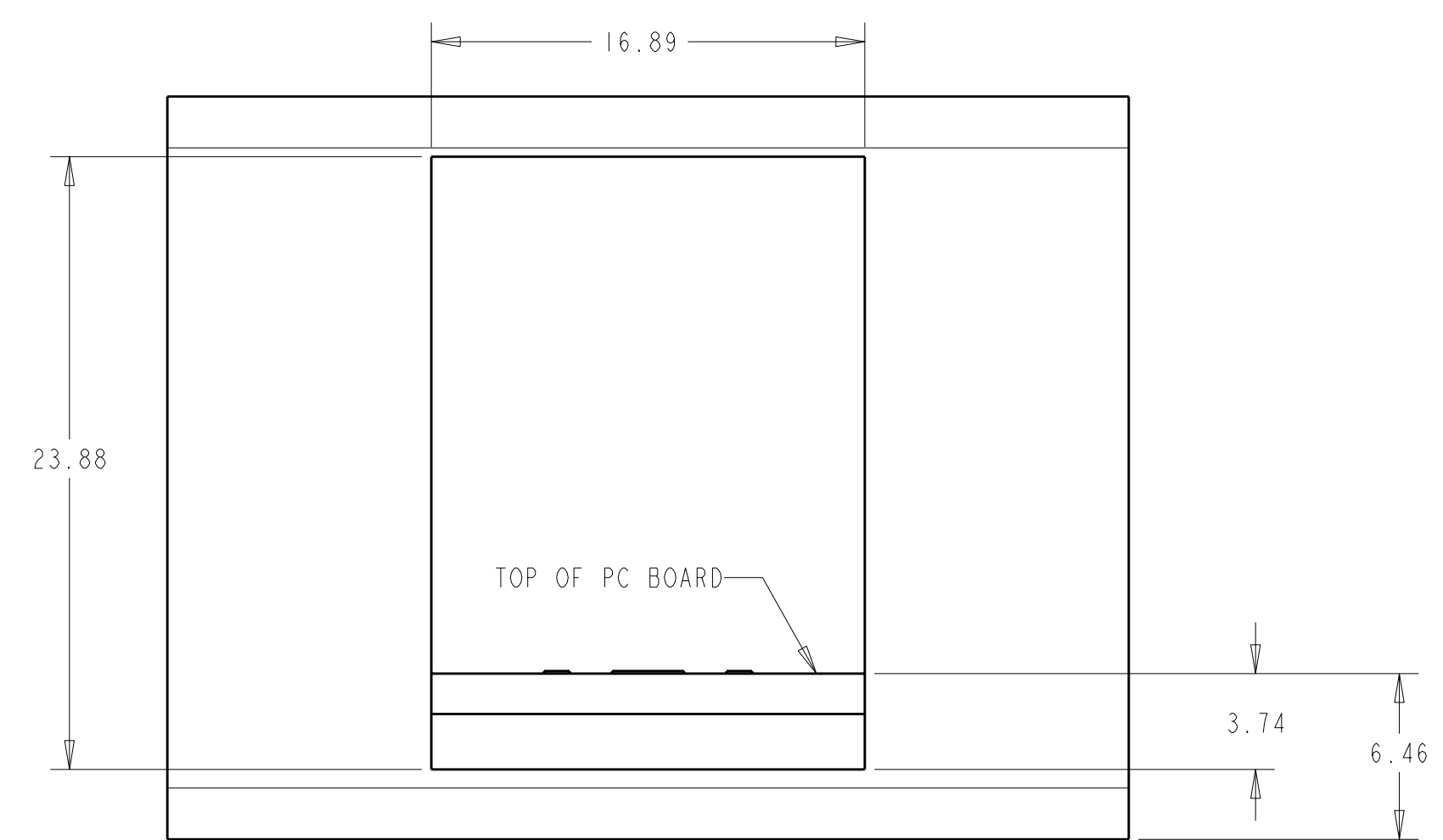
M DIM	DESCRIPTION	PART NUMBER
15.88	WITH GROUND CLIP	1888652-2 (SHOWN)
16.13	WITHOUT GROUND CLIP	1888652-1

THIS DRAWING IS A CONTROLLED DOCUMENT.

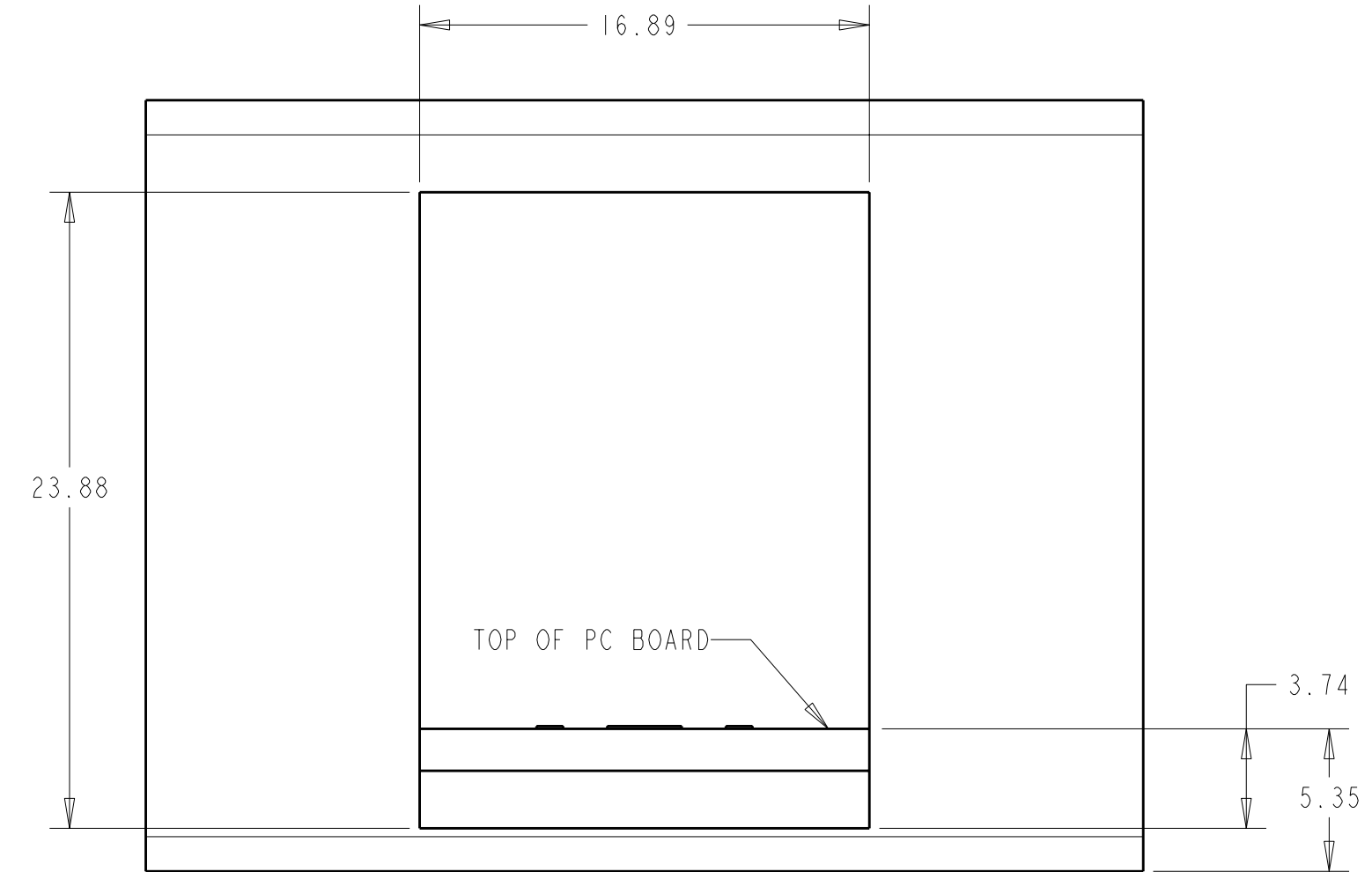
DIMENSIONS: mm	TOLERANCES UNLESS OTHERWISE SPECIFIED:	DWN: L. A. MAYER 16OCT2006	CHK: J. WESTMAN 16OCT2006	APVD: S. FLICKINGER 16OCT2006	NAME: STACKED MOD JACK ASSEMBLY, 2 X 1, 2 POSN, RJ45, SHIELDED, PANEL GROUND, OFFSET, CAT 5
9 PLC ±	108-1854	PRODUCT SPEC	114-2160	SIZE: A1	CAGE CODE: 00779
3 PLC ±0.13	APPLICATION SPEC	WEIGHT	SCALE: 2:1	SHEET: 1	OF: 2
4 PLC ±	FINISH	CUSTOMER DRAWING	REV: C2		

4805 (3/11) P:ENGINEER DRAWING

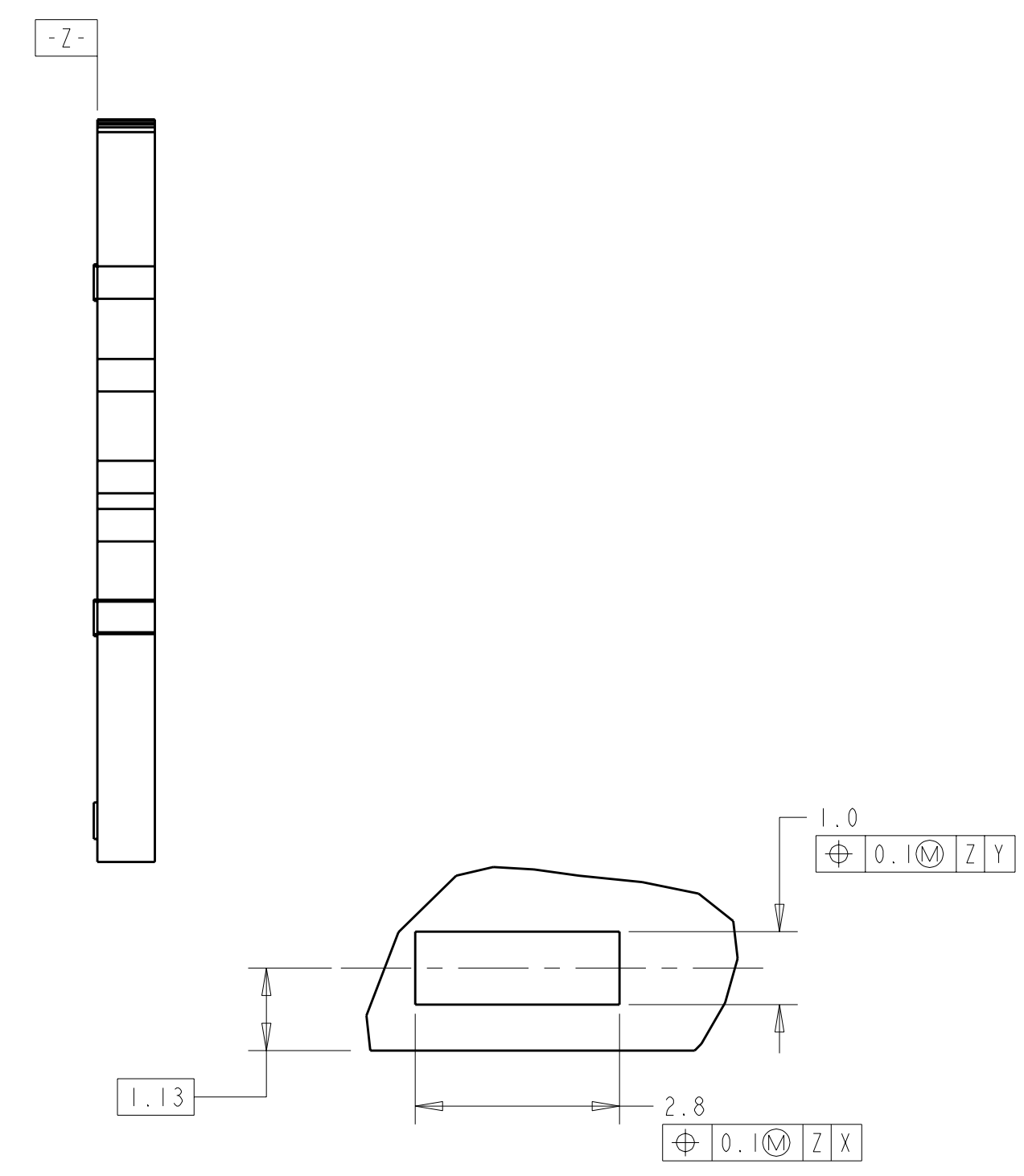
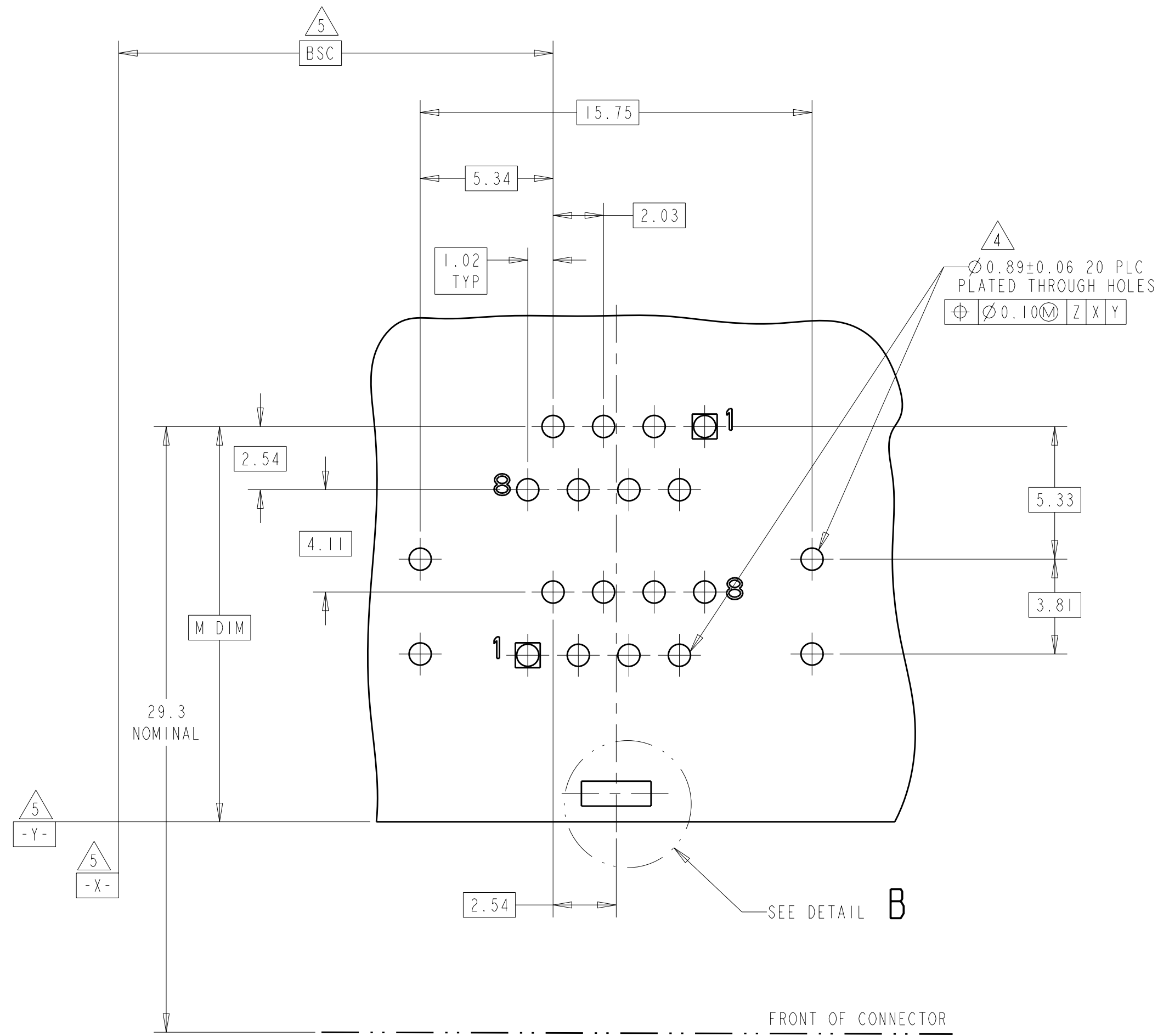
LOC	DIST	REV	DATE	BY	APPD
AA	00				
REVISIONS					
		SEE SHEET 1			



ATCA PANEL AND  
PRINTED CIRCUIT BOARD LAYOUT



AMC PANEL AND  
PRINTED CIRCUIT BOARD LAYOUT



DETAIL B  
SCALE 12:1  
PLATED PADS REQUIRED FOR  
1888652-2 (PRODUCT WITH  
GROUNDING CLIPS)

THIS DRAWING IS A CONTROLLED DOCUMENT.		DWN: L. A. MAYER 16OCT2006	TE Connectivity
DIMENSIONS: mm		CHK: J. WESTMAN 16OCT2006	
TOLERANCES UNLESS OTHERWISE SPECIFIED:		APVD: S. FLICKINGER 16OCT2006	NAME: STACKED MOD JACK ASSEMBLY, 2 X 1, 2 POSN, RJ45, SHIELDED, PANEL GROUND, OFFSET, CAT 5
9 PLC ± 1 PLC ±0.13 5 PLC ± 4 PLC ± ANGLES ±1°	FINISH	PRODUCT SPEC: 108-1854	SIZE: A1
MATERIAL: SEE NOTE 1		APPLICATION SPEC: 114-2160	CAGE CODE: 00779
		WEIGHT: -	DRAWING NO: C-1888652
		CUSTOMER DRAWING	SCALE: 4:1 SHEET 2 OF 2 REV: C2