



Chipsmall Limited consists of a professional team with an average of over 10 year of expertise in the distribution of electronic components. Based in Hongkong, we have already established firm and mutual-benefit business relationships with customers from,Europe,America and south Asia,supplying obsolete and hard-to-find components to meet their specific needs.

With the principle of “Quality Parts,Customers Priority,Honest Operation,and Considerate Service”,our business mainly focus on the distribution of electronic components. Line cards we deal with include Microchip,ALPS,ROHM,Xilinx,Pulse,ON,Everlight and Freescale. Main products comprise IC,Modules,Potentiometer,IC Socket,Relay,Connector.Our parts cover such applications as commercial,industrial, and automotives areas.

We are looking forward to setting up business relationship with you and hope to provide you with the best service and solution. Let us make a better world for our industry!



Contact us

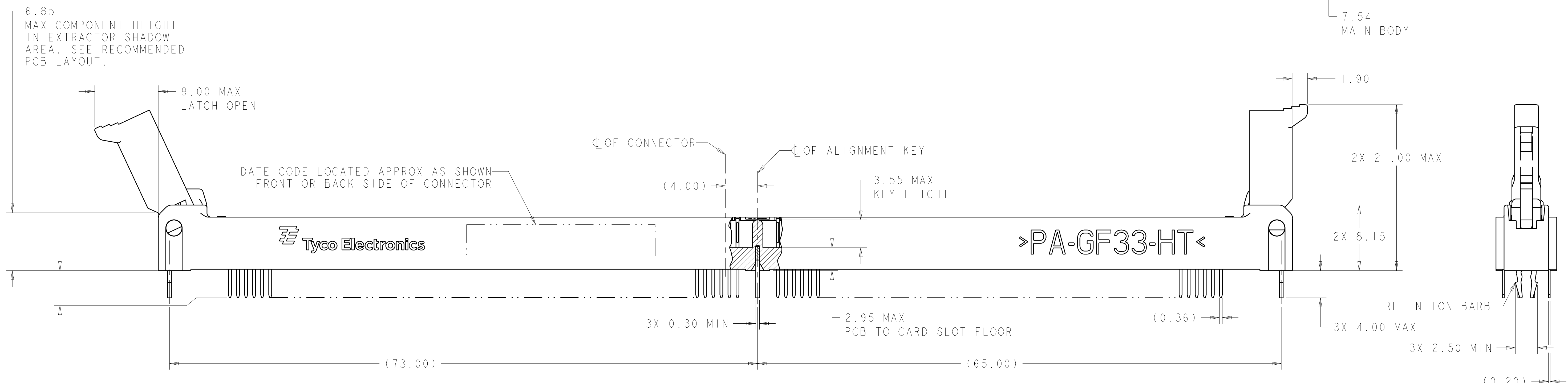
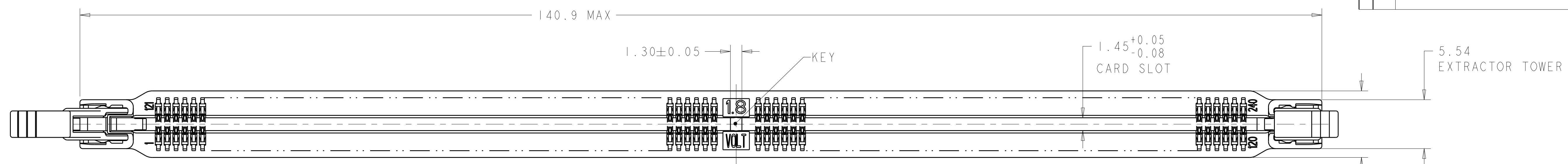
Tel: +86-755-8981 8866 Fax: +86-755-8427 6832

Email & Skype: info@chipsmall.com Web: www.chipsmall.com

Address: A1208, Overseas Decoration Building, #122 Zhenhua RD., Futian, Shenzhen, China



LOC	DIST	REV	DATE	BY	CHKD	APVD
GP	00	A2	09MAY2011	RK	HMR	

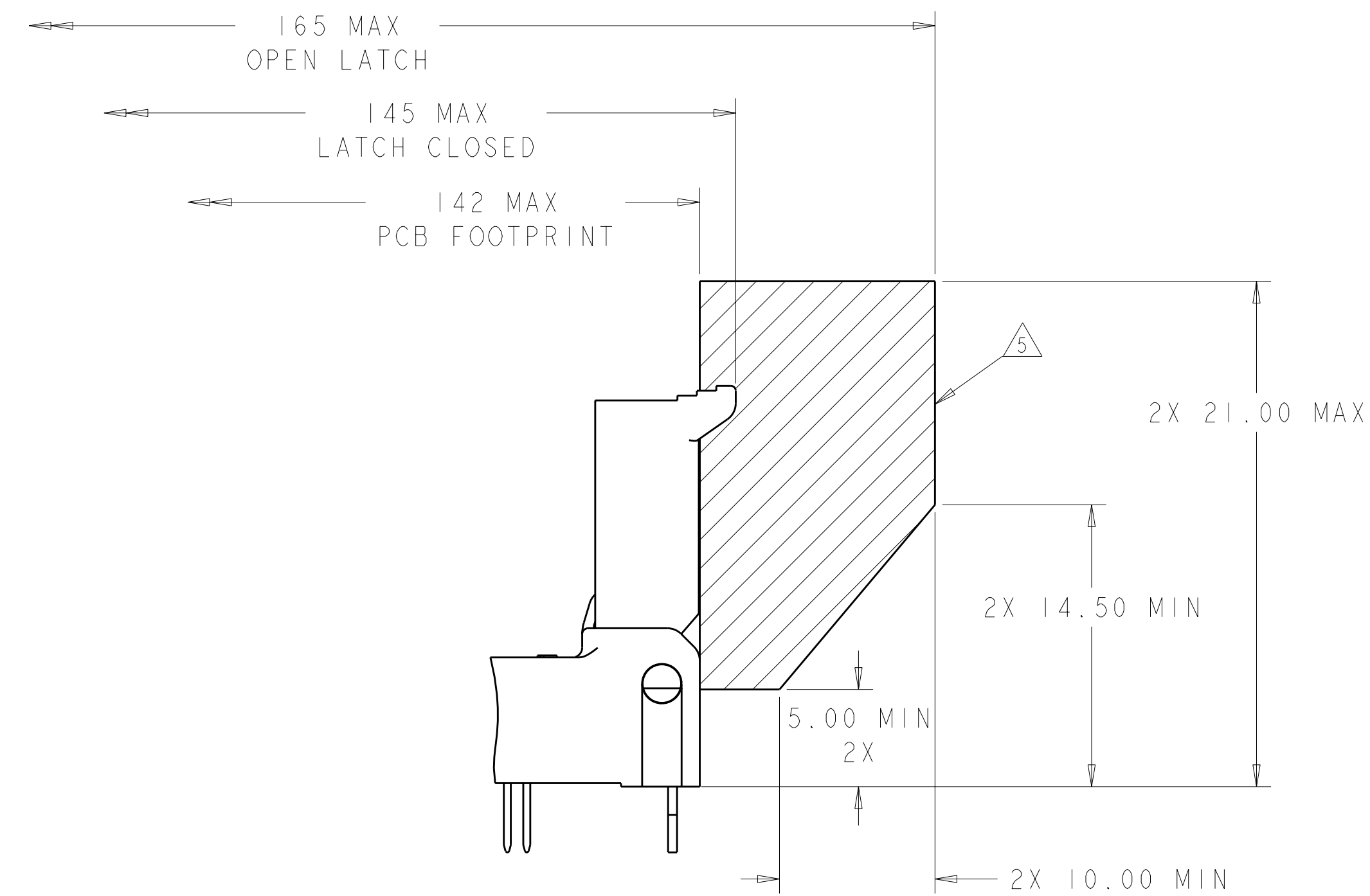


DATE CODE LOCATED APPROX AS SHOWN FRONT OR BACK SIDE OF CONNECTOR

Tyco Electronics

PA-GF33-HT

- 2.87±0.25 FOR 1.60 (.063") THK PCB
- 3.38±0.25 FOR 2.36 (.093") THK PCB
- 4.20±0.25 FOR 3.18 (.125") THK PCB



MATERIALS:
 HOUSING: HIGH TEMPERATURE NYLON, BLACK, UL94 V-0
 EXTRACTOR: HIGH TEMPERATURE THERMOPLASTIC
 CONTACTS: COPPER ALLOY
 RETENTION BARB: STAINLESS STEEL

INTERFACE FINISH:
 (1) 0.00076 MIN THK GOLD OVER 0.00127 MIN THK NICKEL
 (2) 0.00038 MIN THK GOLD OVER 0.00127 MIN THK NICKEL
 (3) 0.00008 MIN THK GOLD OVER 0.00127 MIN THK NICKEL

- FINISHED HOLE SIZE. 0.15 MAXIMUM ANNULAR RING.
- KEEP OUT ZONE.
- KEEP OUT AREA RESERVED FOR SOCKET EXTRACTORS, BOTH ENDS.
- SOLDERTAIL FINISH: 0.00300 MIN THK MATTE TIN OVER 0.00127 MIN THK NICKEL.
- LED LOCATION AS APPLICABLE PER CUSTOMER.
- DATUM -G- IS CONNECTOR SIDE SURFACE OF PCB.
- COMPLIES WITH JEDEC SPECIFICATION SO-001.
- CENTER HOLE CAN BE EITHER 2.45 BY 1.80 AS SHOWN OR A 2.45 DIAMETER ROUND HOLE.

CONTACT COLOR	CONTACT GOLD INTERFACE	TAIL LENGTH	PART NUMBER
NATURAL	0.00008 MIN	4.20	1888669-9
		3.38	1888669-8
		2.87	1888669-7
NATURAL	0.00038 MIN	4.20	1888669-6
		3.38	1888669-5
		2.87	1888669-4
NATURAL	0.00076 MIN	4.20	1888669-3
		3.38	1888669-2
		2.87	1888669-1

THIS DRAWING IS A CONTROLLED DOCUMENT.

DWN: D. RINGLER 29SEP2006
 CHK: J. PENNYPACKER 29SEP2006
 APVD: M. ROWERS 22DEC2006

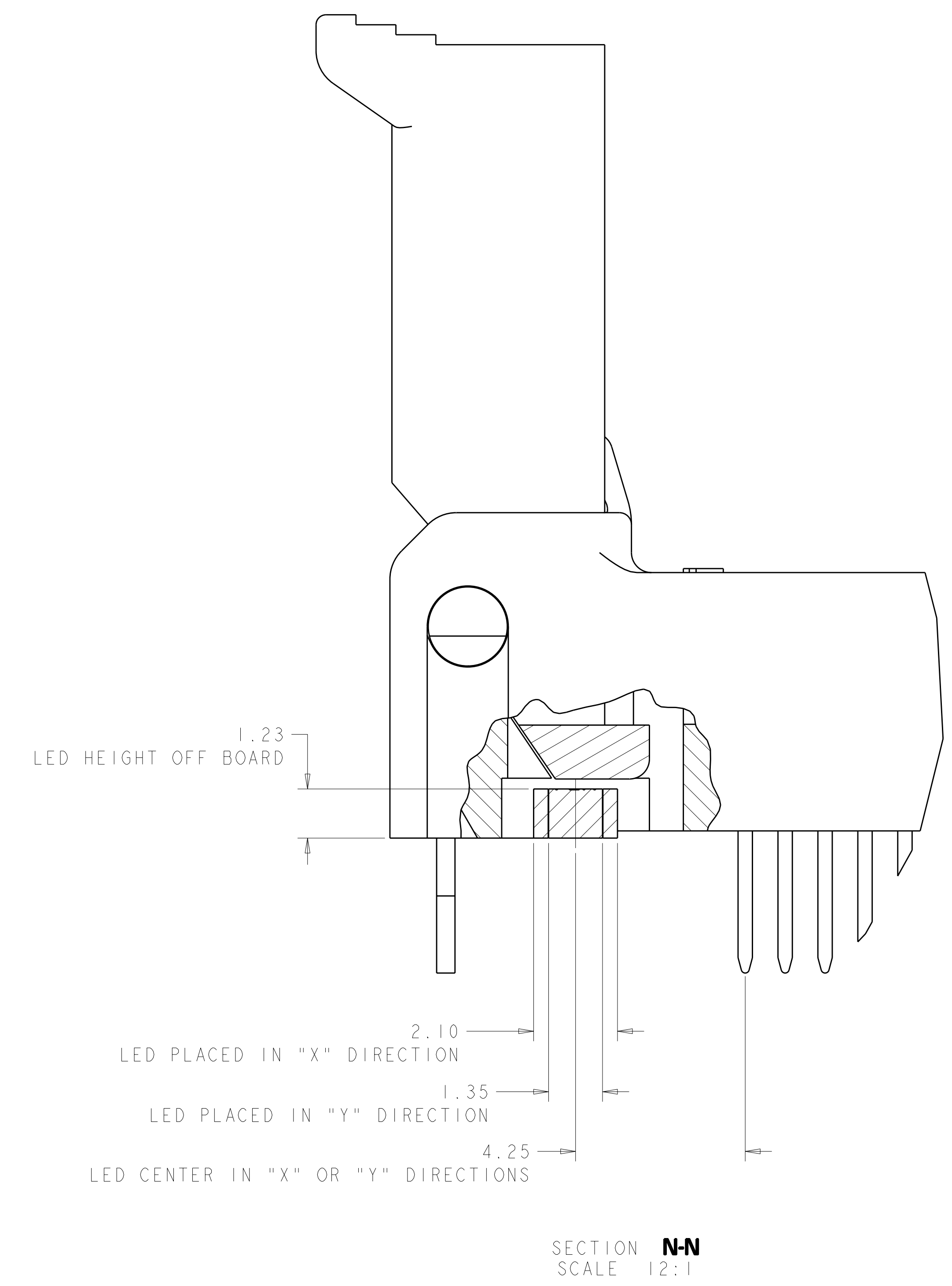
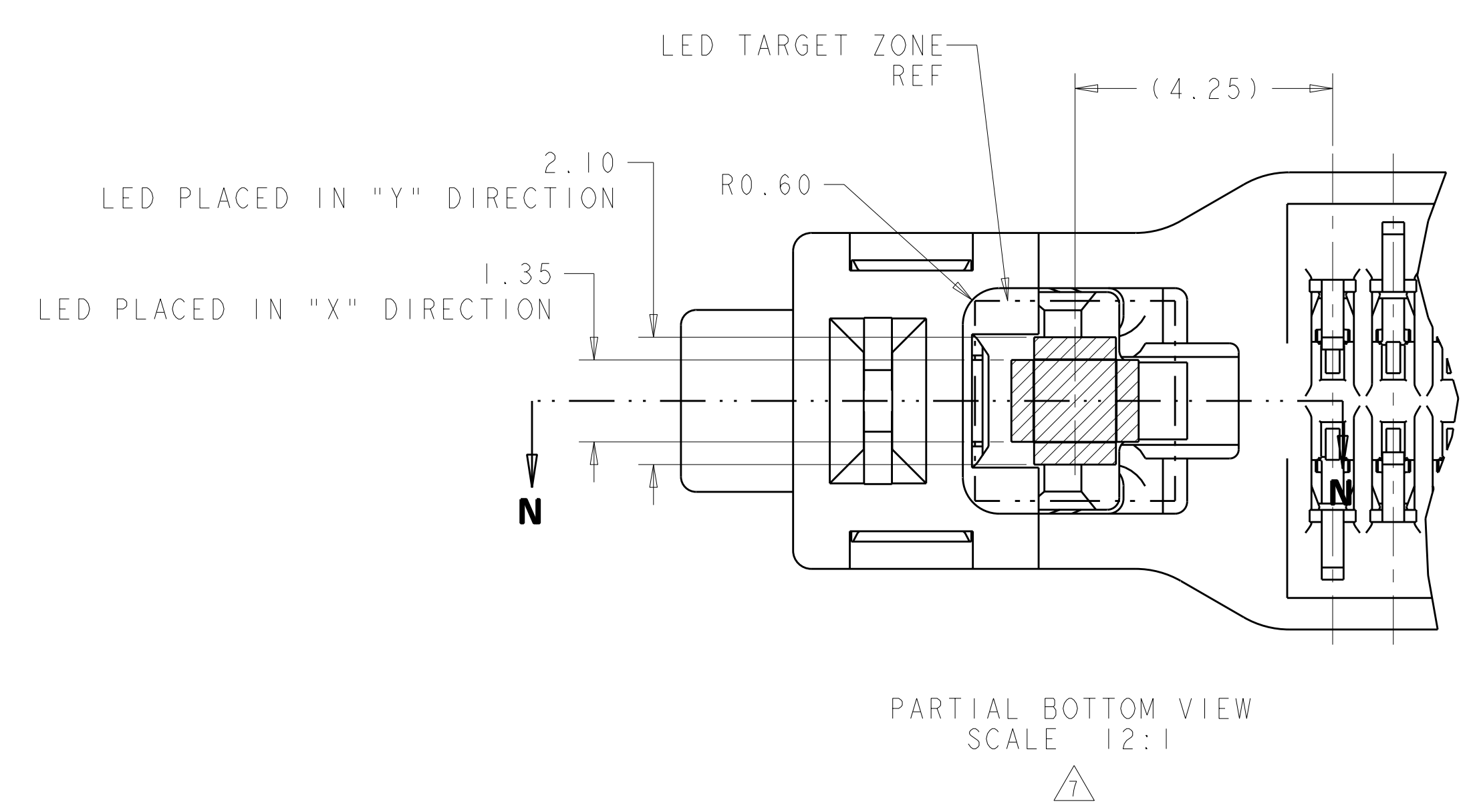
DIMENSIONS: mm
 TOLERANCES UNLESS OTHERWISE SPECIFIED:
 9 PLC ±.5
 3 PLC ±0.13
 5 PLC ±0.013
 4 PLC ±0.001
 ANGLES ±.

MATERIAL:
 FINISH:

PRODUCT SPEC: 108-2111
 APPLICATION SPEC: 114-13087
 WEIGHT: -
 CUSTOMER DRAWING

NAME: SOCKET ASSEMBLY, DDR2 VLP DIMM, SOLDER TAIL, 240 POSITION
 SIZE: A100779
 CAGE CODE: C=1888669
 SCALE: 4:1 SHEET 1 OF 3 REV A2

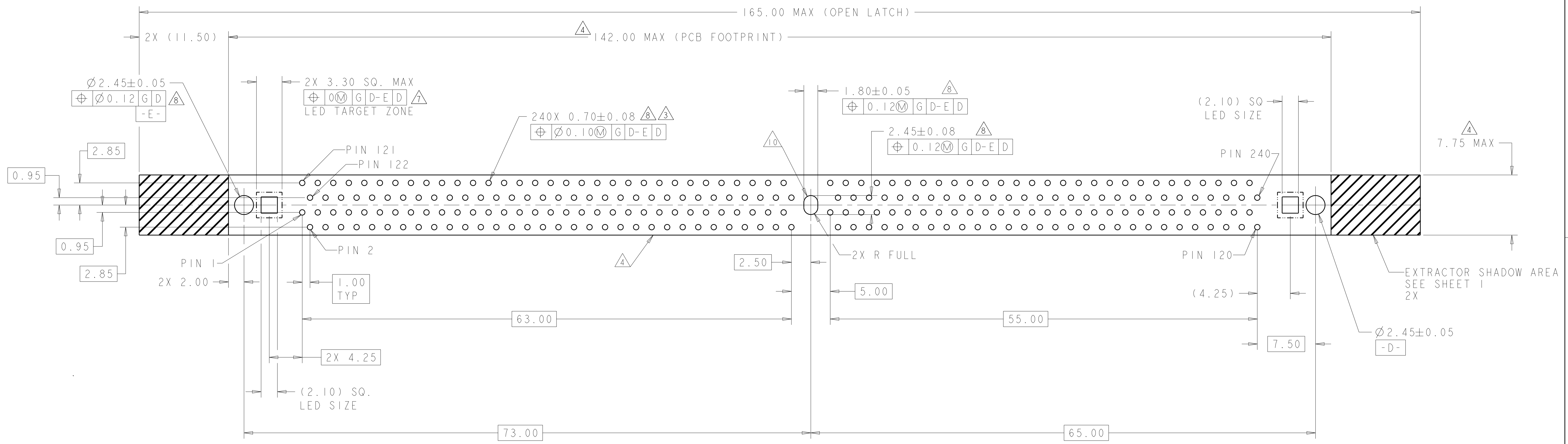
LOC	DIST	REVISIONS			
P	LTB	DESCRIPTION	DATE	DWN	APVD
GP	00	SEE SHEET 1	-	-	-



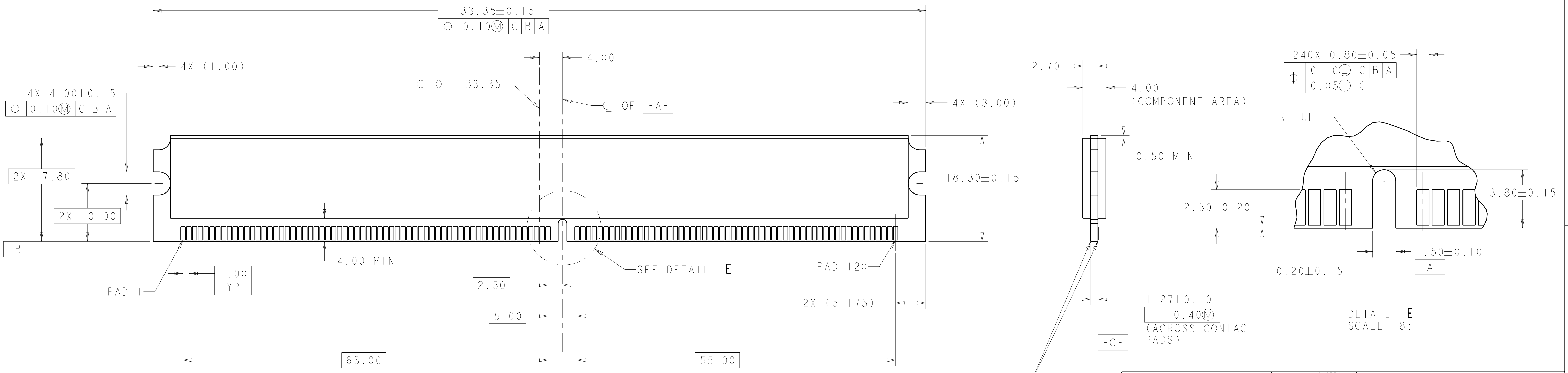
THIS DRAWING IS A CONTROLLED DOCUMENT.		DWN D. RINGLER 29SEP2006	TE Connectivity	
DIMENSIONS: mm		CHK J. PENNYPACKER 29SEP2006	NAME SOCKET ASSEMBLY, DDR2 VLP DIMM, SOLDER TAIL, 240 POSITION	
TOLERANCES UNLESS OTHERWISE SPECIFIED:		APVD M. ROWERS 22DEC2006	PRODUCT SPEC 108-2111	
9 PLC ±0.5		APPLICATION SPEC 114-13087		
3 PLC ±0.13		SIZE CAGE CODE DRAWING NO RESTRICTED TO		
5 PLC ±0.013		A100779C=1888669		
4 PLC ±0.001		WEIGHT		
ANGLES ±0.0001		CUSTOMER DRAWING		
FINISH		SCALE 4:1 SHEET 2 OF 3 REV A2		

LOC	DIST	REV	DATE	BY	APPD
GP	00				

REVISIONS			
NO.	DESCRIPTION	DATE	BY
1	SEE SHEET 1		



RECOMMENDED PCB LAYOUT
VIEWED FROM CONNECTOR SIDE



RECOMMENDED MODULE LAYOUT
SCALE 3:1

NOTE: REFER TO JEDEC MO-237 VARIATIONS DB, EB, FB, GB FOR COMPLETE MODULE DETAILS

0.20-0.05 X 45° OPTIONAL
MUST NOT HIT GOLD CONTACTS

THIS DRAWING IS A CONTROLLED DOCUMENT.		DWN D. RINGLER 29SEP2006	STE TE Connectivity	
DIMENSIONS: mm		CHK J. PENNYPACKER 29SEP2006	NAME SOCKET ASSEMBLY, DDR2 VLP DIMM, SOLDER TAIL, 240 POSITION	
TOLERANCES UNLESS OTHERWISE SPECIFIED:		APVD M. ROWERS 22DEC2006	PRODUCT SPEC 108-2111	
9 PLC ±0.5		APPLICATION SPEC		
2 PLC ±0.13		114-13087		
5 PLC ±0.013		WEIGHT		
4 PLC ±0.001		114-13087		
ANGLES ±0.001		SIZE CAGE CODE DRAWING NO. RESTRICTED TO		
MATERIAL		A100779C=1888669		
FINISH		CUSTOMER DRAWING		
		SCALE 1:1 SHEET 3 OF 3 REV A2		