



Chipsmall Limited consists of a professional team with an average of over 10 year of expertise in the distribution of electronic components. Based in Hongkong, we have already established firm and mutual-benefit business relationships with customers from,Europe,America and south Asia,supplying obsolete and hard-to-find components to meet their specific needs.

With the principle of “Quality Parts,Customers Priority,Honest Operation,and Considerate Service”,our business mainly focus on the distribution of electronic components. Line cards we deal with include Microchip,ALPS,ROHM,Xilinx,Pulse,ON,Everlight and Freescale. Main products comprise IC,Modules,Potentiometer,IC Socket,Relay,Connector.Our parts cover such applications as commercial,industrial, and automotives areas.

We are looking forward to setting up business relationship with you and hope to provide you with the best service and solution. Let us make a better world for our industry!



Contact us

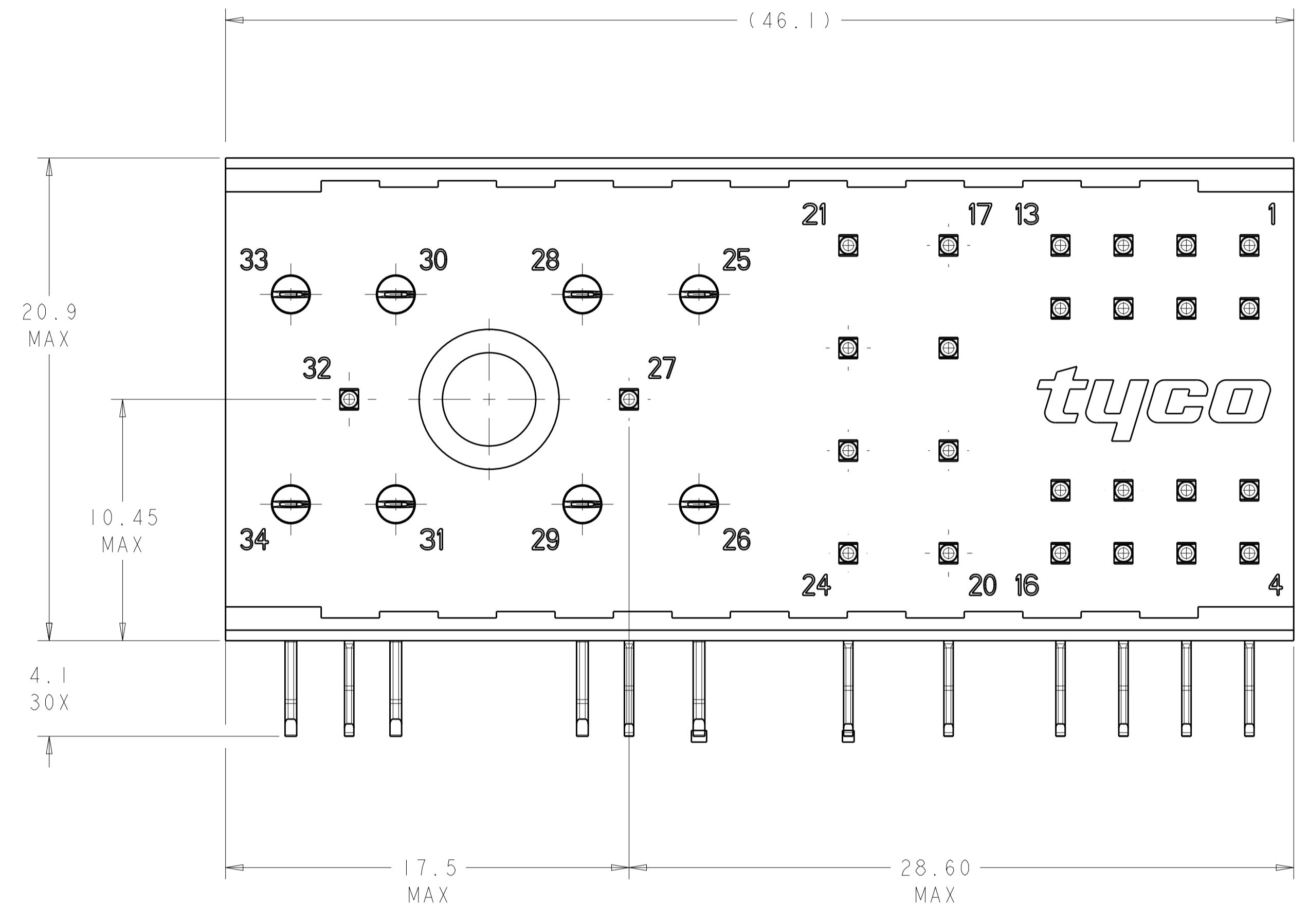
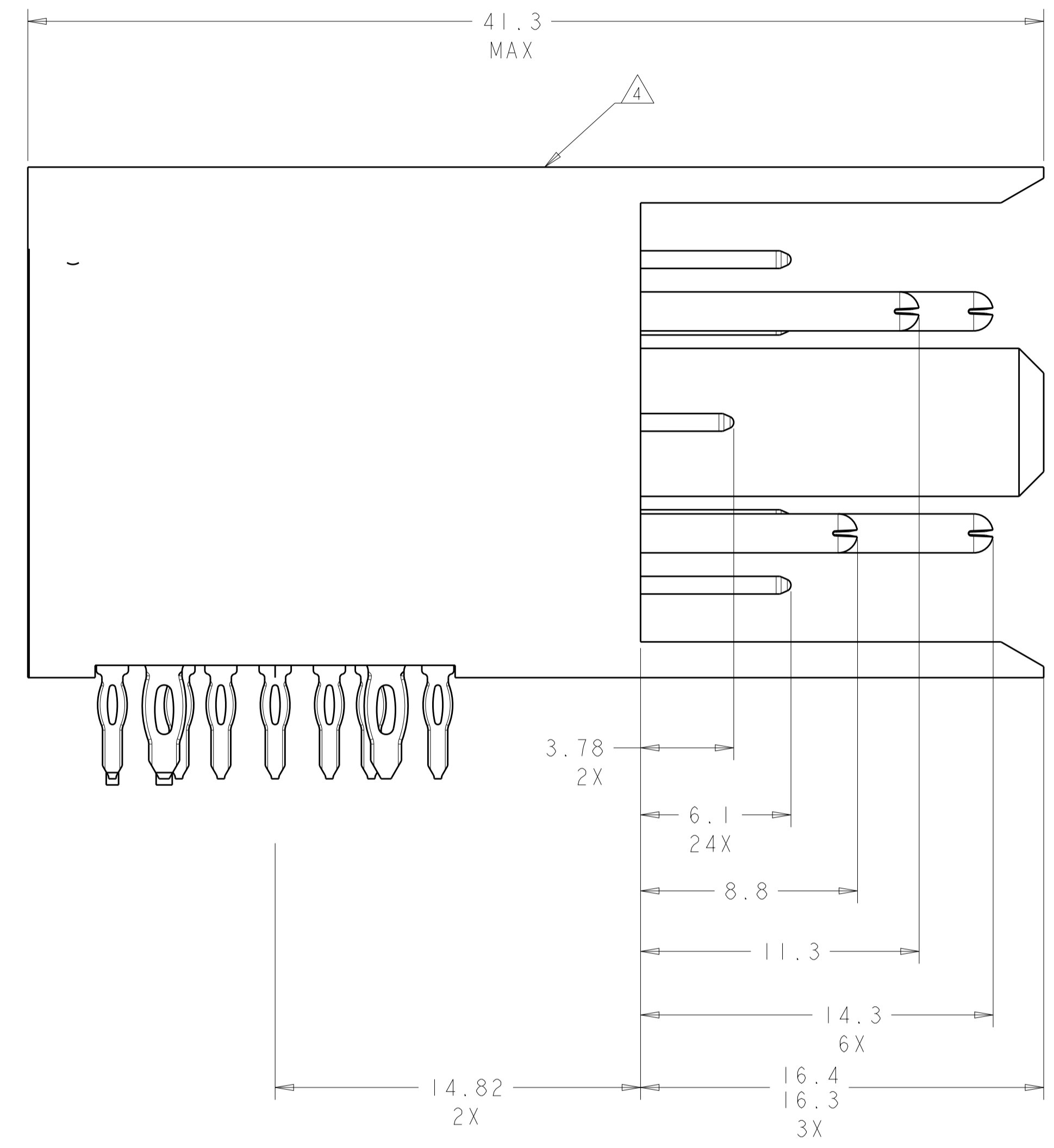
Tel: +86-755-8981 8866 Fax: +86-755-8427 6832

Email & Skype: info@chipsmall.com Web: www.chipsmall.com

Address: A1208, Overseas Decoration Building, #122 Zhenhua RD., Futian, Shenzhen, China



LOC		DIST		REVISONS			
P	LTN	DESCRIPTION	DATE	DWN	APVD		
C		REV PER ECR-12-016995	04NOV2012	OL	SZ		



- △ MATERIALS:
 HOUSING: HIGH TEMP THERMOPLASTIC, UL94V-0, GRAY.
 SIGNAL CONTACTS: COPPER ALLOY
 POWER CONTACTS: COPPER ALLOY
- △ CONTACT FINISH:
 ALL OVER: 0.00127 MIN NICKEL
 COMPLIANT PIN AREA: 0.00127 MIN TIN
 MATING AREA: 0.00076 MIN GOLD
- △ HOLES INDICATED ARE NOT REQUIRED FOR TYCO PRODUCT
- △ TYCO PART NUMBER AND DATE CODE (YYWW) LOCATED ON SURFACE INDICATED.
- △ DATUM AND BASIC DIMENSION TO BE ESTABLISHED BY CUSTOMER.
- △ CONTACT FINISH:
 ALL OVER: 0.00127 MIN NICKEL
 COMPLIANT PIN AREA: 0.00127 MIN TIN-LEAD
 MATING AREA: 0.00076 MIN GOLD
7. CONTACT AREA LUBRICATED WITH BELLCORE APPROVED LUBRICANT, TECHNICAL REFERENCE: GR-1217-COR, ISSUE 1, NOVEMBER 1995.

SEQUENCING TABLE	
CONTACT POSN	PIN LENGTH
1-24	6.1
25,26,28-31	14.3
27,32	3.8
33	11.3
34	8.8

OBSELETE	△	Ø	26	22	1888803-2
	△	1.58	8	16	
	△	0.762	26	22	1888803-1
	△	1.58	8	16	
	△	PLATING	MATING PIN DIAMETER	CONTACT QTY	SIZE NO
	△				PART NO

THIS DRAWING IS A CONTROLLED DOCUMENT. DWN: G. PETERS 13DEC2006
 CHK: M. PERCHERKE 13DEC2006
 APVD: S. ELICKINGER 13DEC2006

STE TE Connectivity

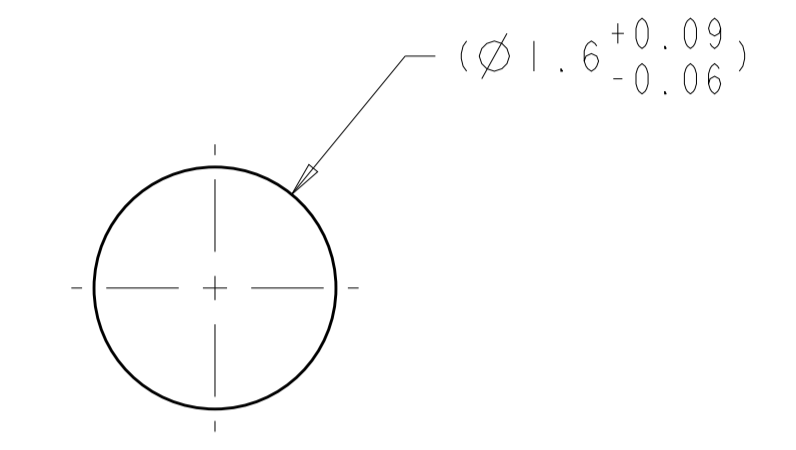
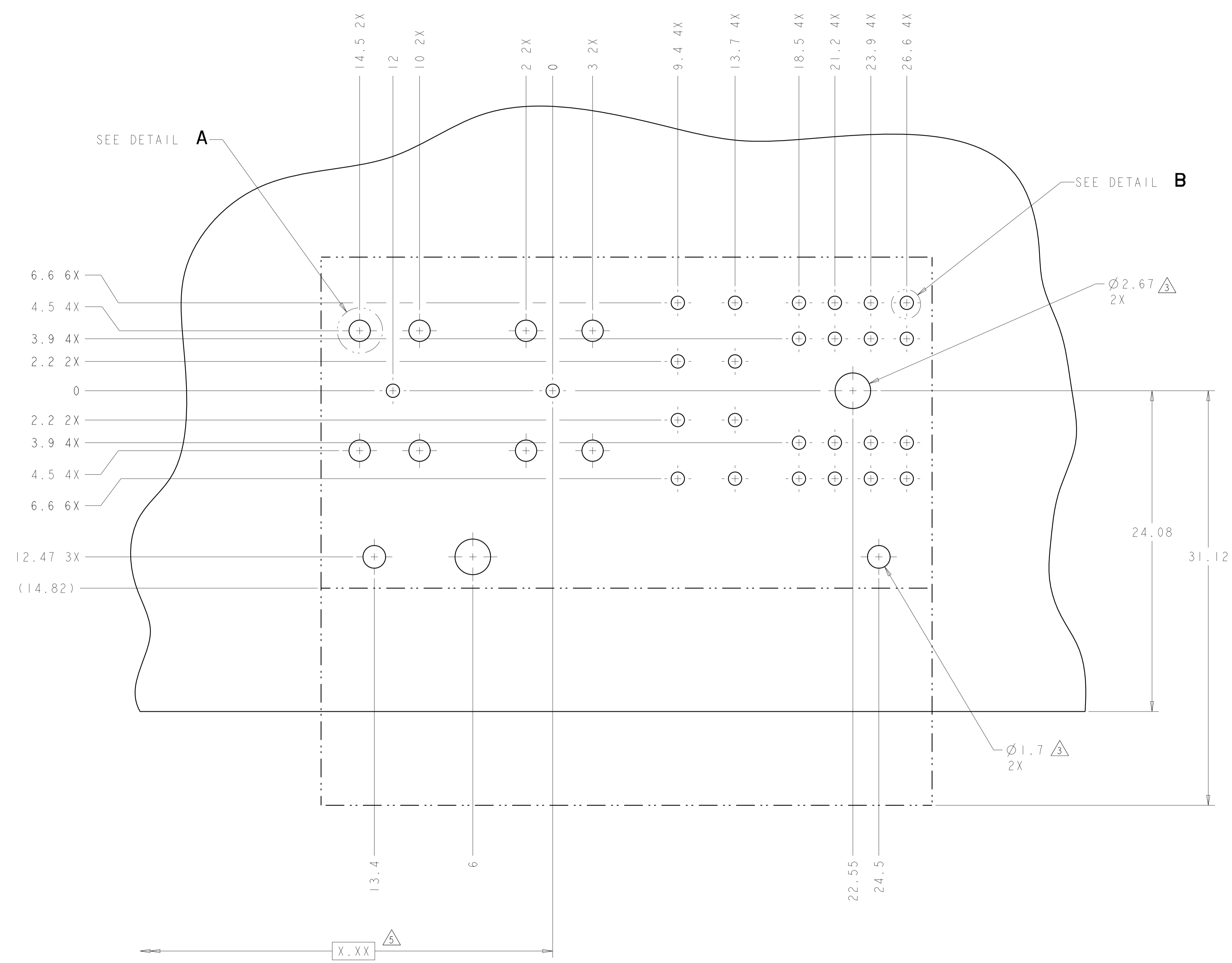
NAME: ASSEMBLY, RT ANGLE, AdvancedTCA

PRODUCT SPEC: 108-2216
 APPLICATION SPEC: 114-13156

SIZE: A1 CAGE CODE: 100779 DRAWING NO: 1888803
 WEIGHT: -

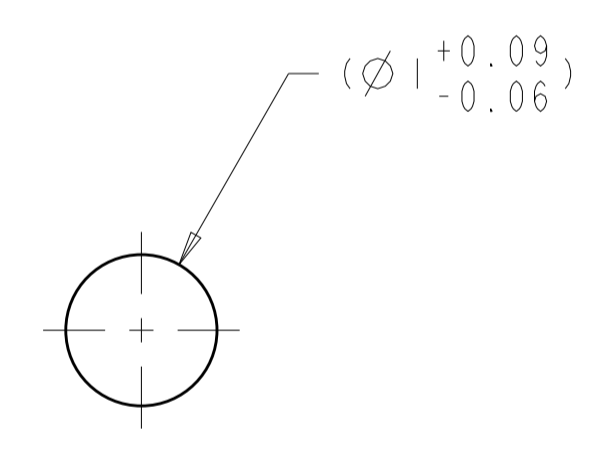
Customer Drawing SCALE: 6:1 SHEET 1 OF 2 REV C

LOC	DIST	REVISIONS					
GP	00	P	LTN	DESCRIPTION	DATE	DWN	APVD
-	-	-	-	SEE SHEET 1	-	-	-



DETAIL A
 SCALE 20:1
 8X (SIZE 16)

FINISHED HOLE: $\varnothing 1.6^{+0.09}_{-0.06}$
 DRILLED HOLE: $\varnothing 1.75 \pm 0.025$
 COPPER PLATE: 0.025 MIN (PER SURFACE)
 TIN PLATE: 0.008 MIN (PER SURFACE)



DETAIL B
 SCALE 20:1
 26X (SIZE 22)

FINISHED HOLE: $\varnothing 1^{+0.09}_{-0.06}$
 DRILLED HOLE: $\varnothing 1.15 \pm 0.025$
 COPPER PLATE: 0.025 MIN (PER SURFACE)
 TIN PLATE: 0.008 MIN (PER SURFACE)

RECOMMENDED PCB LAYOUT
 VIEWED FROM CONNECTOR SIDE

THIS DRAWING IS A CONTROLLED DOCUMENT.		DWN G. PETERS 13DEC2006	TE Connectivity	
DIMENSIONS:		CHK M. PERCHERKE 13DEC2006		
mm	TOLERANCES UNLESS OTHERWISE SPECIFIED:	APVD S. FLICKINGER 13DEC2006	NAME ASSEMBLY, RT ANGLE, AdvancedTCA	
0 PLC ± 0.5 2 PLC ± 0.13 3 PLC ± 0.013 4 PLC ± 0.0001 ANGLES ± 0.0001	PRODUCT SPEC 108-2216 APPLICATION SPEC 114-13156 WEIGHT SCALE 6:1	SIZE A100779C=1888803	RESTRICTED TO	
MATERIAL	FINISH	Customer Drawing	SHEET 2 OF 2 REV C	