



Chipsmall Limited consists of a professional team with an average of over 10 year of expertise in the distribution of electronic components. Based in Hongkong, we have already established firm and mutual-benefit business relationships with customers from,Europe,America and south Asia,supplying obsolete and hard-to-find components to meet their specific needs.

With the principle of "Quality Parts,Customers Priority,Honest Operation,and Considerate Service",our business mainly focus on the distribution of electronic components. Line cards we deal with include Microchip,ALPS,ROHM,Xilinx,Pulse,ON,Everlight and Freescale. Main products comprise IC,Modules,Potentiometer,IC Socket,Relay,Connector.Our parts cover such applications as commercial,industrial, and automotives areas.

We are looking forward to setting up business relationship with you and hope to provide you with the best service and solution. Let us make a better world for our industry!



## Contact us

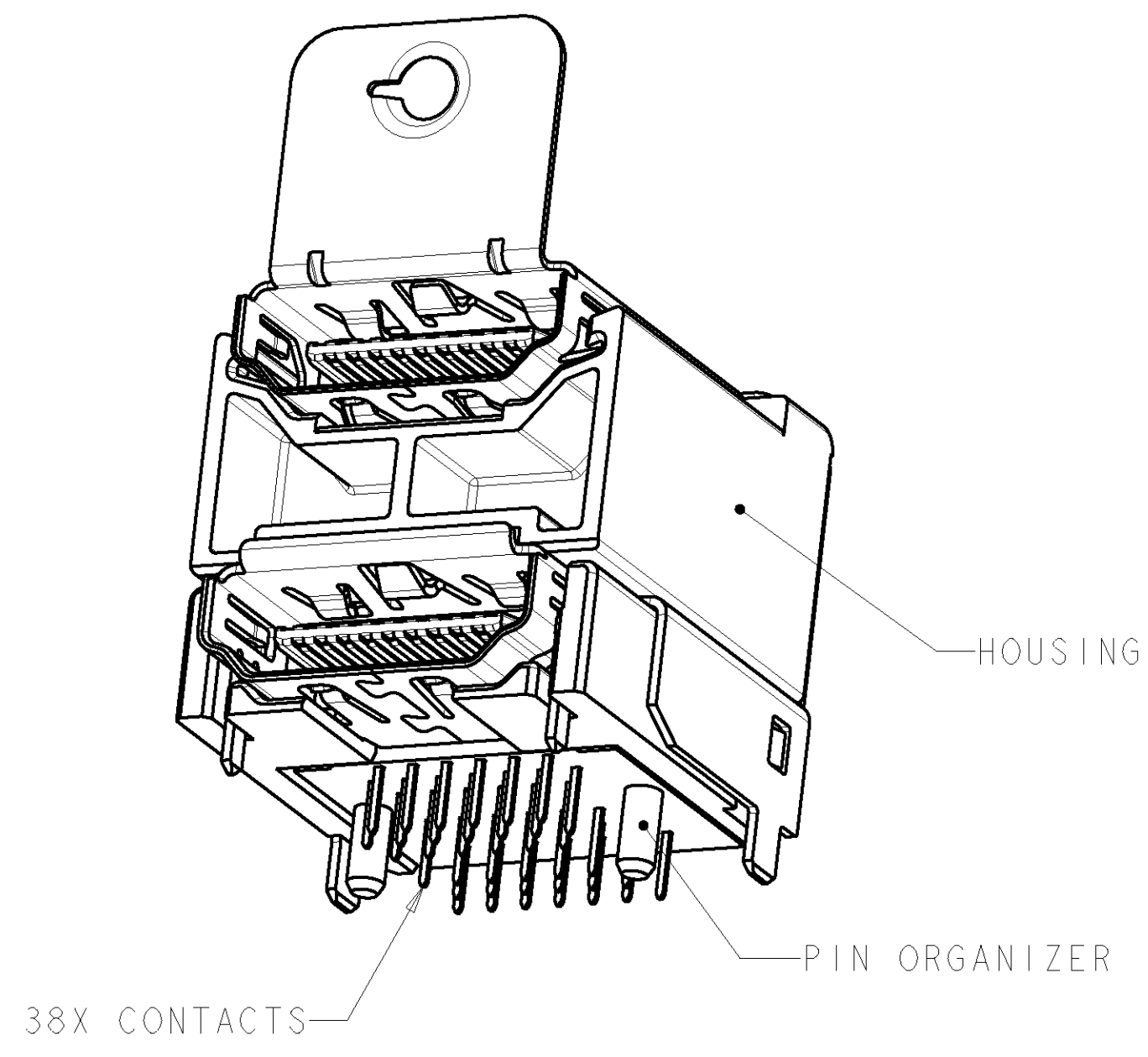
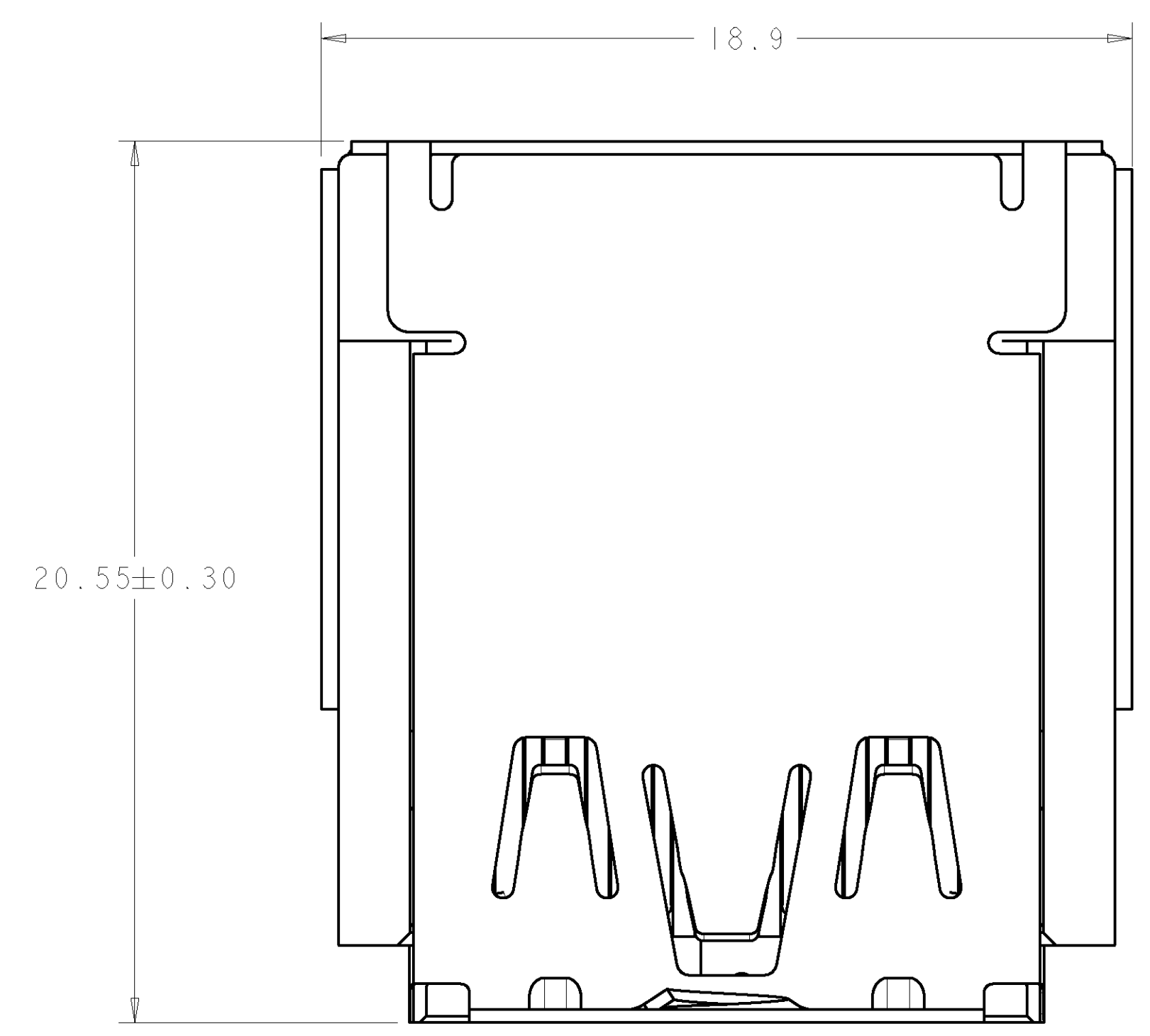
Tel: +86-755-8981 8866 Fax: +86-755-8427 6832

Email & Skype: info@chipsmall.com Web: www.chipsmall.com

Address: A1208, Overseas Decoration Building, #122 Zhenhua RD., Futian, Shenzhen, China

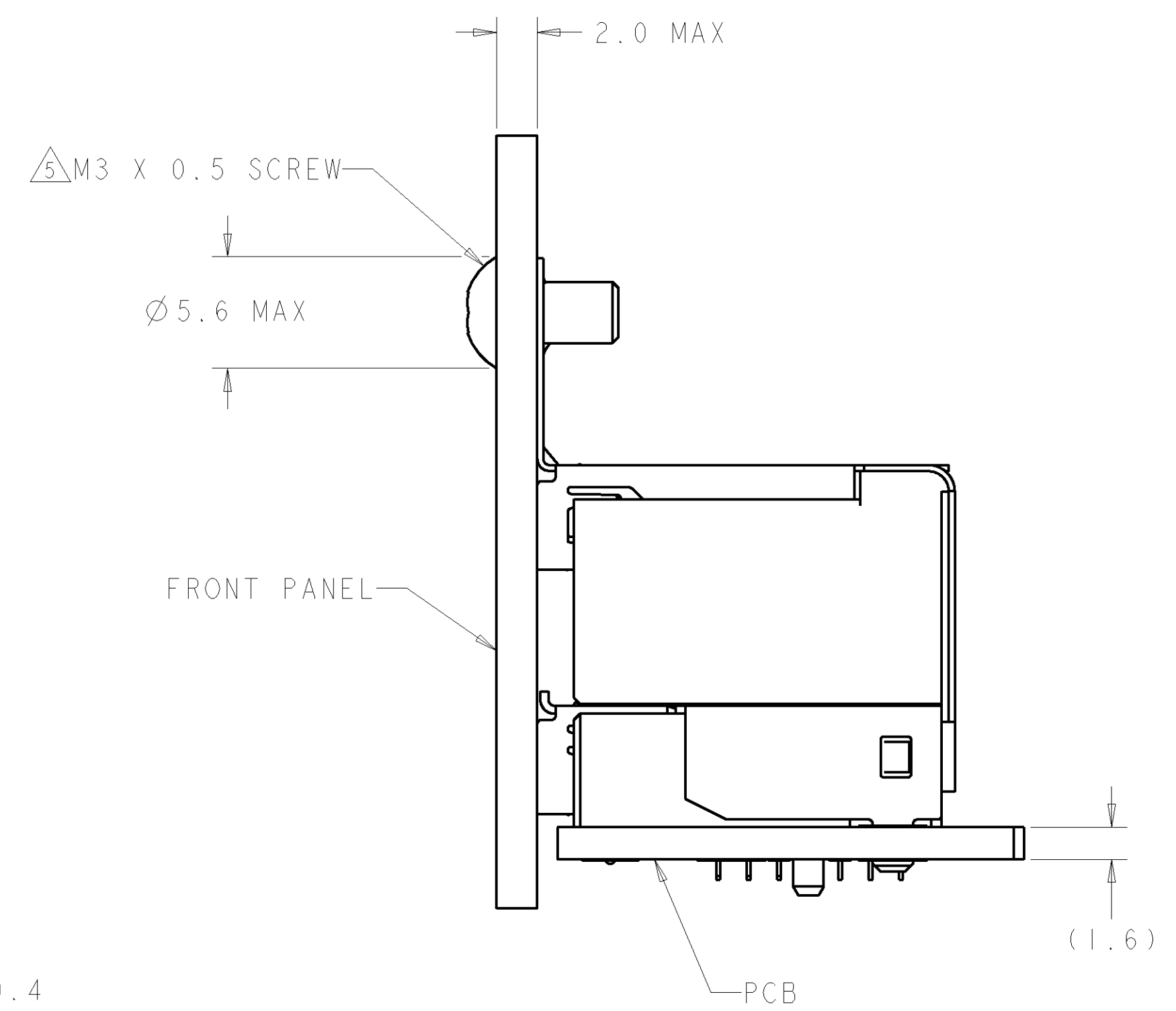
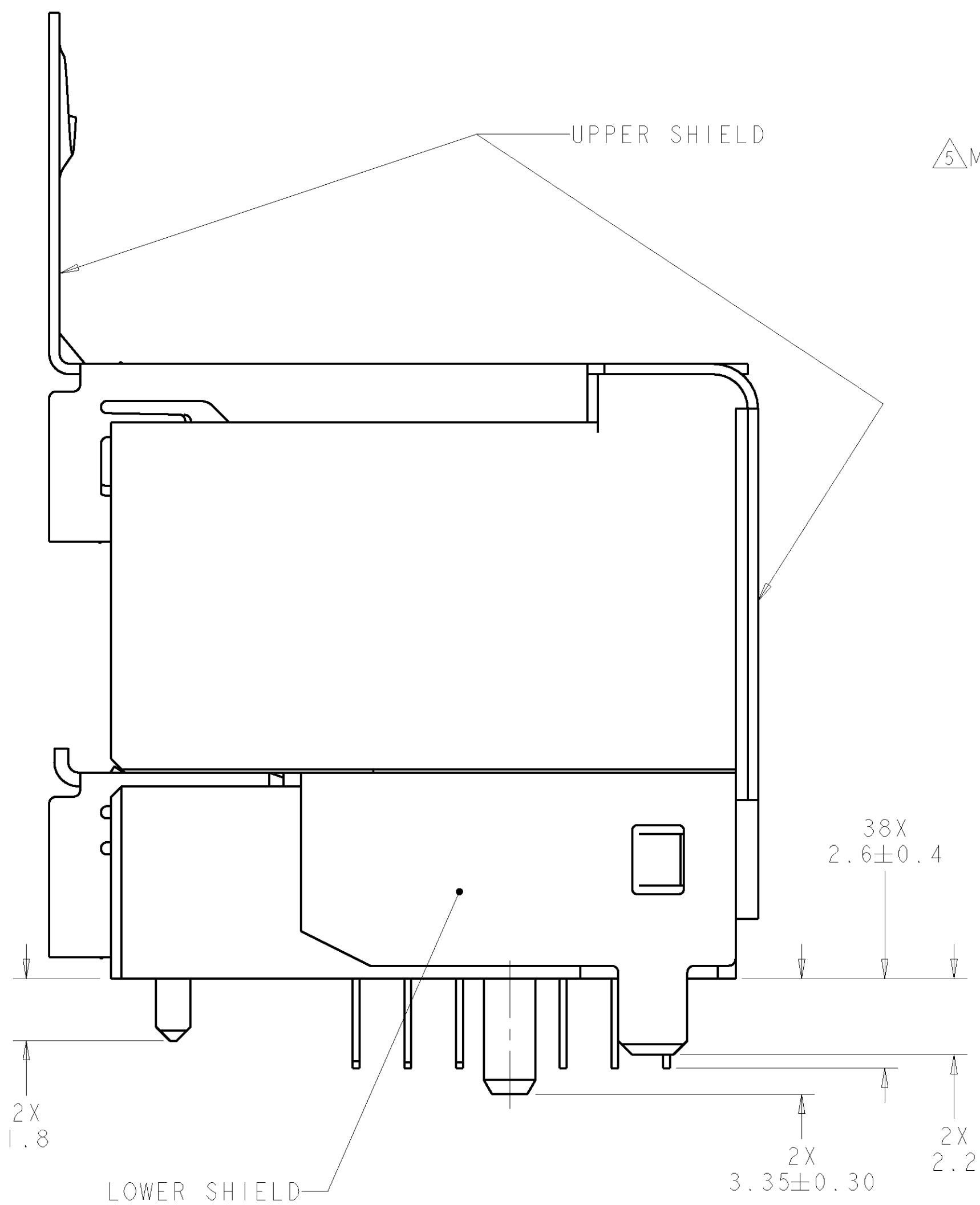
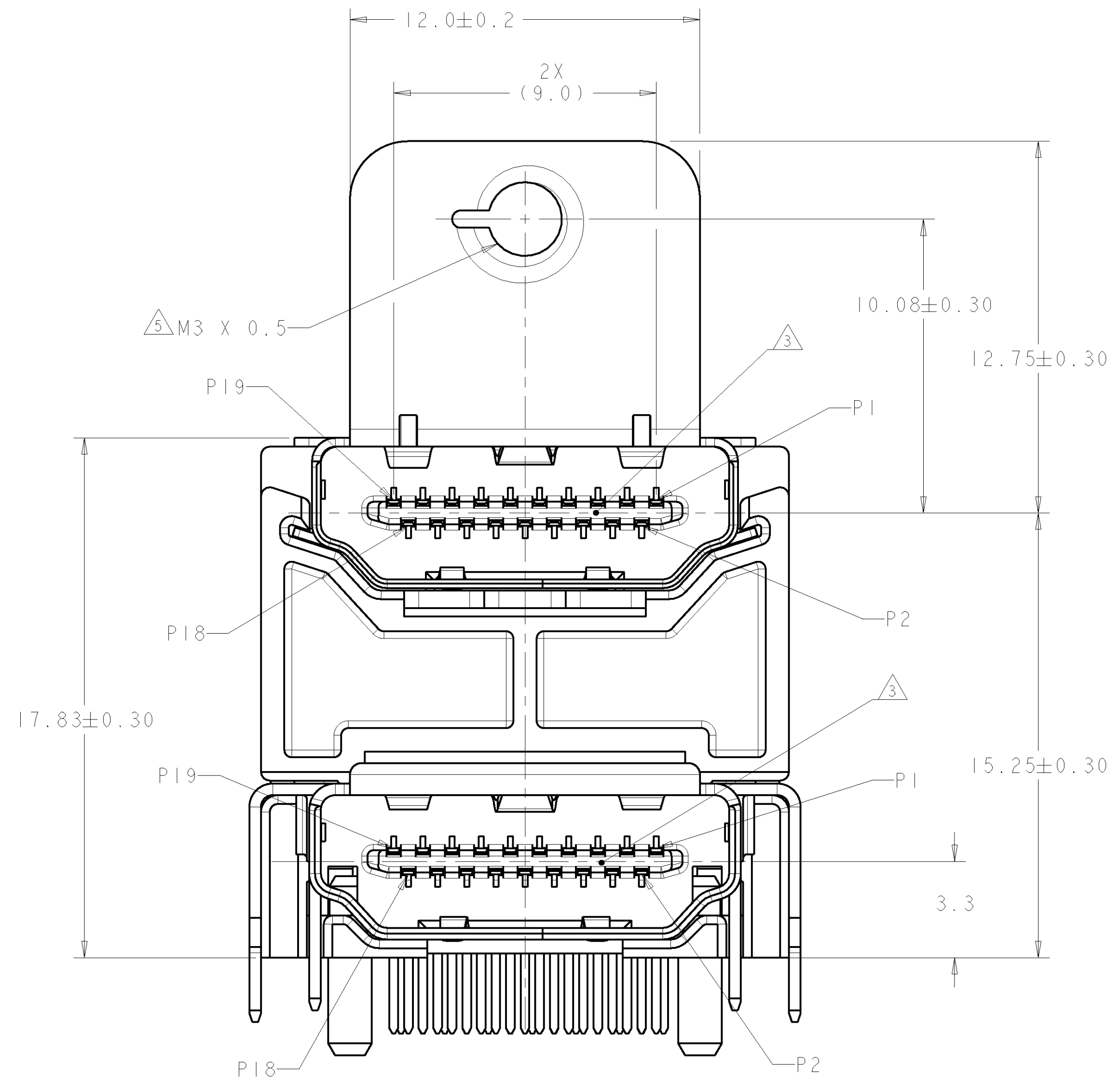


LOC		DIST		REVISIONS			
GP	00	REV	DATE	DATE	DWN	APVD	
A1		REVISED PER ECO-11-005033	21APR11		RK	HMR	



ISOMETRIC VIEW  
SCALE 4:1

- 1 MATERIALS:  
HOUSING & PIN ORGANIZER: HIGH TEMP THERMOPLASTIC, UL94V-0, BLACK.  
CONTACTS: COPPER ALLOY  
SHIELDS: STAINLESS STEEL
- 2 FINISH:  
CONTACTS:  
GOLD FLASH OVER  
PALLADIUM-NICKEL PLATE, 0.3µm MIN TOTAL ON THE MATING SURFACE,  
2µm MIN TIN PLATE ON THE SOLDER-TAIL,  
2µm MIN NICKEL UNDERPLATE ON THE ENTIRE CONTACT.  
OR  
0.3µm MIN GOLD PLATE ON THE MATING SURFACE,  
2µm MIN TIN PLATE ON THE SOLDER-TAIL,  
2µm MIN NICKEL UNDERPLATE ON THE ENTIRE CONTACT.  
LOWER SHIELD:  
0.75µm MIN TIN OVER  
0.8µm MIN NICKEL UNDERPLATE
- 3 INTERFACE DIMENSIONS ARE PER HDMI SPECIFICATION VERSION 1.3a.
4. WAVE SOLDER COMPATIBLE PER 109-202, CONDITION B, NO CLEAN FLUX IS RECOMMENDED.
- 5 APPLIED TORQUE MUST NOT EXCEED 4 kg-cm (3.47 in-lbs).
- 6 HOLES INDICATED ARE NOT REQUIRED FOR MOUNTING OF 188811-1 BUT MUST BE ADDED TO ENABLE INTERCHANGEABILITY WITH 1746679.



INSTALLED CONDITION VIEW  
SCALE 4:1

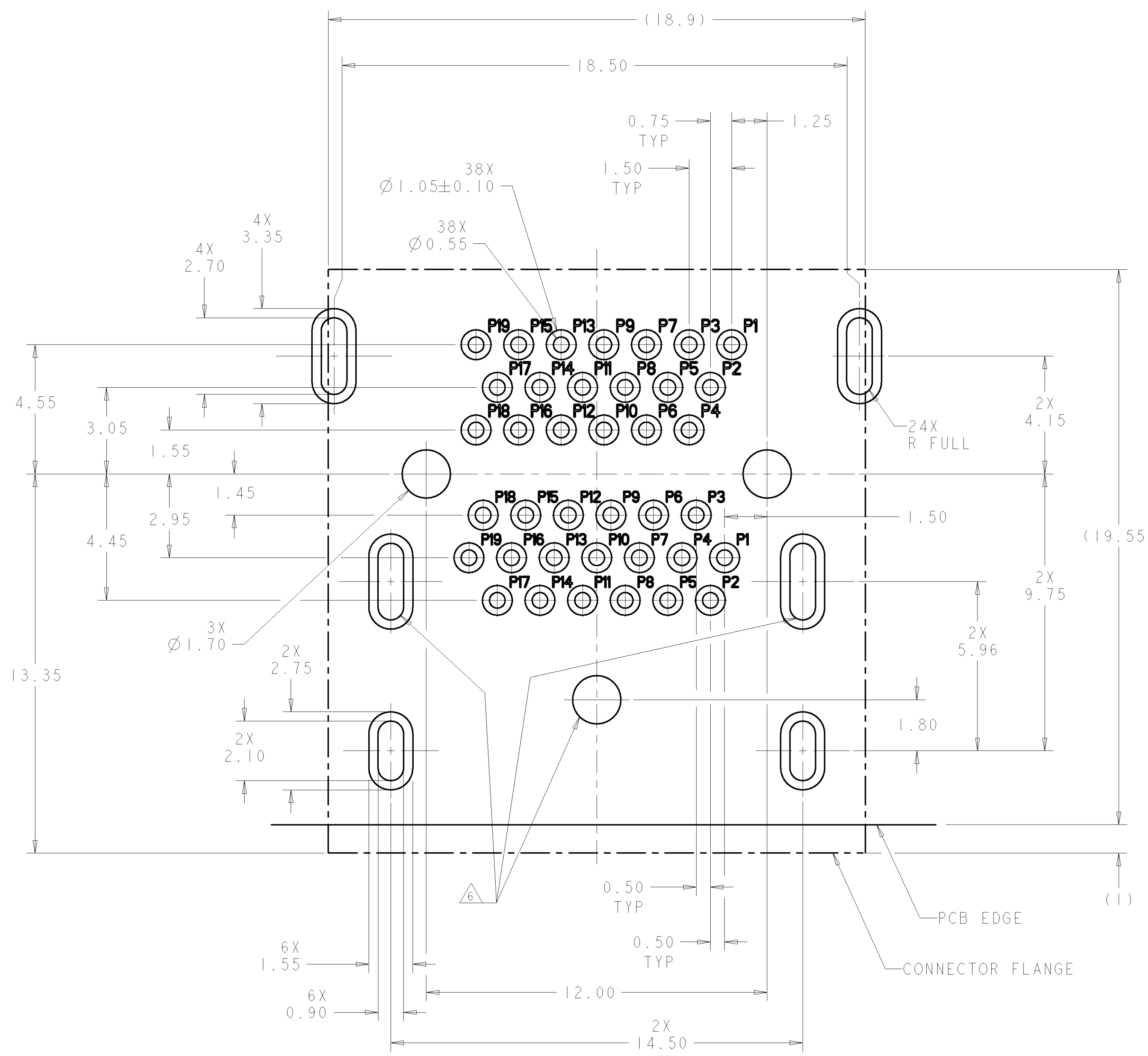
188811-1  
PART NO

DIMENSIONS:		TOLERANCES UNLESS OTHERWISE SPECIFIED:		DWN J. McCLINTON 16 JAN 2007		TE Connectivity	
mm	0 PLC ±0.3	1 PLC ±0.3	2 PLC ±0.05	3 PLC ±0.05	4 PLC ±0.05	APVD J. McCLELLAN 16 JAN 2007	NAME
	ANGLES ±0.5			APVD J. REISINGER 16 JAN 2007		CONNECTOR ASSEMBLY, HDMI STACKED	
MATERIAL	FINISH	WEIGHT	SIZE	CAGE CODE	DRAWING NO	RESTRICTED TO	
1	2		A1	00779	C=188811		
CUSTOMER DRAWING						SCALE 8:1	SHEET 1 OF 2 REV A1

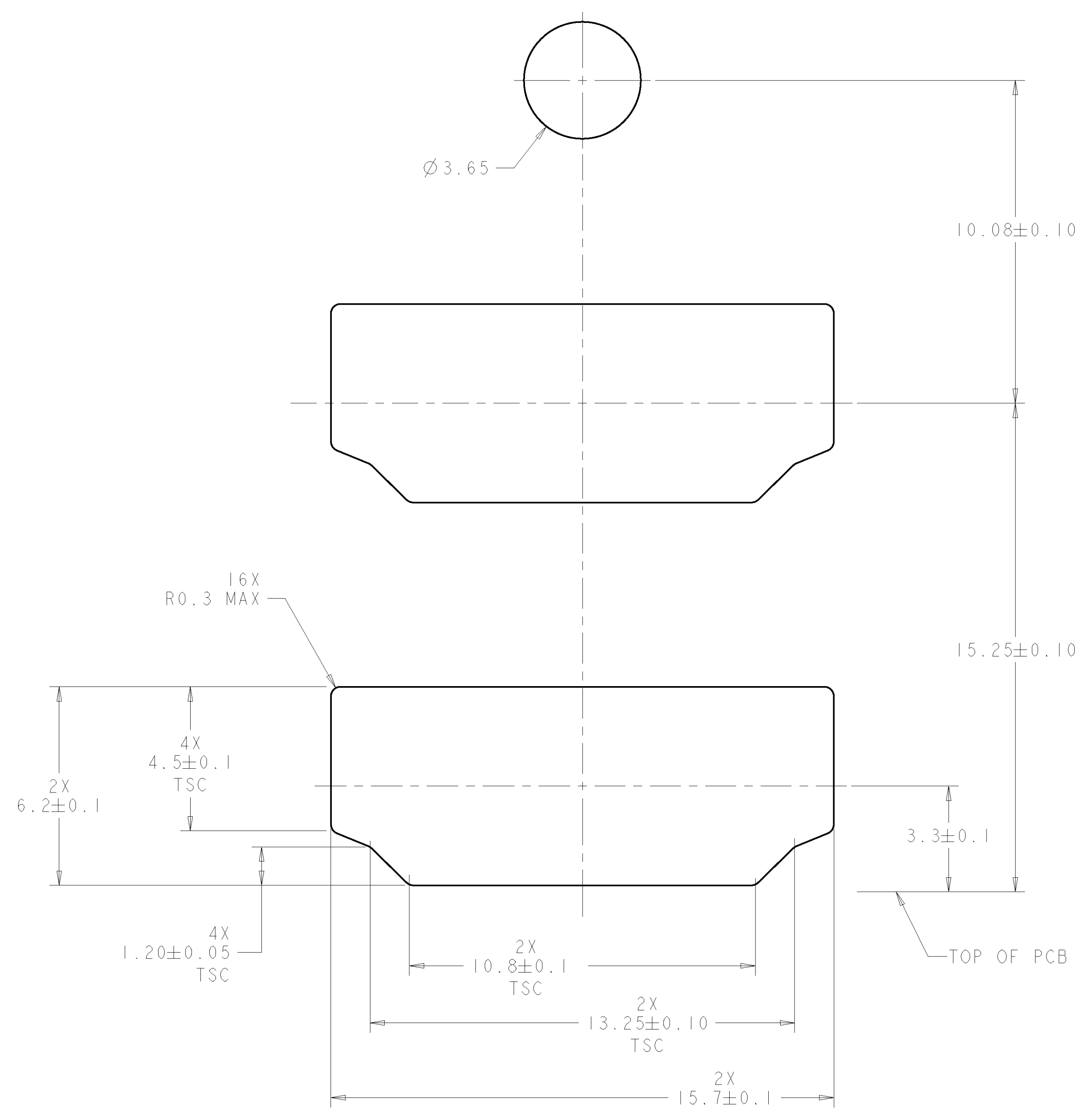
LOC	DIST	REV	DATE	BY	APPD
GP	00				

REVISIONS			
REV	DATE	BY	APPD
-	-	-	-
-	-	-	-



PCB LAYOUT  
 SHOWN FROM CONNECTOR SIDE  
 TOLERANCES ARE NON-CUMULATIVE  
 SCALE 10:1



RECOMMENDED PANEL CUTOUT  
 SCALE 10:1

DIMENSIONS: mm		TOLERANCES UNLESS OTHERWISE SPECIFIED: 0 PLC ± 1 PLC ±0.3 2 PLC ±0.05 3 PLC ± 4 PLC ± ANGLES ±		DWN J. McCLINTON 16 JAN 2007 CDR J. McCLELLAN 16 JAN 2007 APVD J. REISLINGER 16 JAN 2007		<b>STE</b> TE Connectivity	
MATERIAL SEE SHEET 1		FINISH SEE SHEET 1		PRODUCT SPEC APPLICATION SPEC		NAME CONNECTOR ASSEMBLY, HDMI STACKED	
CUSTOMER DRAWING		WEIGHT SIZE CAGE CODE DRAWING NO A100779C-1888811		RESTRICTED TO		SCALE 8:1 SHEET 2 OF 2 REV A1	