



Chipsmall Limited consists of a professional team with an average of over 10 year of expertise in the distribution of electronic components. Based in Hongkong, we have already established firm and mutual-benefit business relationships with customers from,Europe,America and south Asia,supplying obsolete and hard-to-find components to meet their specific needs.

With the principle of “Quality Parts,Customers Priority,Honest Operation,and Considerate Service”,our business mainly focus on the distribution of electronic components. Line cards we deal with include Microchip,ALPS,ROHM,Xilinx,Pulse,ON,Everlight and Freescale. Main products comprise IC,Modules,Potentiometer,IC Socket,Relay,Connector.Our parts cover such applications as commercial,industrial, and automotives areas.

We are looking forward to setting up business relationship with you and hope to provide you with the best service and solution. Let us make a better world for our industry!



Contact us

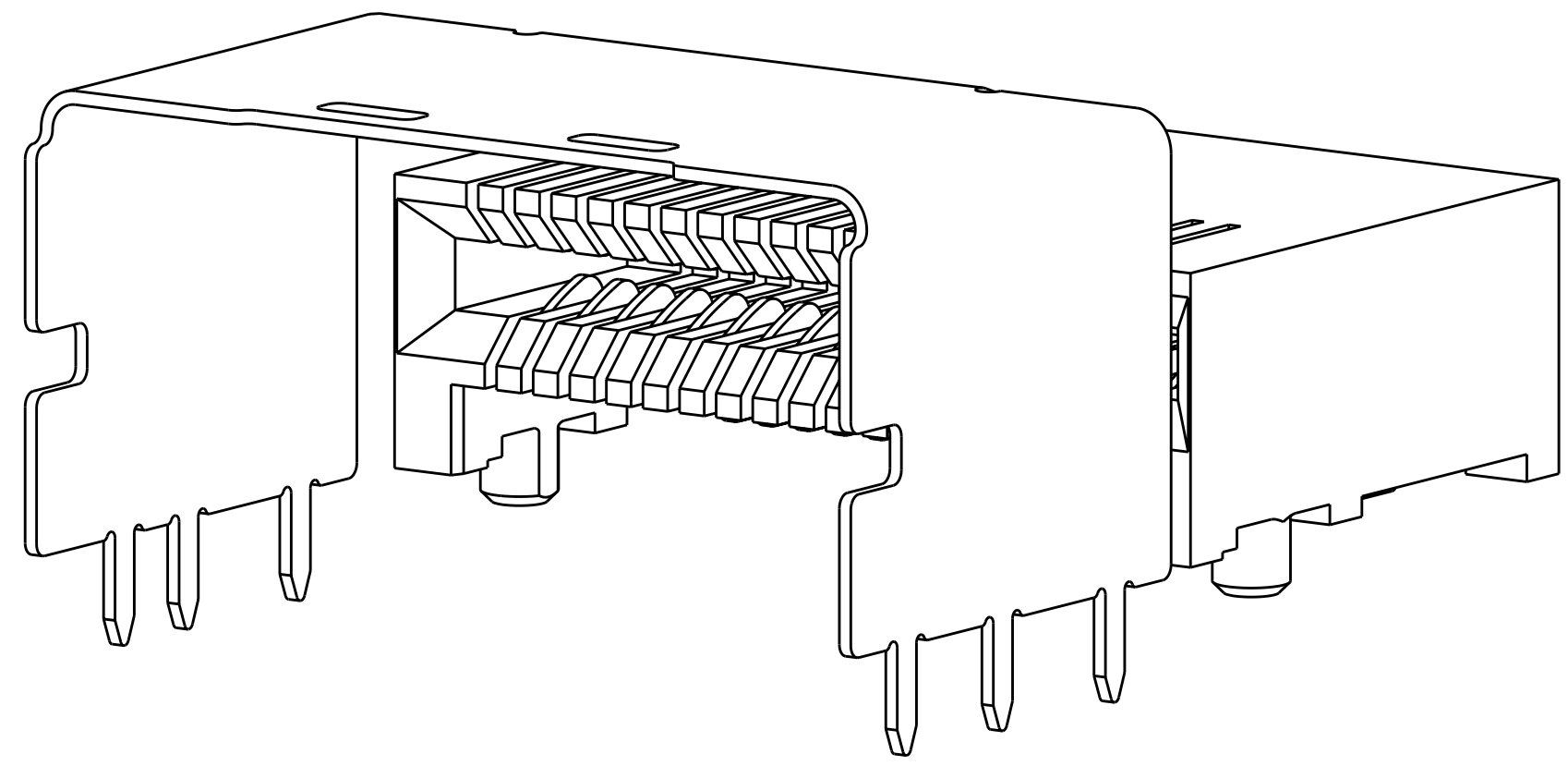
Tel: +86-755-8981 8866 Fax: +86-755-8427 6832

Email & Skype: info@chipsmall.com Web: www.chipsmall.com

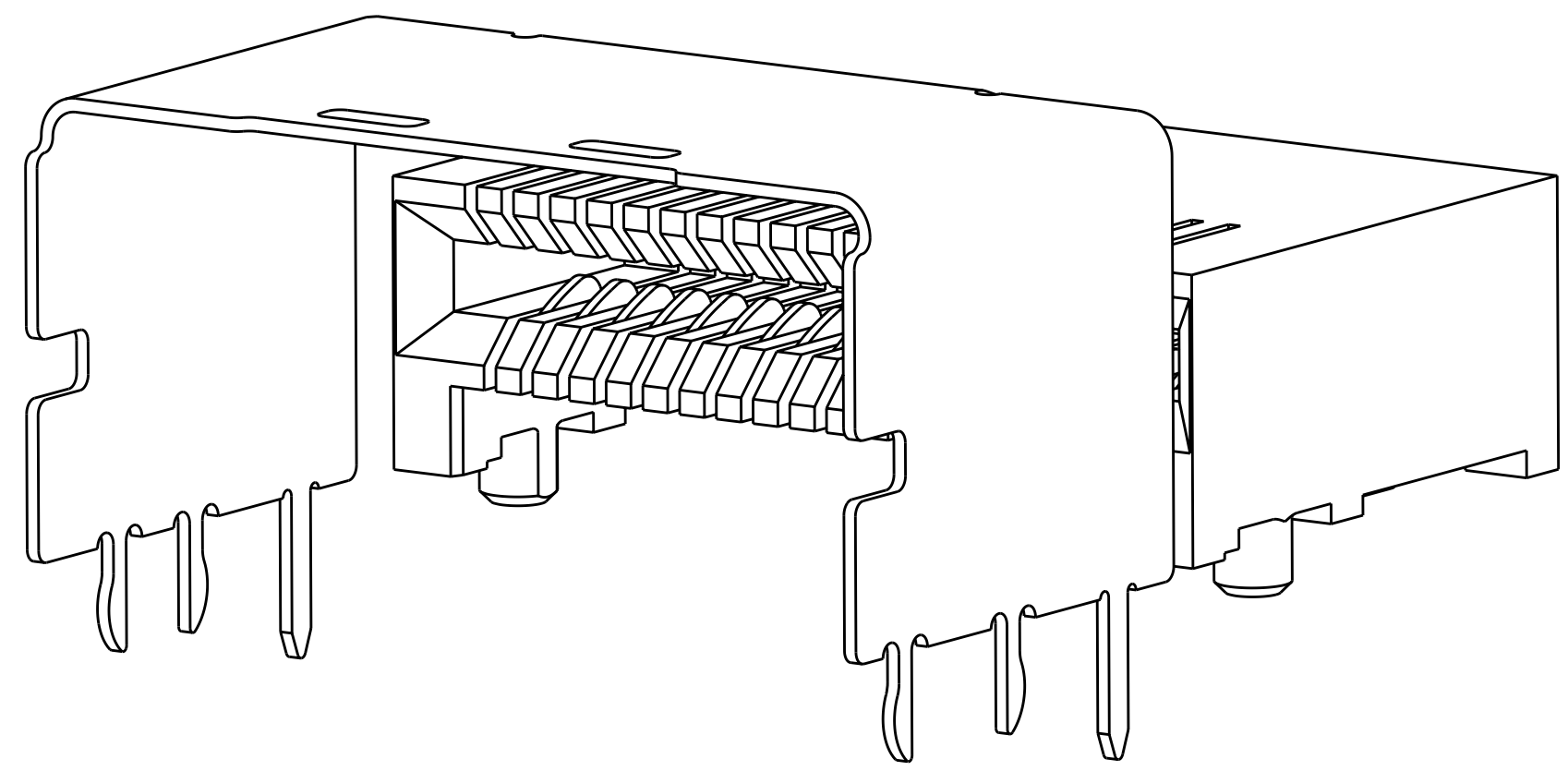
Address: A1208, Overseas Decoration Building, #122 Zhenhua RD., Futian, Shenzhen, China



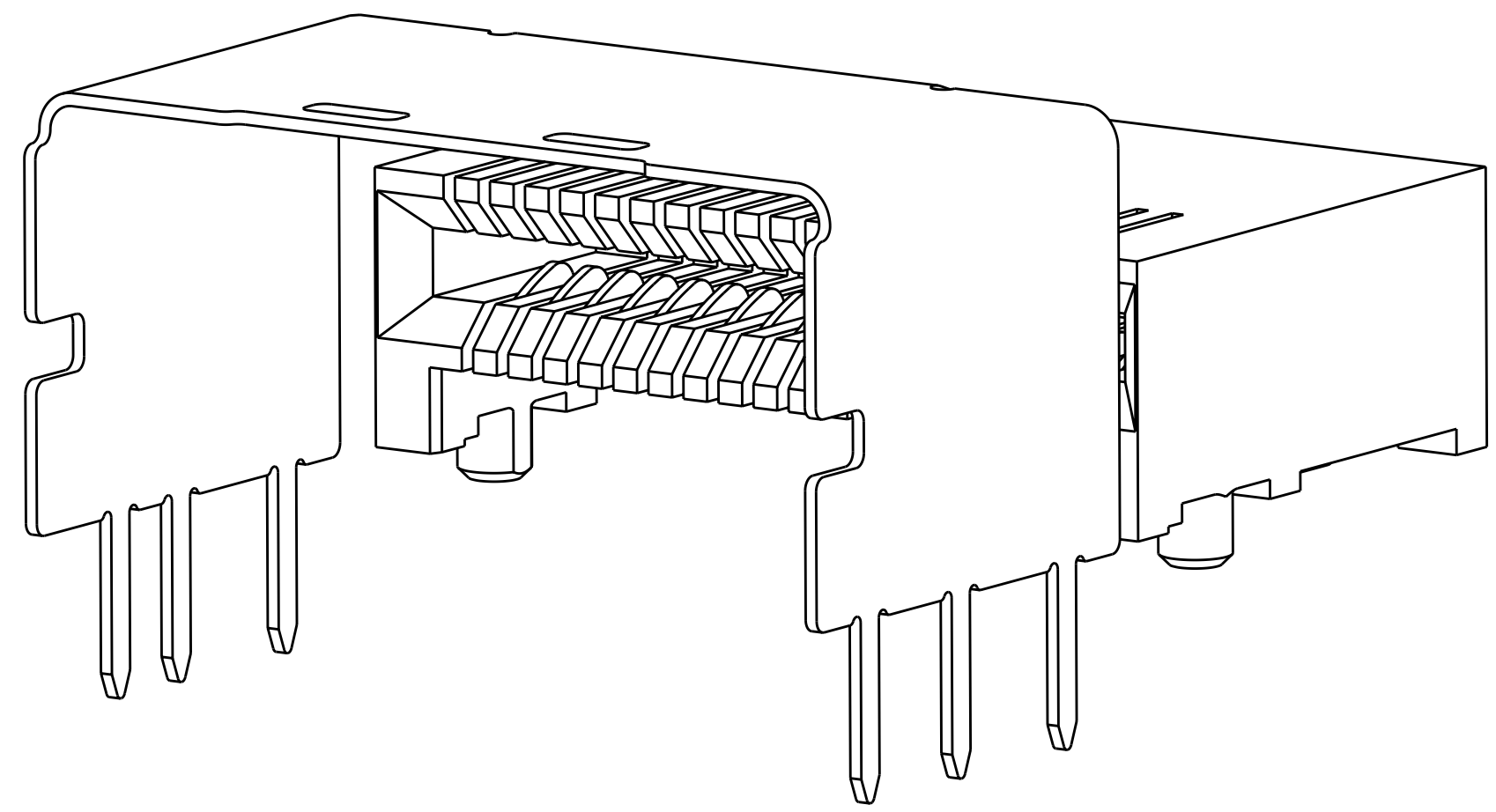
LOC	DIST	REVISIONS			
GP	00	REV	DATE	BY	APPD
		B1	08OCT2009	CR	DG
		B2	02AUG2010	JY	SY



1888861-2 AND 1888861-9
 SHOWN WITHOUT PICK AND PLACE DEVICE



1888861-4 AND 1-1888861-0
 SHOWN WITHOUT PICK AND PLACE DEVICE



1888861-8 AND 1-1888861-2
 SHOWN WITHOUT PICK AND PLACE DEVICE

△ MATERIAL: LCP, BLACK.

△ MATERIAL: PHOSPHOR BRONZE PER ASTM B 103.

△ FINISH: 0.76um MIN GOLD PLATE PER ASTM B 488, APPLIES TO INTERFACE AREA AND 2.03um MIN TIN PLATE SOLDER TAILS, ALL OVER 3.81um MIN NICKEL PLATE PER QQ-N-290.

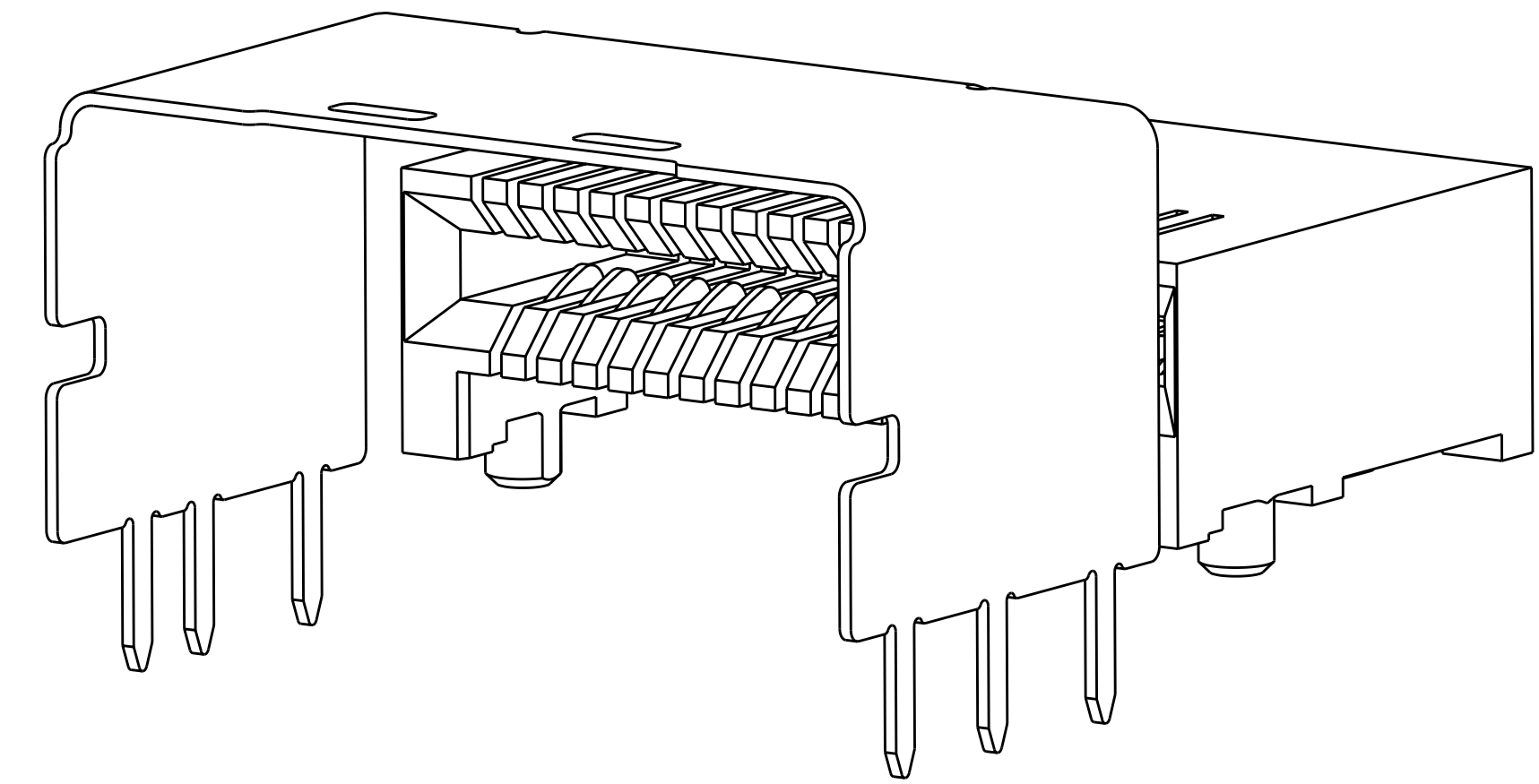
△ MATERIAL: NICKEL-SILVER PER ASTM B 122.

△ DATUM AND BASIC DIMENSION ESTABLISHED BY CUSTOMER.

6. REFER TO CUSTOMER DRAWING 1761987 FOR CONNECTOR DETAILS.

7. PACKAGED IN TAPE AND REEL PER EIA-481.

△ FINISH: 0.38um MIN GOLD PLATE PER ASTM B 488, APPLIES TO INTERFACE AREA AND 2.03um MIN TIN PLATE SOLDER TAILS, ALL OVER 3.81um MIN NICKEL PLATE PER QQ-N-290.



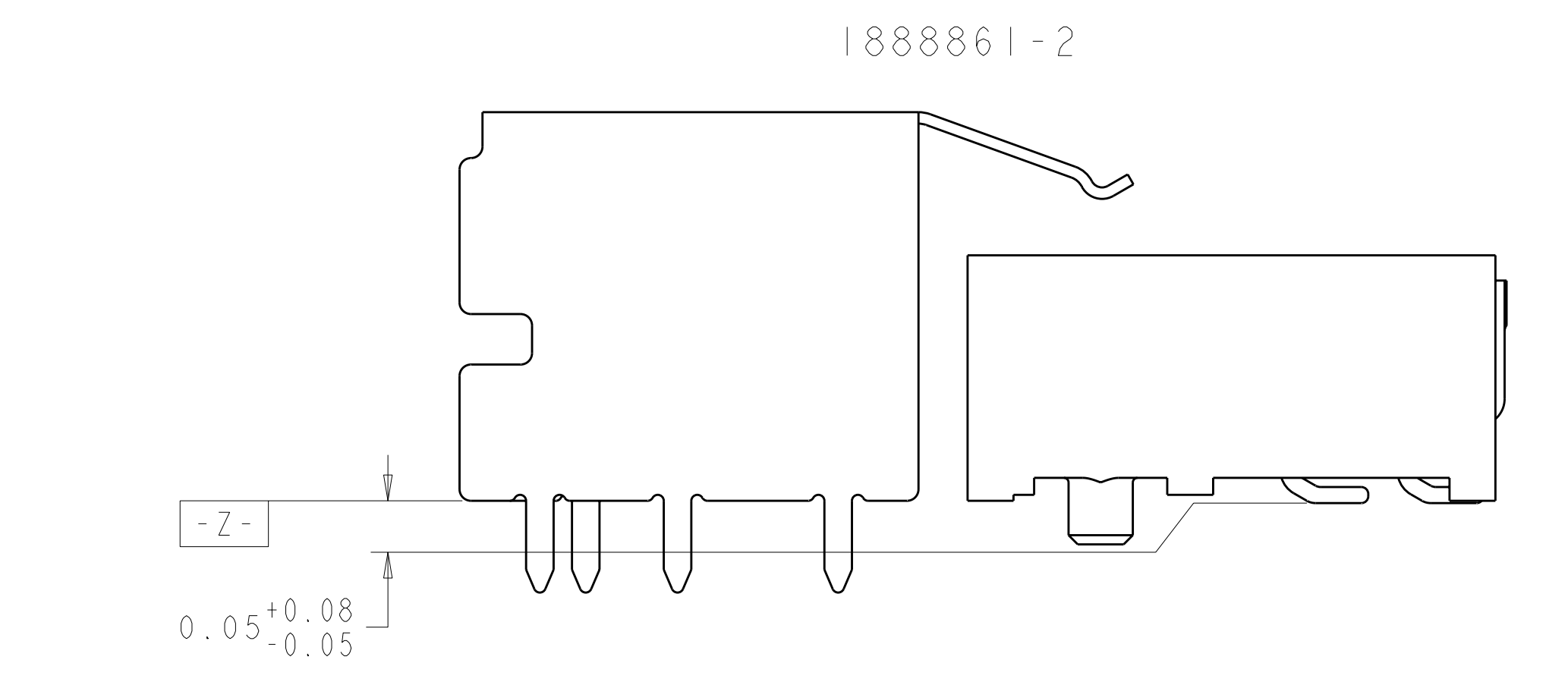
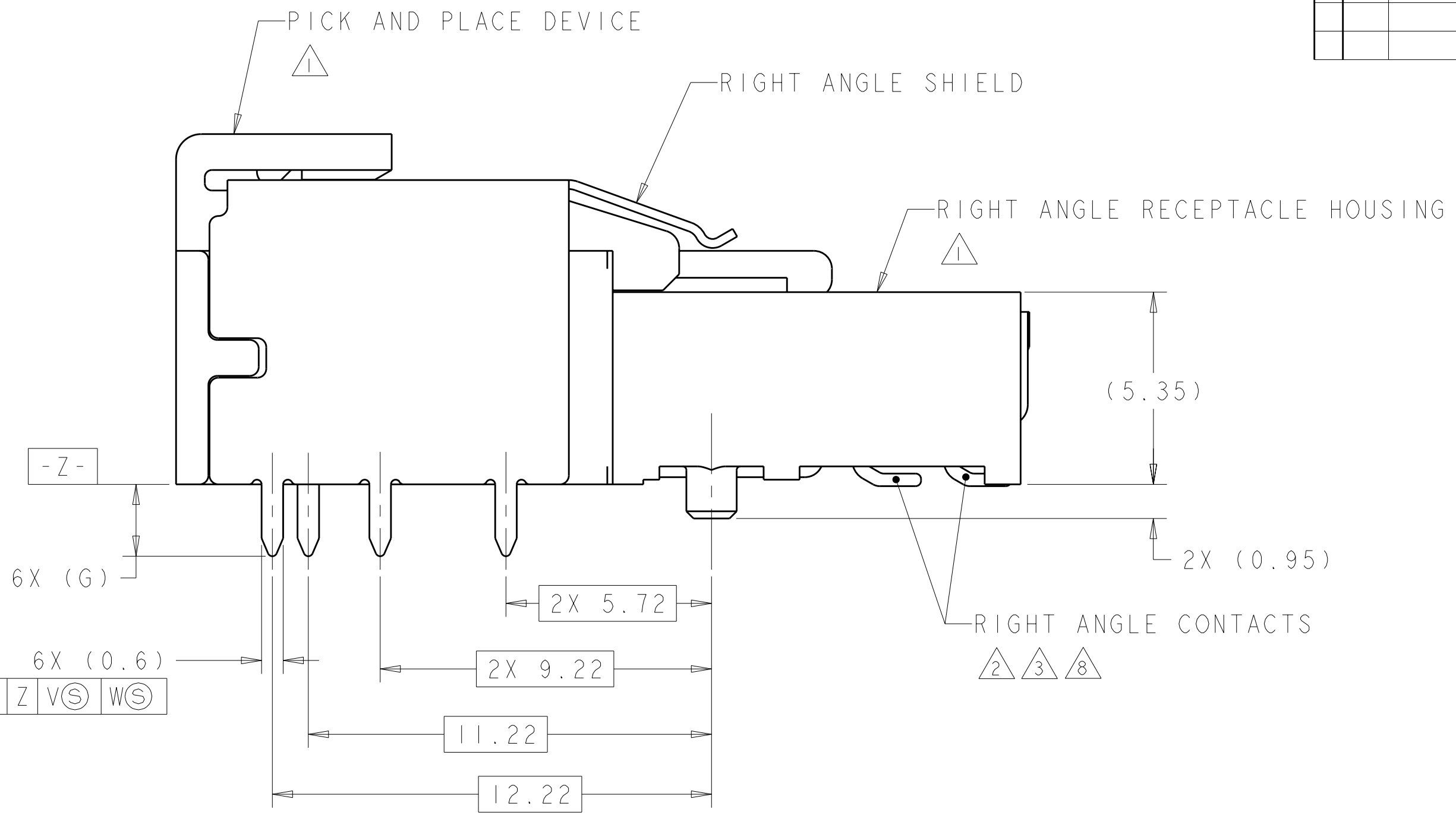
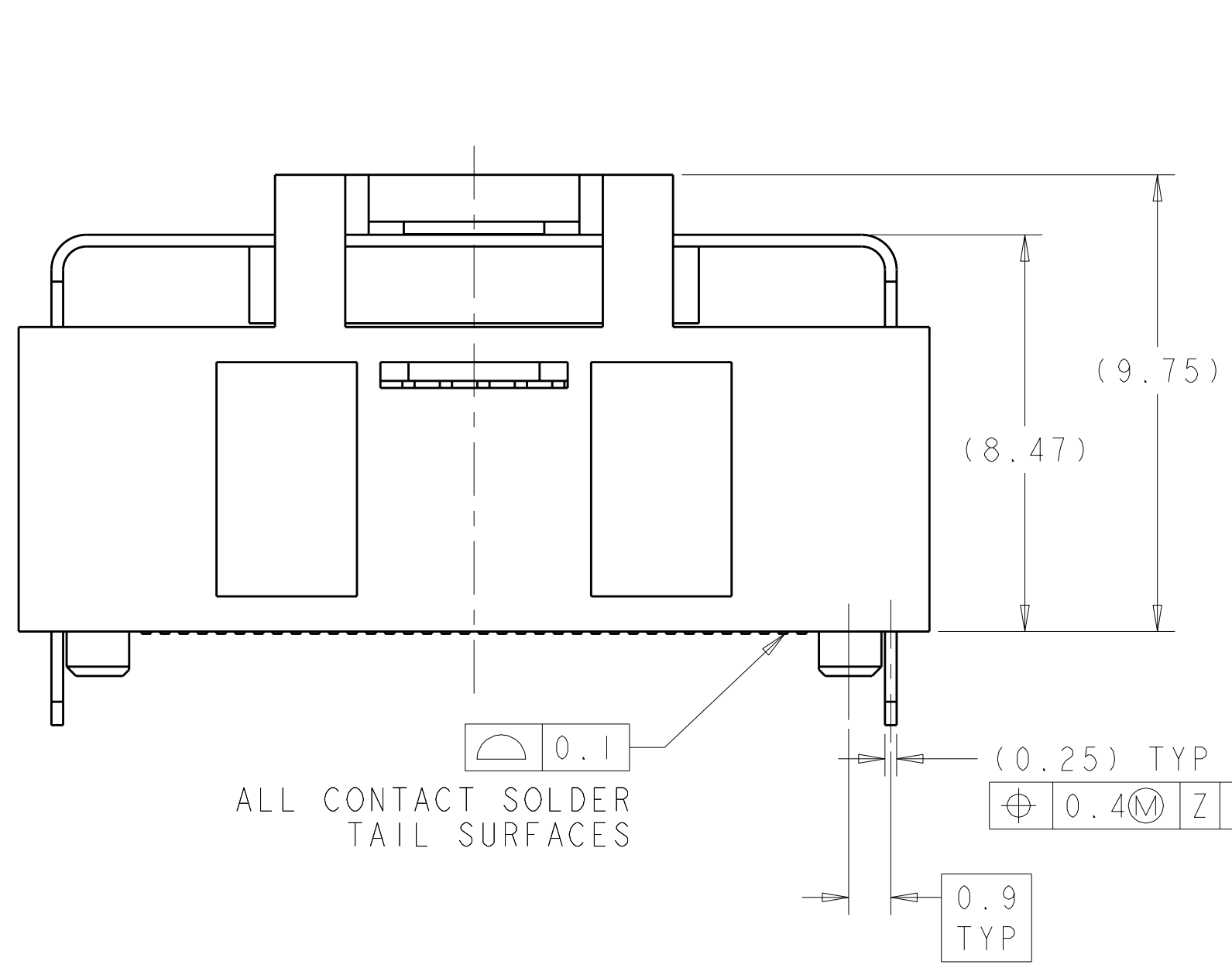
1888861-6 AND 1-1888861-1
 SHOWN WITHOUT PICK AND PLACE DEVICE

FINISH	REMARKS	G	E	D	C	B	A	POSN	PART NUMBER
△	THRU HOLE	3.5	17.8	16	16	36	18.05	36	1-1888861-2
	PRESS FIT	-	17.8	16	16	36	18.05	36	1-1888861-0
	THRU HOLE	2	17.8	16	16	36	18.05	36	1888861-9
△	THRU HOLE	3.5	17.8	16	16	36	18.05	36	1888861-8
	PRESS FIT	-	17.8	16	16	36	18.05	36	1888861-4
	THRU HOLE	2	17.8	16	16	36	18.05	36	1888861-2

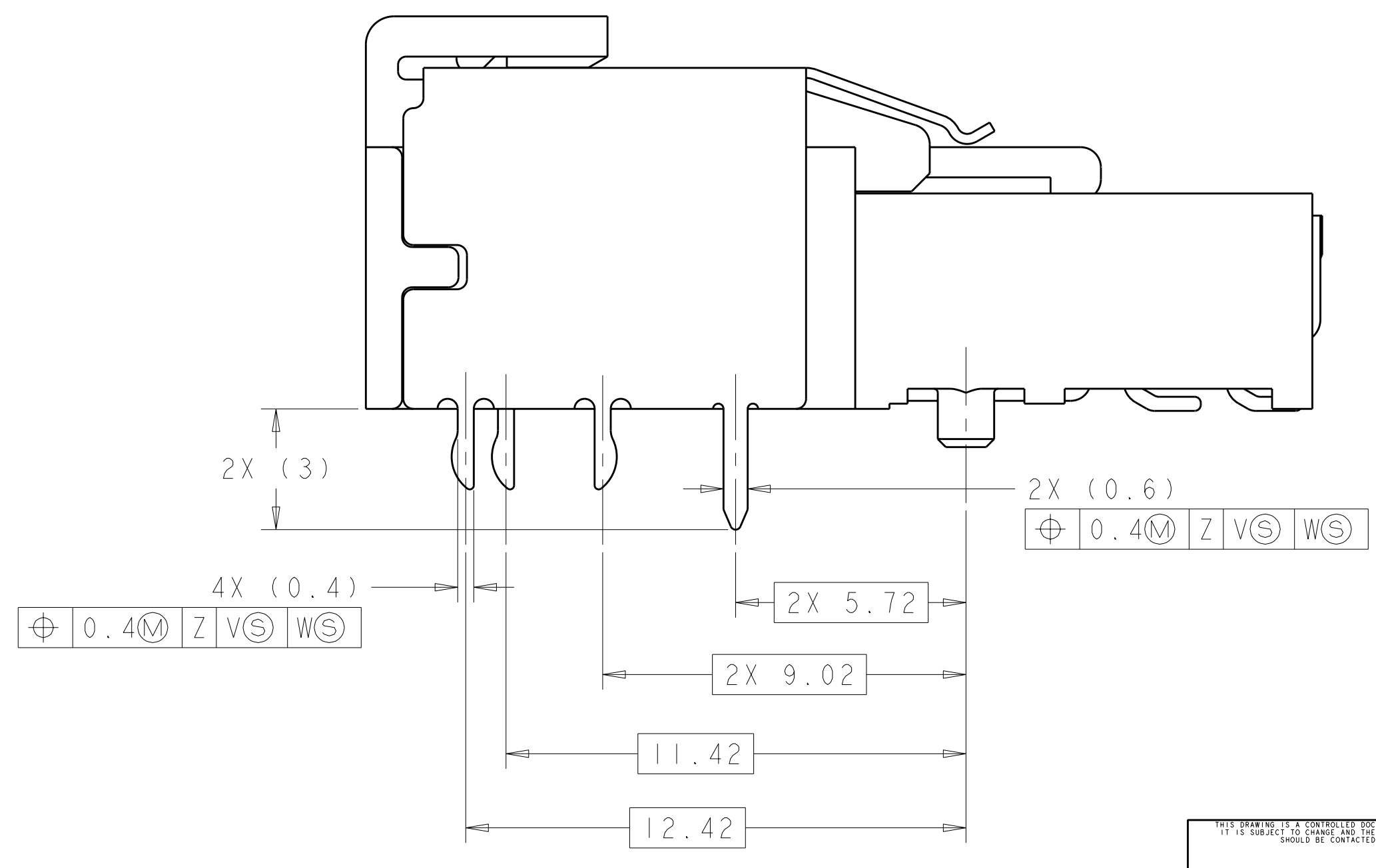
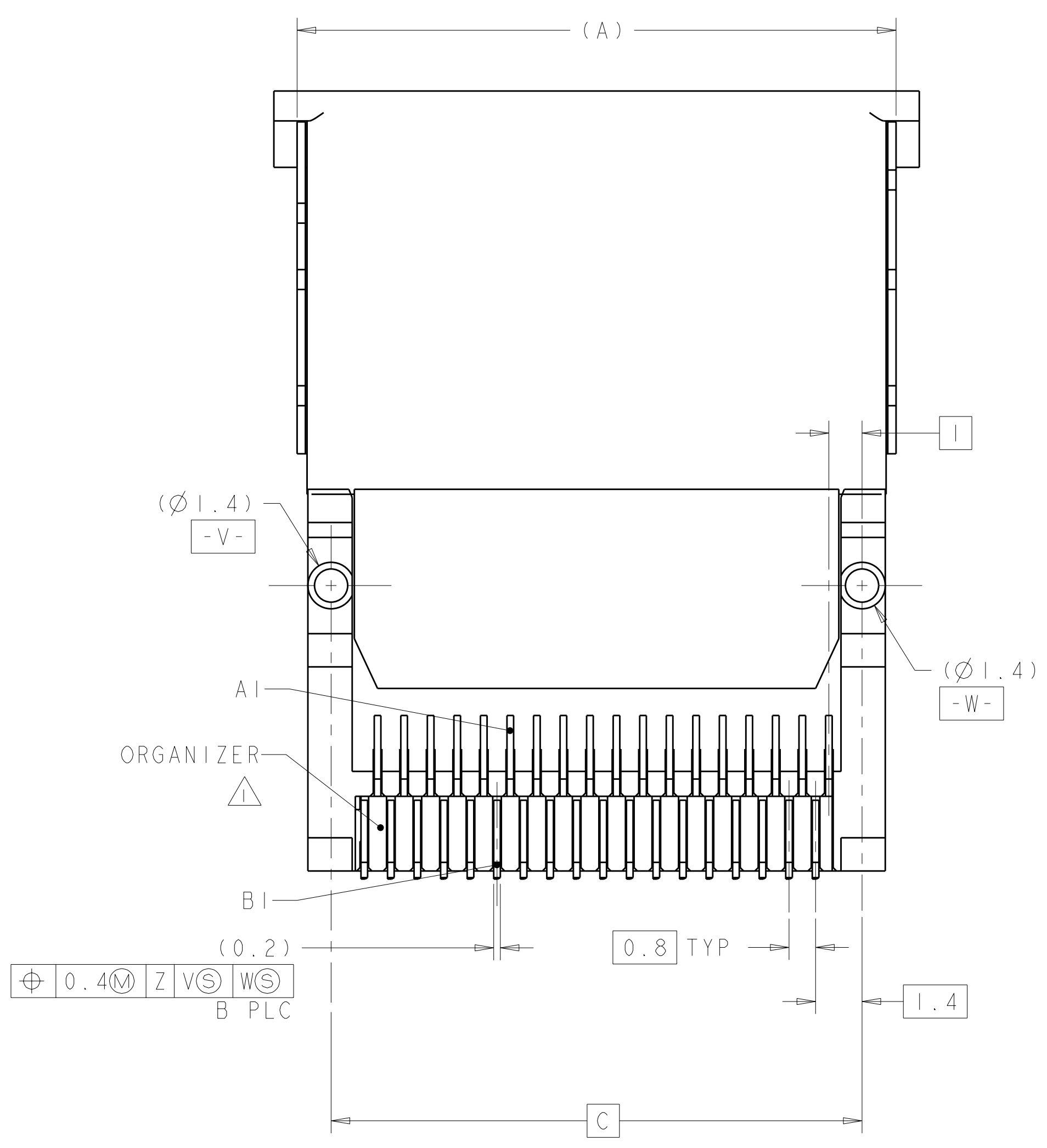
DIMENSIONS: mm 		TOLERANCES UNLESS OTHERWISE SPECIFIED: 9 PLC ± 1 PLC ± 5 PLC ± 4 PLC ± ANGLES ± FINISH ±		DWN B. MCMASTER 21FEB07 CHK D. GORENC 21FEB07 APVD D. GORENC 21FEB07		Tyco Electronics Harrisburg, PA 17105-3608	
MATERIAL: SEE NOTES		FINISH: SEE TABLE		NAME: EVERCLEAR Mini-SAS RIGHT ANGLE, INTERNAL RECEPTACLE ASSEMBLY, WITH UNKEYED SHELL		SIZE: CAGE CODE: DRAWING NO: A100779C=1888861	
CUSTOMER DRAWING				WEIGHT: -		SCALE: 8:1 SHEET 1 OF 3 REV: B2	

LOC	DIST	REV	DATE	BY	APPD
GP	00				

REVISIONS		DATE	BY	APPD
1	SEE SHEET 1			



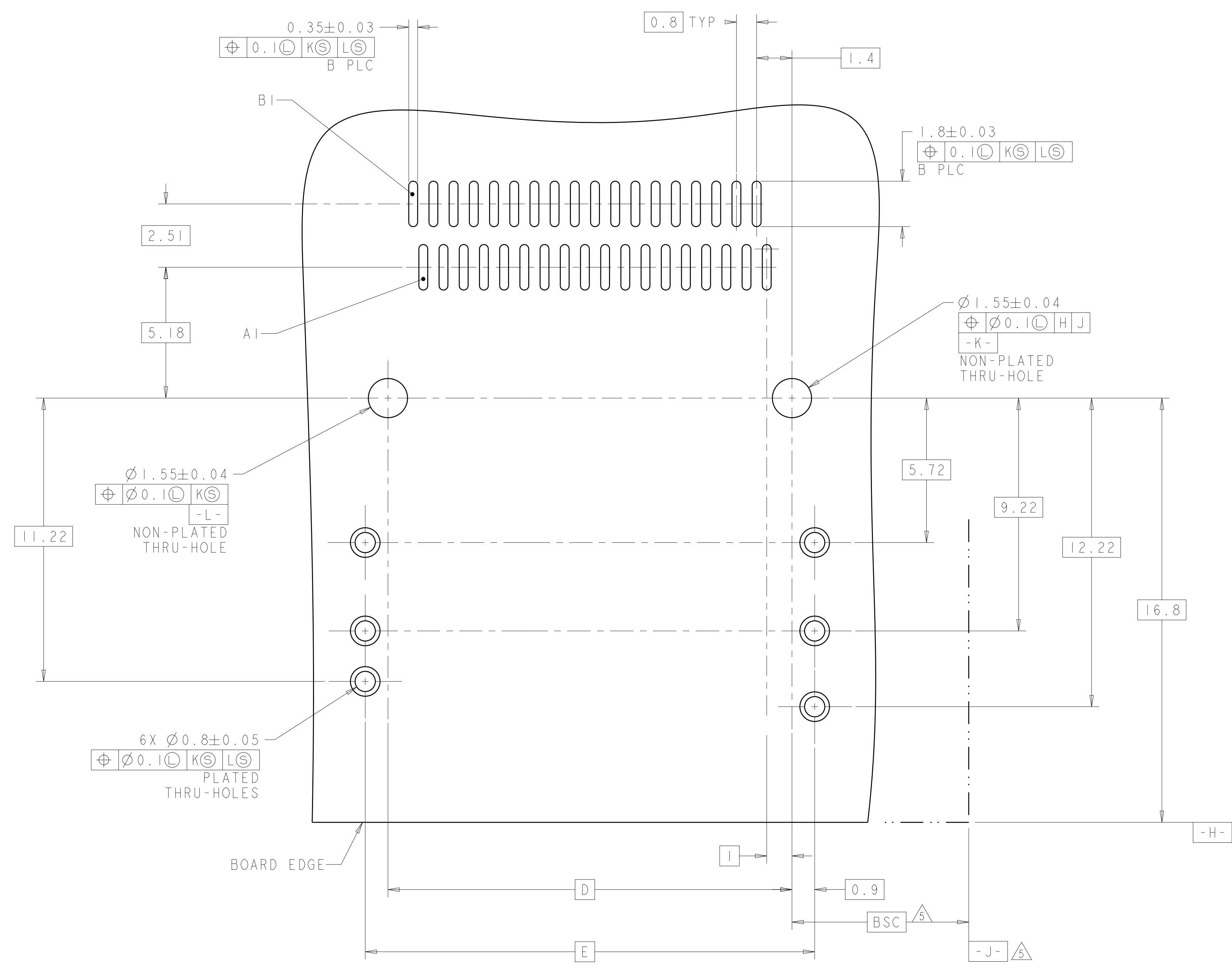
1888861-2
 PICK AND PLACE DEVICE OMITTED FOR CLARITY



1888861-4
 SAME AS 1888861-2 EXPECT AS SHOWN

<small>THIS DRAWING IS UNPUBLISHED. RELEASED FOR PUBLICATION 20. IT IS SUBJECT TO CHANGE WITHOUT NOTICE AND WITHOUT OBLIGATION. TOLERANCES UNLESS OTHERWISE SPECIFIED:</small>		DWN: B. MCMASTER 21FEB07 CHK: D. GORENC 21FEB07 APVD: D. GORENC 21FEB07	Tyco Electronics Harrisburg, PA 17105-3608
DIMENSIONS: mm 	TOLERANCES UNLESS OTHERWISE SPECIFIED: 9 PLC ± 5 PLC ± 4 PLC ± ANGLES ±	NAME: EVERCLEAR Mini-SAS RIGHT ANGLE, INTERNAL RECEPTACLE ASSEMBLY, WITH UNKEYED SHELL PRODUCT SPEC: 108-2234 APPLICATION SPEC:	SIZE: A 00779 C=1888861 RESTRICTED TO:
MATERIAL: SEE NOTES	FINISH: SEE TABLE	WEIGHT: -	SCALE: 5:1 SHEET 2 OF 3 REV: B2
CUSTOMER DRAWING			

LOC	DIST	REVISIONS					
GP	00	P	LTB	DESCRIPTION	DATE	DWN	APVD
		-	-	SEE SHEET 1	-	-	-



RECOMMENDED PCB LAYOUT
 SCALE 10:1

<small>THIS DRAWING IS UNPUBLISHED. IT IS SUBJECT TO CHANGE WITHOUT NOTICE AND WITHOUT OBLIGATION. TOLERANCES UNLESS OTHERWISE SPECIFIED: DIMENSIONS: mm</small>		DWN: B. MCMASTER 21FEB07 CHK: D. GORENC 21FEB07 APVD: D. GORENC 21FEB07	Tyco Electronics Harrisburg, PA 17105-3608
DIMENSIONS: mm TOLERANCES UNLESS OTHERWISE SPECIFIED: 9 PLC ± 7 PLC ± 5 PLC ± 4 PLC ± ANGLES ±	FINISH: SEE TABLE	NAME: EVERCLEAR Mini-SAS RIGHT ANGLE, INTERNAL RECEPTACLE ASSEMBLY, WITH UNKEYED SHELL PRODUCT SPEC: 108-2234 APPLICATION SPEC:	SIZE: A 00779 C=1888861 CUSTOMER DRAWING
MATERIAL: SEE NOTES		WEIGHT: - SCALE: 5:1	SHEET: 3 OF 3 REV: B2