



Chipsmall Limited consists of a professional team with an average of over 10 year of expertise in the distribution of electronic components. Based in Hongkong, we have already established firm and mutual-benefit business relationships with customers from,Europe,America and south Asia,supplying obsolete and hard-to-find components to meet their specific needs.

With the principle of “Quality Parts,Customers Priority,Honest Operation,and Considerate Service”,our business mainly focus on the distribution of electronic components. Line cards we deal with include Microchip,ALPS,ROHM,Xilinx,Pulse,ON,Everlight and Freescale. Main products comprise IC,Modules,Potentiometer,IC Socket,Relay,Connector.Our parts cover such applications as commercial,industrial, and automotives areas.

We are looking forward to setting up business relationship with you and hope to provide you with the best service and solution. Let us make a better world for our industry!



Contact us

Tel: +86-755-8981 8866 Fax: +86-755-8427 6832

Email & Skype: info@chipsmall.com Web: www.chipsmall.com

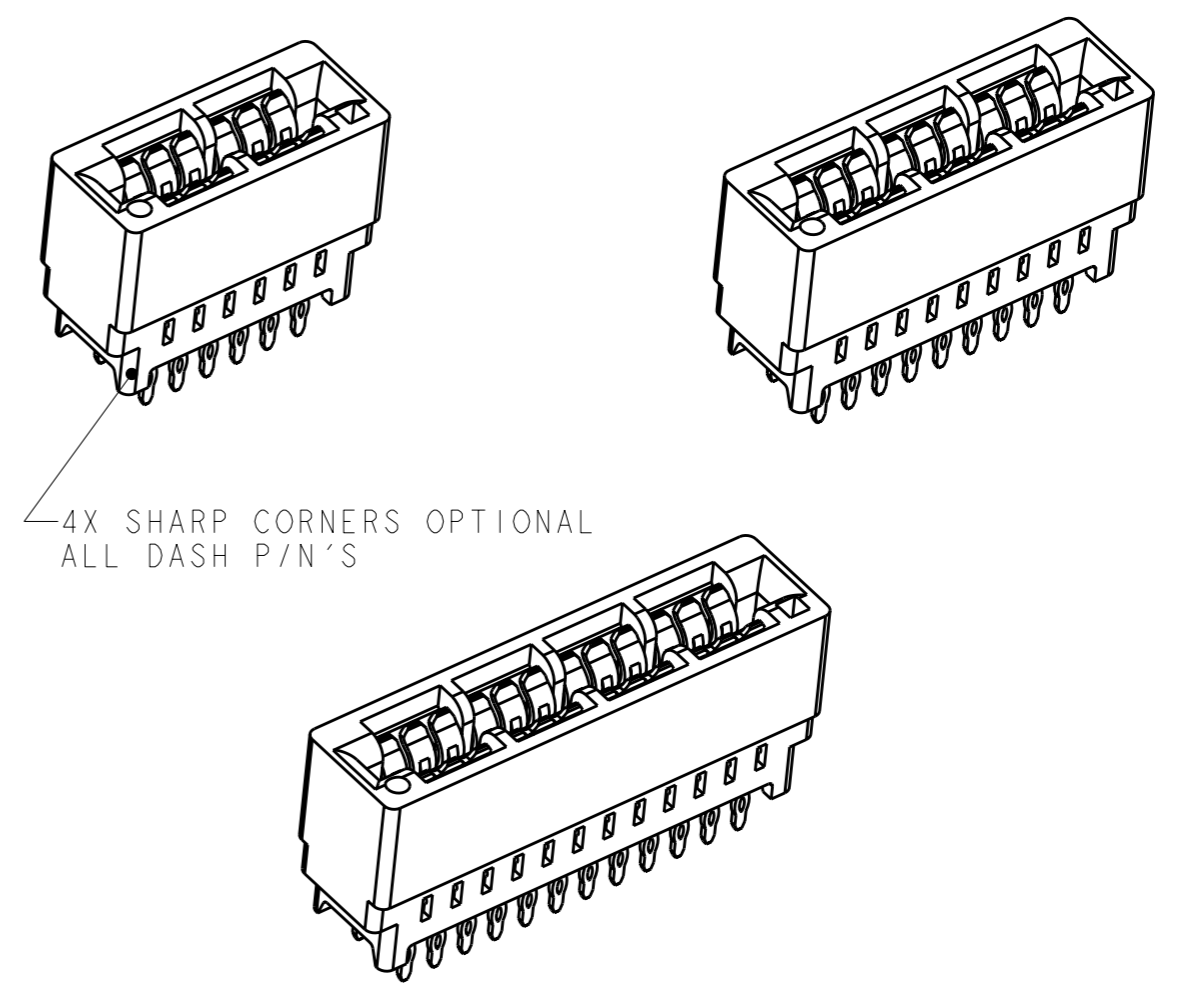
Address: A1208, Overseas Decoration Building, #122 Zhenhua RD., Futian, Shenzhen, China



THIS DRAWING IS UNPUBLISHED. RELEASED FOR PUBLICATION 20
 © COPYRIGHT 20 BY TYCO ELECTRONICS CORPORATION. ALL RIGHTS RESERVED.

LOC	DIST	REVISIONS				
P	LTR	DESCRIPTION	DATE	DWN	APVD	
GP	00					
	D	REV PER ECO-08-005754	18MAR2008	RG	AF	
	E	REV PER ECO-08-018161	06AUG2008	RG	AF	
	F	REV PER ECO-09-007931	04MAY2009	RG	EH	

- HOUSING: GLASS FILLED POLYESTER, BLACK
CONTACT: HIGH CONDUCTIVITY COPPER ALLOY.
- NICKEL PLATE .00127 (.000050) MIN - ALL OVER
MATTE TIN PLATE .00254 (.000100) MIN - SOLDER POSTS.
GOLD PLATE .00038 [.000015] - IN MATING AREA.
- △ PART NUMBER AND DATE CODE MARKED IN APPROXIMATE AREA AS SHOWN, EITHER SIDE.
- △ SEE TYCO ELECTRONICS APPLICATION SPEC. 114-13018 FOR PCB DETAILS.



11	32.56 [1.282]	22.86 [0.900]	24	3	34.29 [1.350]	27.94 [1.100]	33.02 [1.300]	37.08 [1.460]	4	1888946-3
8	24.94 [0.982]	15.24 [0.600]	18	2	26.67 [1.050]	20.32 [0.800]	25.40 [1.000]	29.46 [1.160]	3	1888946-2
5	17.32 [0.682]	7.62 [0.300]	12	1	19.05 [0.750]	12.70 [0.500]	17.78 [0.700]	21.84 [0.860]	2	1888946-1
"J"	DIM "H"	DIM "G"	"F"	"E"	DIM "D" ±0.25 [±0.009]	DIM "C"	DIM "B" ±0.25 [±0.009]	DIM "A"	NUMBER OF POSITIONS	PART NUMBER

THIS DRAWING IS A CONTROLLED DOCUMENT FOR TYCO ELECTRONICS CORPORATION IT IS SUBJECT TO CHANGE AND THE CONTROLLING ENGINEERING ORGANIZATION SHOULD BE CONTACTED FOR THE LATEST REVISION.

DIMENSIONS: mm [INCHES]	TOLERANCES UNLESS OTHERWISE SPECIFIED:	DWN G. PETERS 13FEB2007	Tyco Electronics Harrisburg, PA 17105-3608
	0 PLC ±-	CHK A. FRANTUM 13FEB2007	
	1 PLC ±-	APVD S. FLICKINGER 13FEB2007	
	2 PLC ±.013 [0.005]	PRODUCT SPEC 108-2202	
MATERIAL NOTE 1	FINISH NOTE 2	APPLICATION SPEC 114-13018	NAME CONNECTOR ASSEMBLY, SEC 11 POWER, DUAL POSITION
		WEIGHT -	SIZE A3
		CUSTOMER DRAWING	CAGE CODE 00779
			DRAWING NO 1888946
			RESTRICTED TO -
			SCALE :
			SHEET 1
			OF 3
			REV F

4

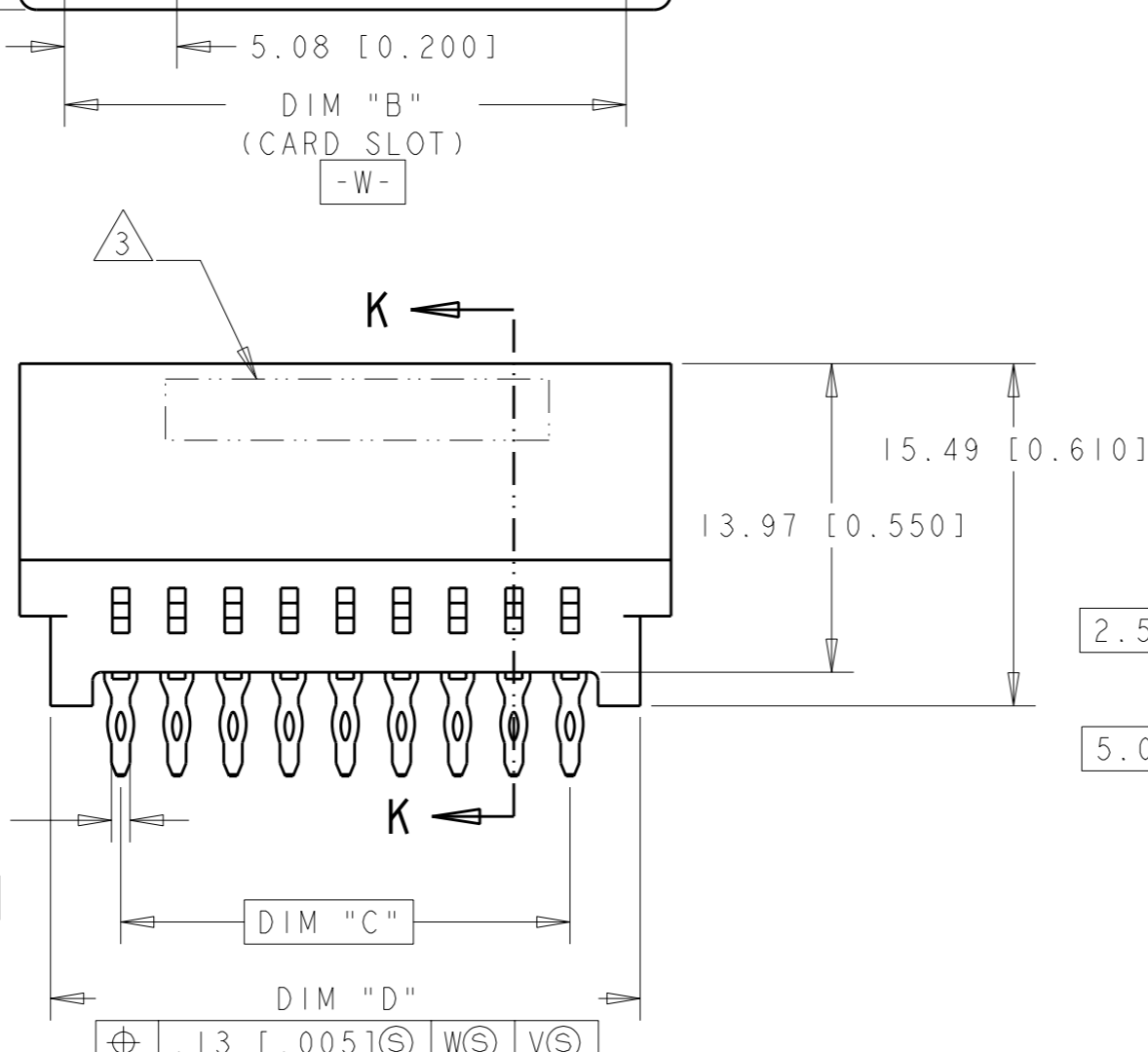
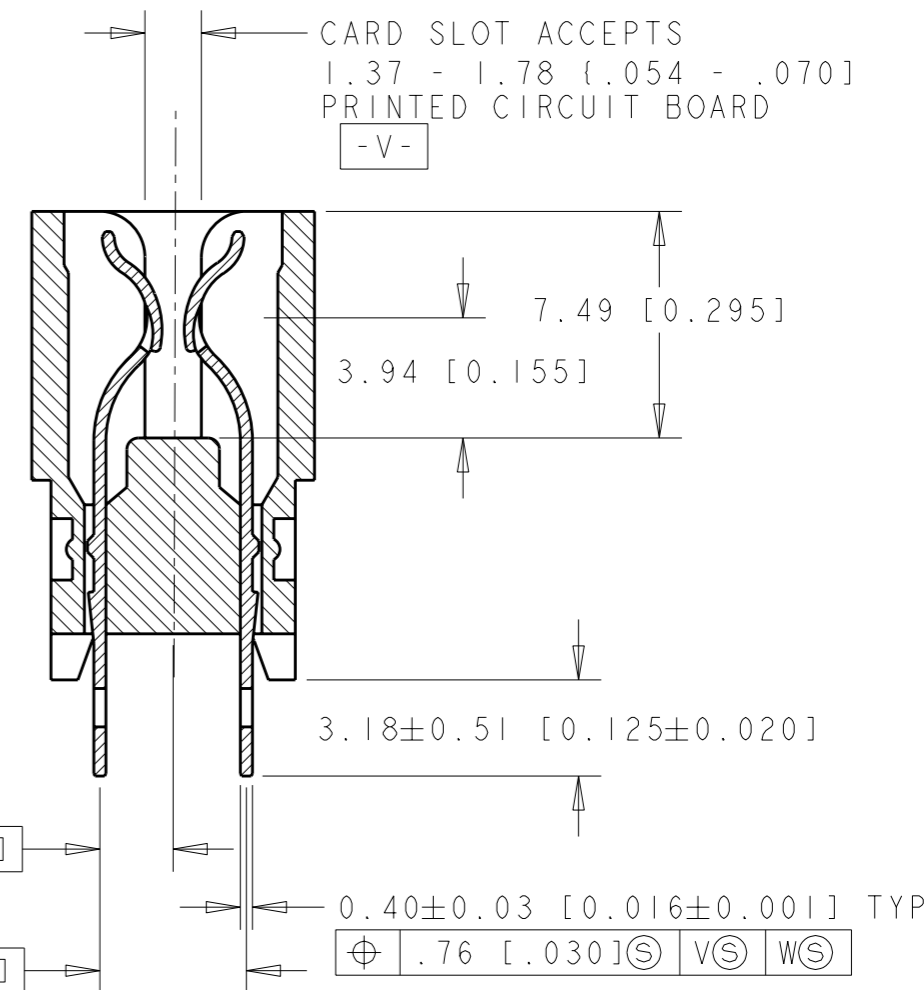
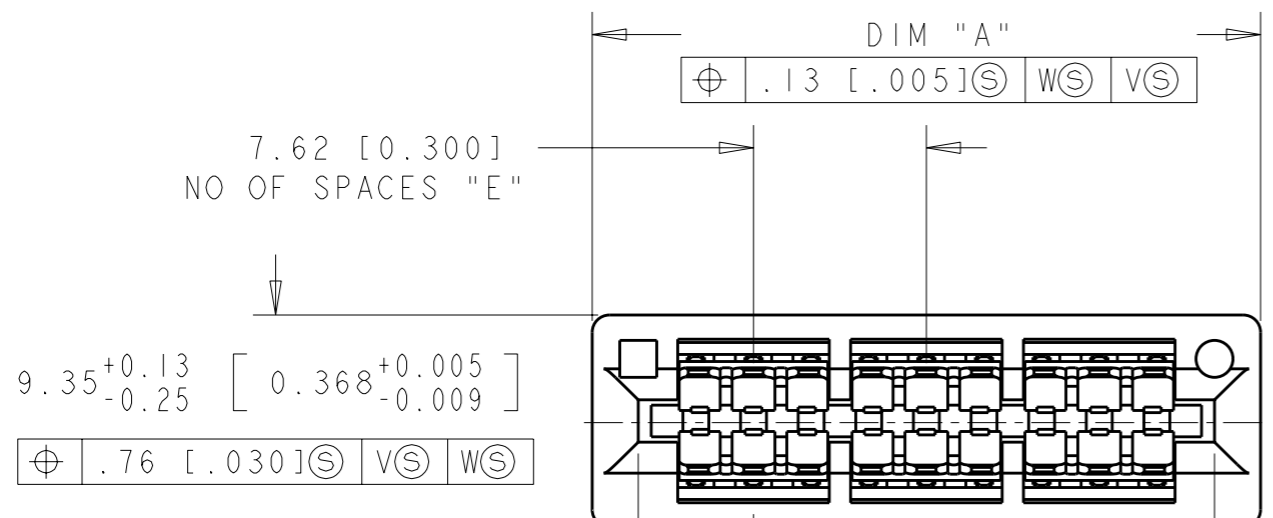
3

2

1

THIS DRAWING IS UNPUBLISHED. RELEASED FOR PUBLICATION 20
 © COPYRIGHT 20 BY TYCO ELECTRONICS CORPORATION. ALL RIGHTS RESERVED.

LOC	DIST	REVISIONS				
P	LTR	DESCRIPTION	DATE	DWN	APVD	
GP	00	-	SEE SHEET 1	-	-	

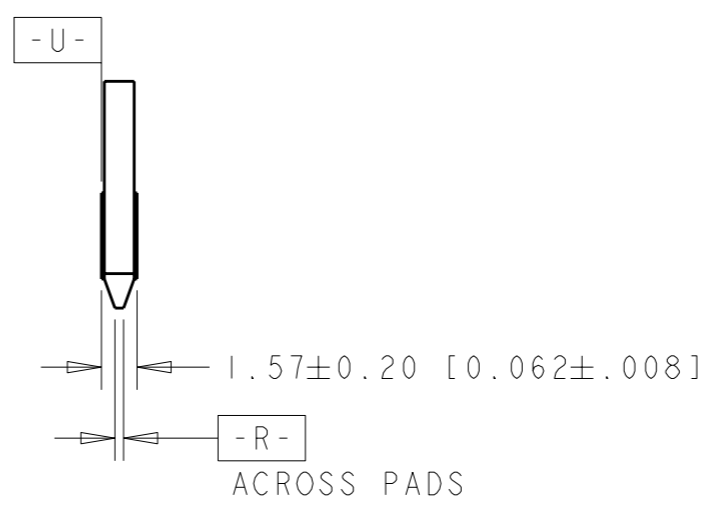
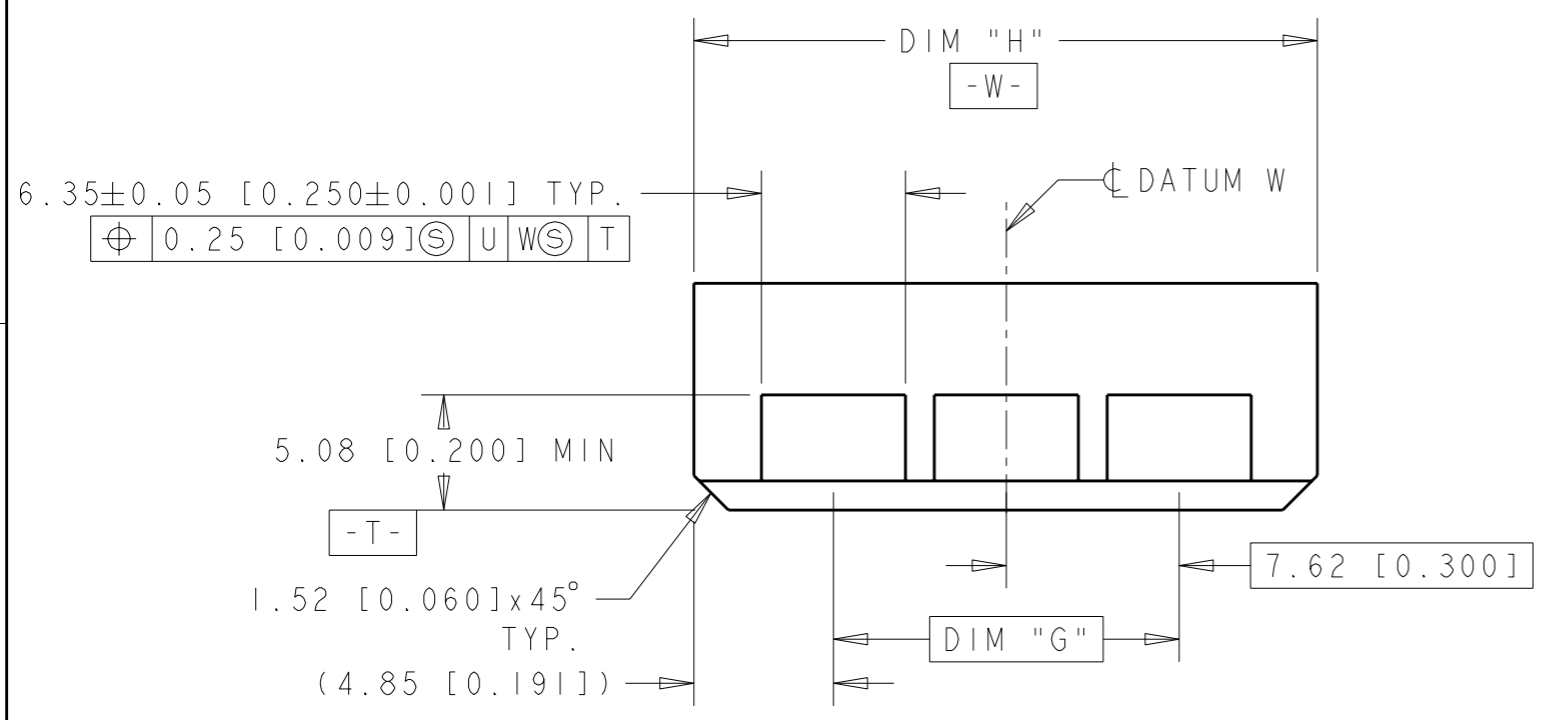


SECTION K-K
SCALE 4:1

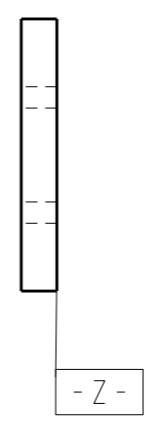
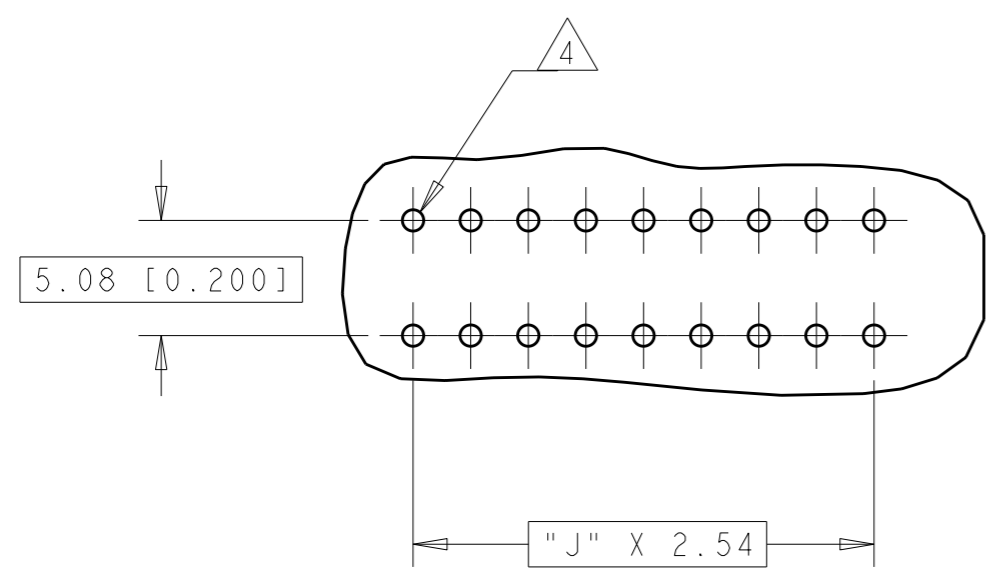
<small>THIS DRAWING IS A CONTROLLED DOCUMENT FOR TYCO ELECTRONICS CORPORATION IT IS SUBJECT TO CHANGE AND THE CONTROLLING ENGINEERING ORGANIZATION SHOULD BE CONTACTED FOR THE LATEST REVISION.</small>		DWN G. PETERS 13FEB2007 CHK A. FRANTUM 13FEB2007 APVD S. FLICKINGER 13FEB2007		tyco Tyco Electronics Electronics Harrisburg, PA 17105-3608	
DIMENSIONS: mm [INCHES]		TOLERANCES UNLESS OTHERWISE SPECIFIED: 0 PLC ±- 1 PLC ±- 2 PLC ±.013 [0.005] 3 PLC ±- 4 PLC ±- ANGLES ±2		NAME CONNECTOR ASSEMBLY, SEC II POWER, DUAL POSITION	
MATERIAL NOTE 1		FINISH NOTE 2		PRODUCT SPEC - APPLICATION SPEC - WEIGHT -	
		CUSTOMER DRAWING		SIZE A3 CAGE CODE 00779 DRAWING NO C-1888946 RESTRICTED TO -	
		SCALE 1:1		SHEET 2 OF 3 REV F	

THIS DRAWING IS UNPUBLISHED. RELEASED FOR PUBLICATION 20
 © COPYRIGHT 20 BY TYCO ELECTRONICS CORPORATION. ALL RIGHTS RESERVED.

LOC	DIST	REVISIONS				
P	LTR	DESCRIPTION	DATE	DWN	APVD	
GP	00	-	SEE SHEET 1	-	-	



RECOMMENDED MATING BOARD CONFIGURATION
 TYPICAL BOTH SIDES



RECOMMENDED PC BOARD HOLE LAYOUT
 (VIEWED FROM CONNECTOR SIDE)

<small>THIS DRAWING IS A CONTROLLED DOCUMENT FOR TYCO ELECTRONICS CORPORATION IT IS SUBJECT TO CHANGE AND THE CONTROLLING ENGINEERING ORGANIZATION SHOULD BE CONTACTED FOR THE LATEST REVISION.</small>		DWN G.PETERS 13FEB2007 CHK A.FRANTUM 13FEB2007 APVD S.FLICKINGER 13FEB2007		Tyco Electronics Harrisburg, PA 17105-3608	
DIMENSIONS: mm [INCHES]		TOLERANCES UNLESS OTHERWISE SPECIFIED:		NAME CONNECTOR ASSEMBLY, SEC II POWER, DUAL POSITION	
		0 PLC ±- 1 PLC ±- 2 PLC ±.013 [.005] 3 PLC ±- 4 PLC ±- ANGLES ±2		PRODUCT SPEC - APPLICATION SPEC - WEIGHT -	
MATERIAL NOTE 1		FINISH NOTE 2		SIZE A3 CAGE CODE 00779 DRAWING NO C-1888946 RESTRICTED TO -	
CUSTOMER DRAWING				SCALE 1:1 SHEET 3 OF 3 REV F	