



Chipsmall Limited consists of a professional team with an average of over 10 year of expertise in the distribution of electronic components. Based in Hongkong, we have already established firm and mutual-benefit business relationships with customers from,Europe,America and south Asia,supplying obsolete and hard-to-find components to meet their specific needs.

With the principle of “Quality Parts,Customers Priority,Honest Operation,and Considerate Service”,our business mainly focus on the distribution of electronic components. Line cards we deal with include Microchip,ALPS,ROHM,Xilinx,Pulse,ON,Everlight and Freescale. Main products comprise IC,Modules,Potentiometer,IC Socket,Relay,Connector.Our parts cover such applications as commercial,industrial, and automotives areas.

We are looking forward to setting up business relationship with you and hope to provide you with the best service and solution. Let us make a better world for our industry!



Contact us

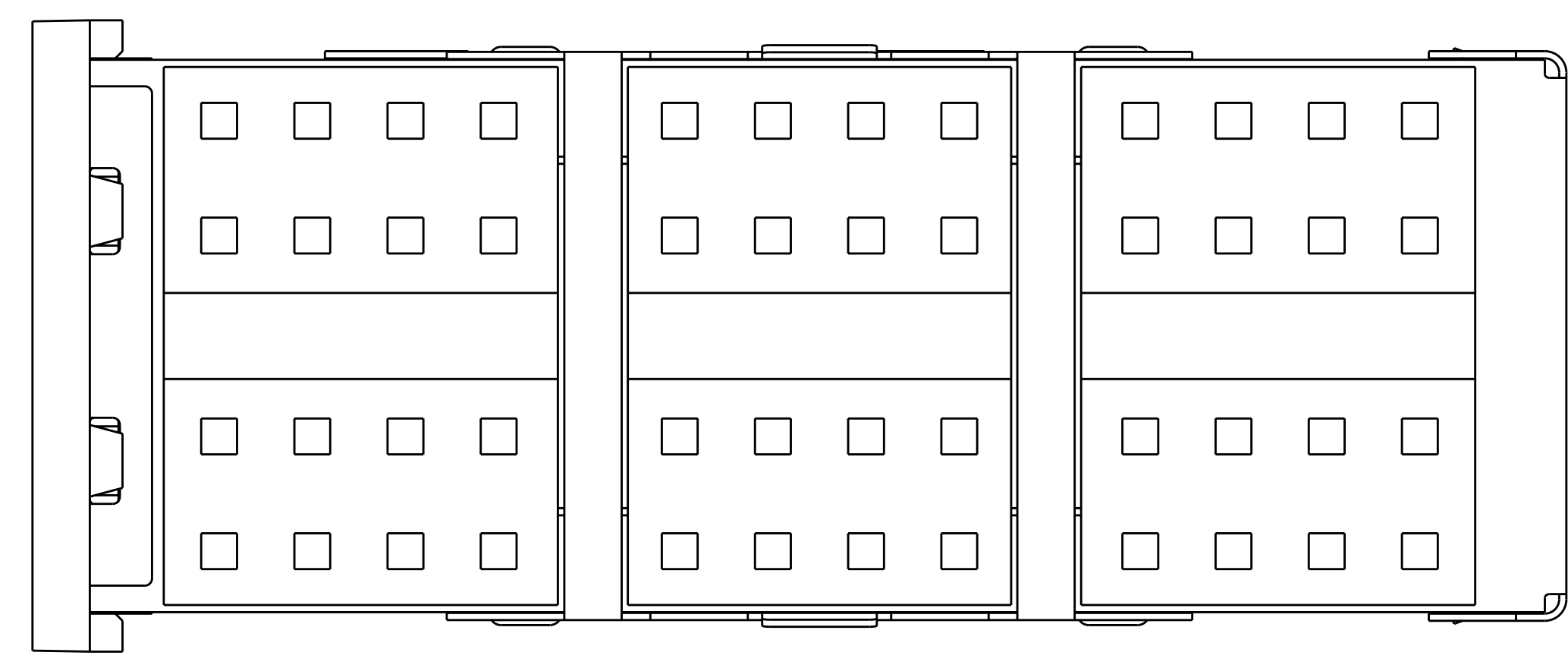
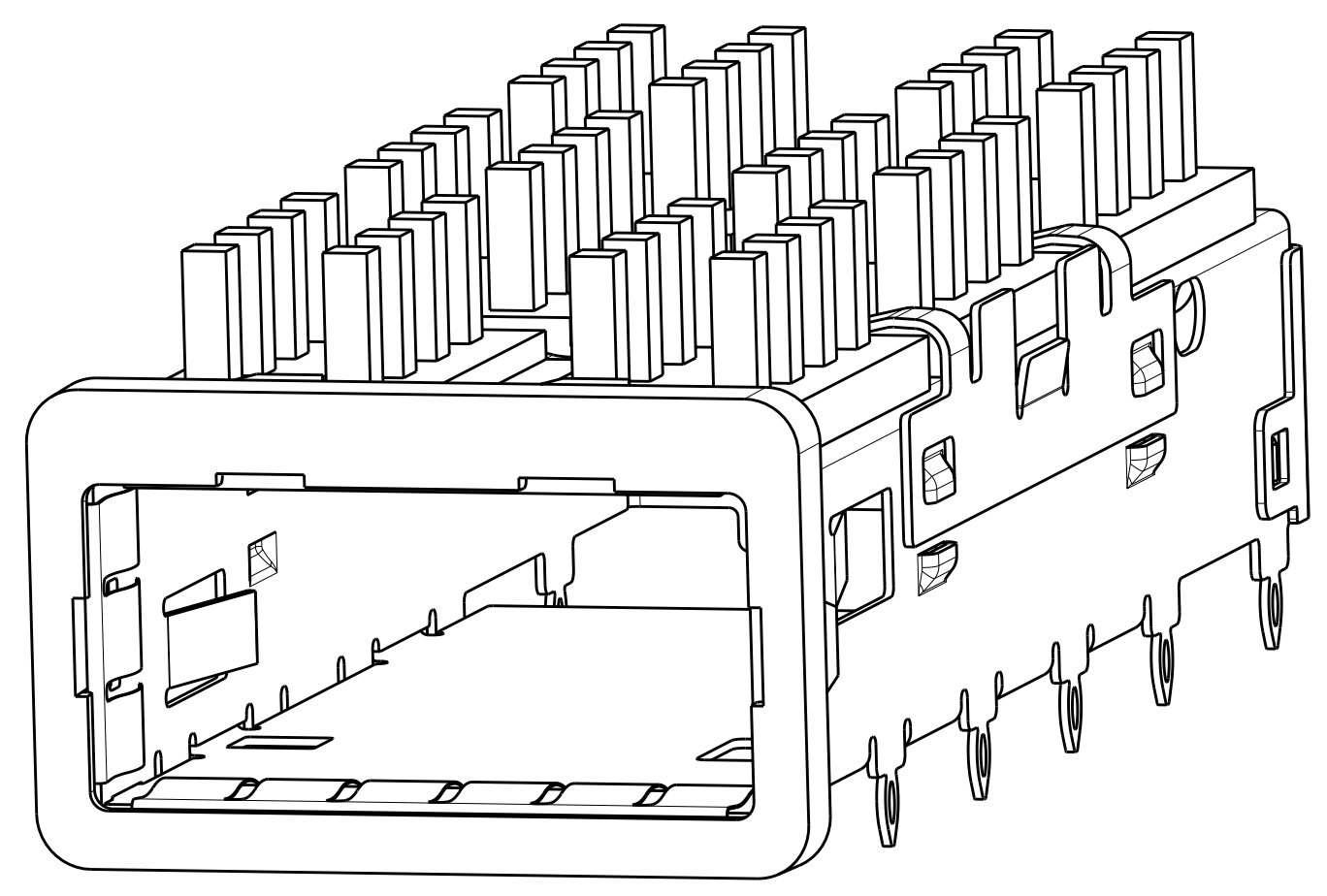
Tel: +86-755-8981 8866 Fax: +86-755-8427 6832

Email & Skype: info@chipsmall.com Web: www.chipsmall.com

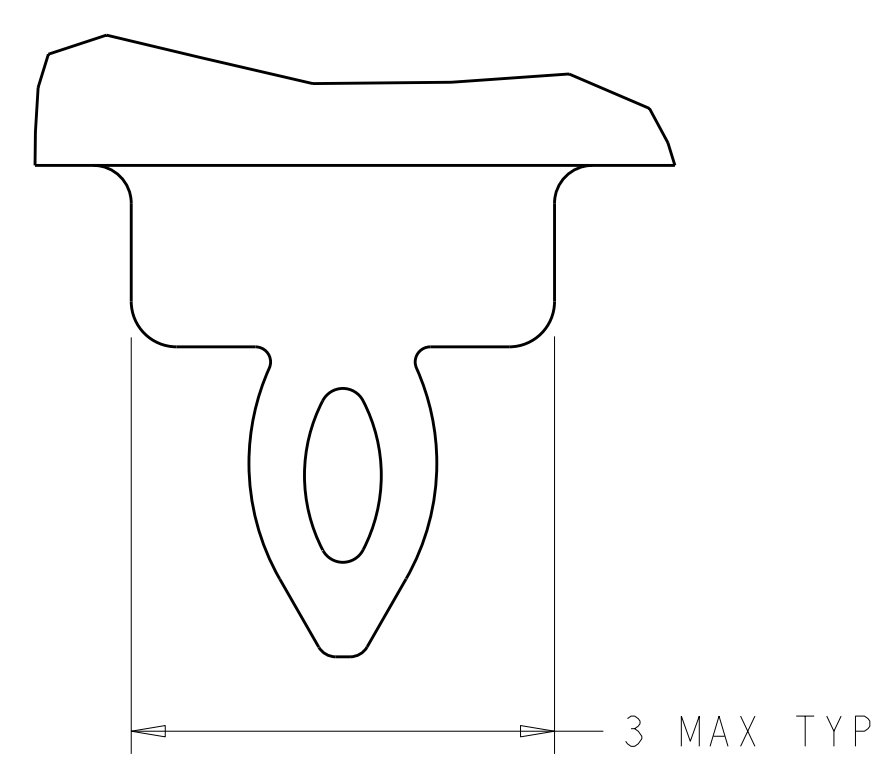
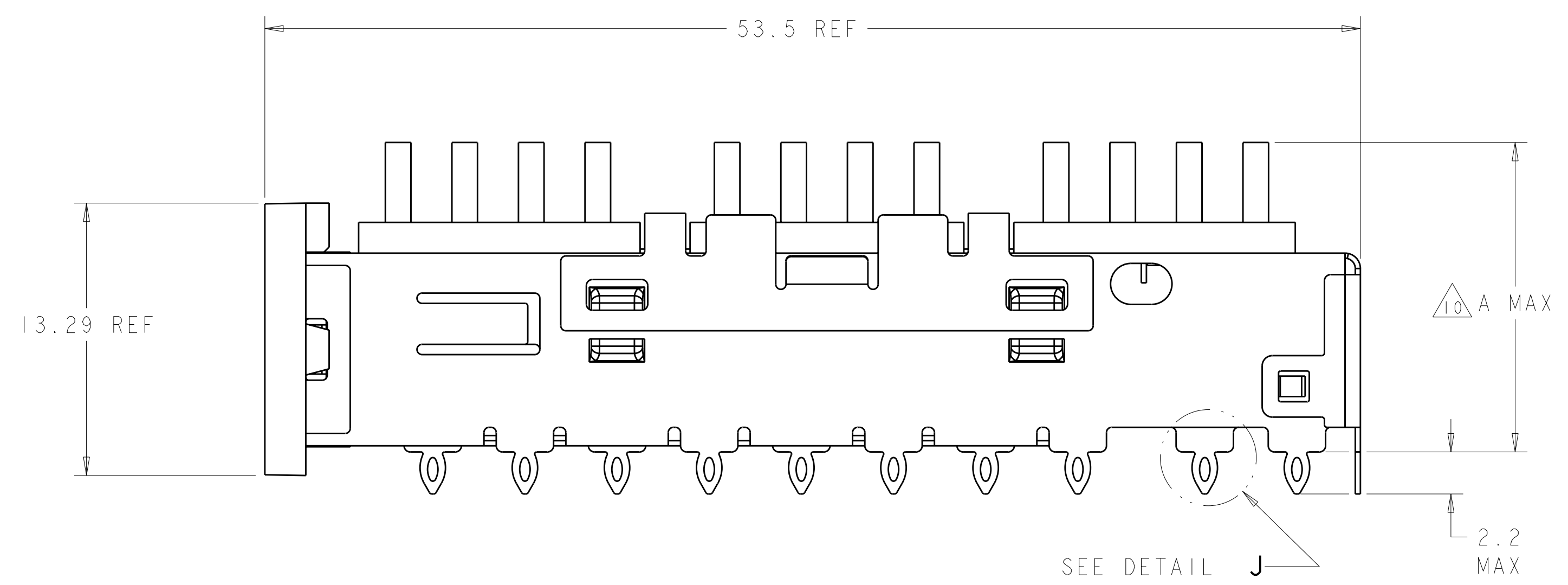
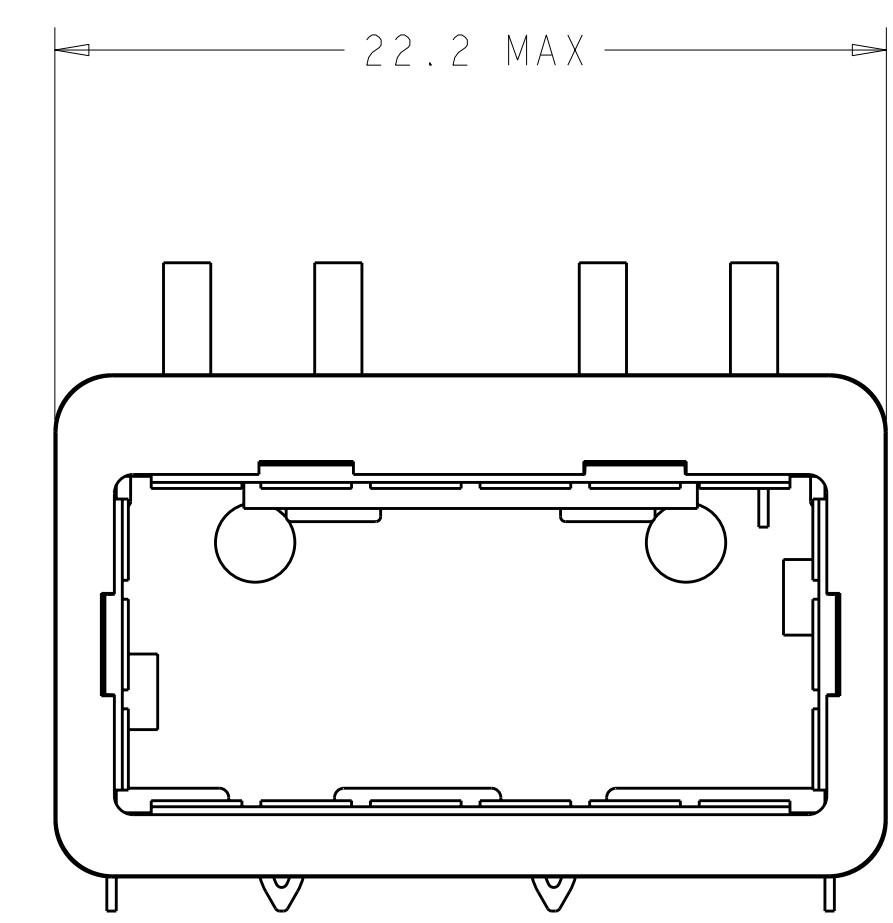
Address: A1208, Overseas Decoration Building, #122 Zhenhua RD., Futian, Shenzhen, China



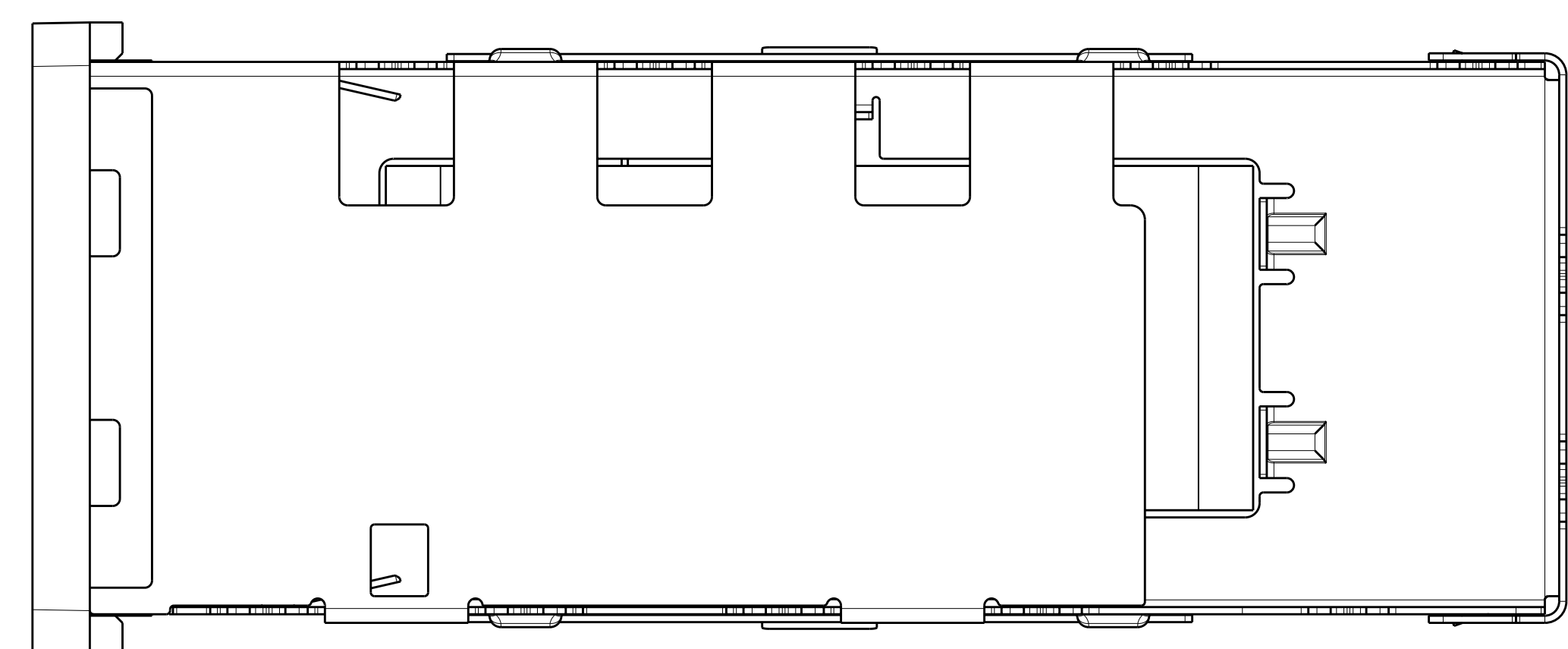
LOC	DIST	REVISIONS			
GP	00	REV	DATE	BY	APPD
		B	REV PER ECO-09-020440	11SEP2009	CR JP



- △ CAGE MATERIAL: NICKEL SILVER, 0.25 THICK
 HEAT SINK MATERIAL: ALUMINUM
 HEAT SINK CLIP MATERIAL: STAINLESS STEEL
 EMI SPRING MATERIAL: COPPER ALLOY
 FRONT FLANGE MATERIAL: ZINC ALLOY
- △ MINIMUM PITCH DIMENSION.
- 3. MATES WITH QSFP MSA COMPATIBLE TRANSCEIVER.
- △ REFERENCE APPLICATION SPEC 114-13218 FOR RECOMMENDED DRILL HOLE DIAMETER AND PLATING THICKNESS.
- △ DATUMS AND BASIC DIMENSIONS ESTABLISHED BY CUSTOMER.
- △ DIMENSION C IS THE NOMINAL THICKNESS OF CUSTOMER SUPPLIED PC BOARD.
 SINGLE SIDED PC BOARD MINIMUM THICKNESS: 1.45
 DOUBLE SIDED PC BOARD MINIMUM THICKNESS: 2.7.
- △ HEAT SINK AND CLIP SHIPPED ASSEMBLED TO CAGE ASSEMBLY. CAGE ASSEMBLY MAY BE PRESSED INTO THE PCB AS SHIPPED.
- △ DATUM [-A-] IS TOP SURFACE OF HOST BOARD.
- △ SURFACE TRACES PERMITTED WITHIN THIS AREA EXCEPT WHERE CAGE STANDOFFS, SHOWN IN DETAIL J, CONTACT PC BOARD.
- △ DIMENSION APPLIES WITH MODULE INSTALLED IN THE CAGE.
- △ DATE CODE (YYWW) MARKED ON TOP OF CAGE AND CONCEALED BY HEAT SINK APPLIES TO CAGE ASSEMBLY ONLY.
- △ EMI SPRING FINISH: 2µm MIN TIN.
 FRONT FLANGE FINISH: 3µm MIN TIN OVER 1.27µm MIN NICKEL OVER 5.08µm MIN COPPER.
 HEAT SINK FINISH: 0.076µm MIN NICKEL.
- 13. PRODUCT HAS NOT COMPLETED QUALIFICATION TESTING.



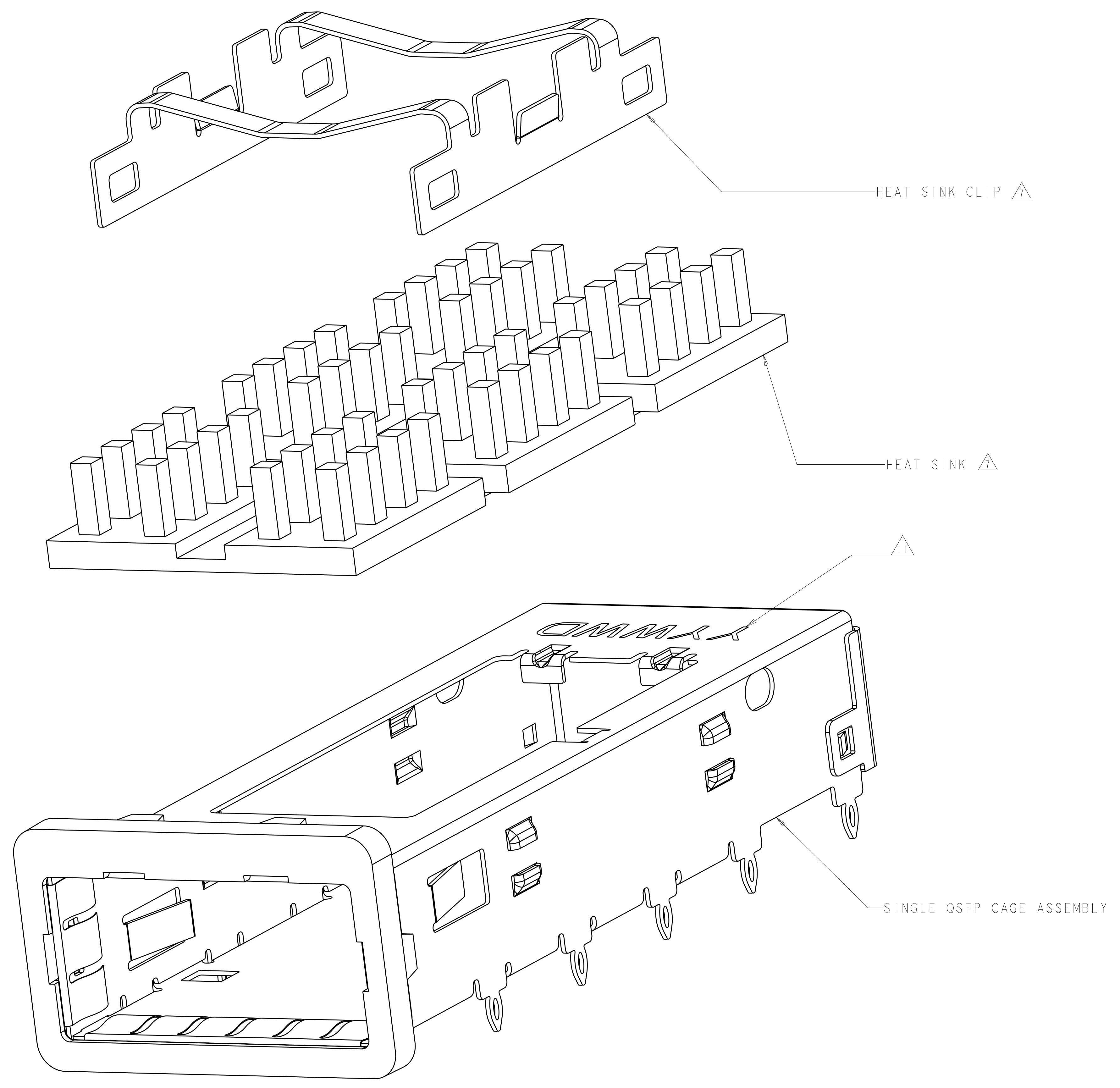
DETAIL J
 SCALE 20:1



A	DESCRIPTION	PART NUMBER
23.0	NETWORKING HEAT SINK	1888968-3
16.0	SAN HEAT SINK (SHOWN)	1888968-2
13.7	PCI HEAT SINK	1888968-1

DIMENSIONS: mm		TOLERANCES UNLESS OTHERWISE SPECIFIED: 9 PLC ±.5 1 PLC ±0.5 2 PLC ±0.13 3 PLC ±0.013 4 PLC ±0.001 ANGLES ±.		DWN C. VALENTINE 19FEB2007 CHK E. BRIGHT 19FEB2007 APVD E. BRIGHT 19FEB2007		Tyco Electronics Harrisburg, PA 17105-3608	
MATERIAL: △		FINISH: △12		PRODUCT SPEC: 108-2286 APPLICATION SPEC: 114-13218		NAME: CAGE ASSEMBLY, BEHIND BEZEL, QSFP, WITH HEAT SINK SIZE: CAGE CODE DRAWING NO: A100779C=1888968 RESTRICTED TO:	
CUSTOMER DRAWING				SCALE: 5:1		SHEET 1 OF 5 REV B	

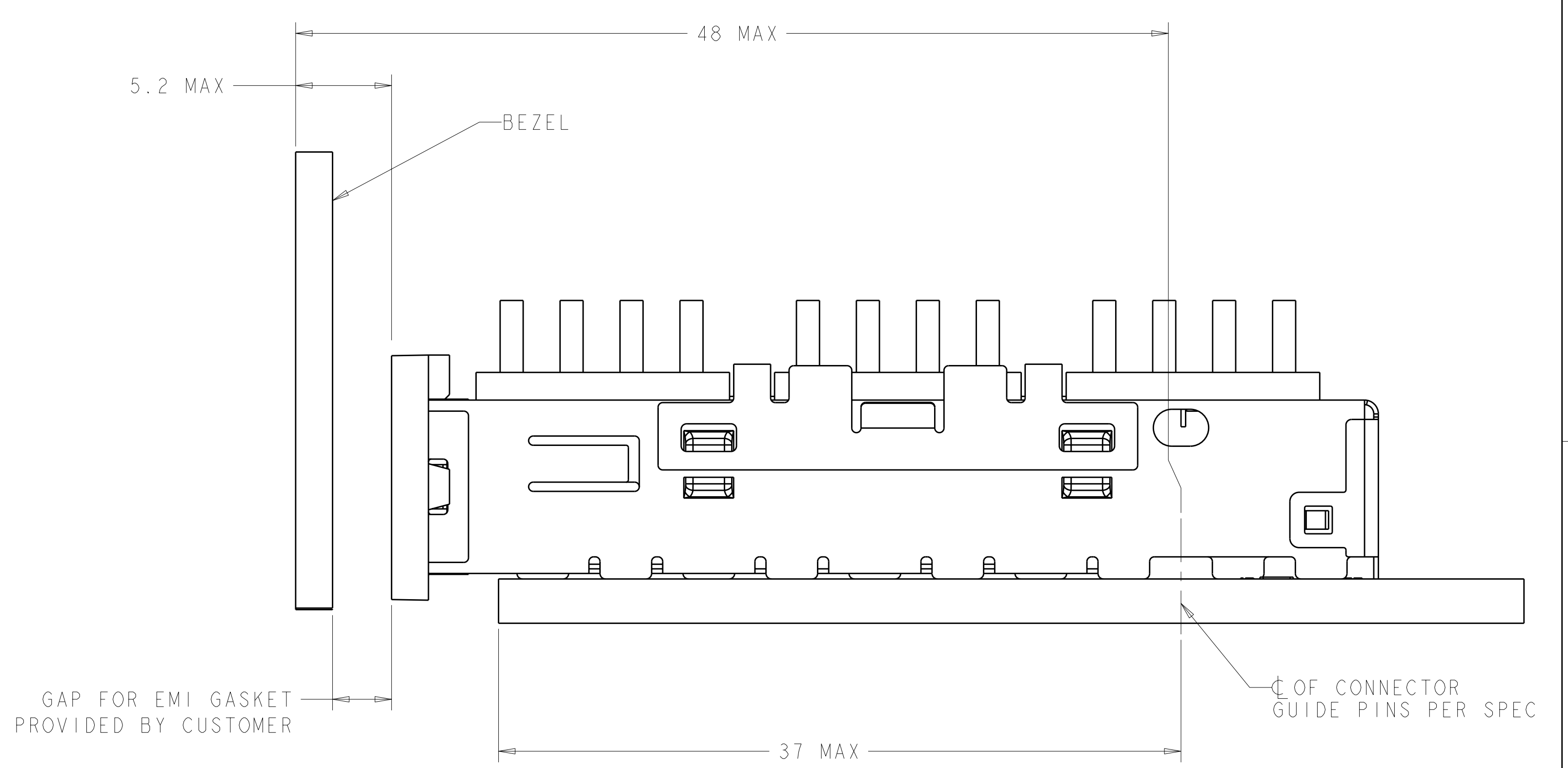
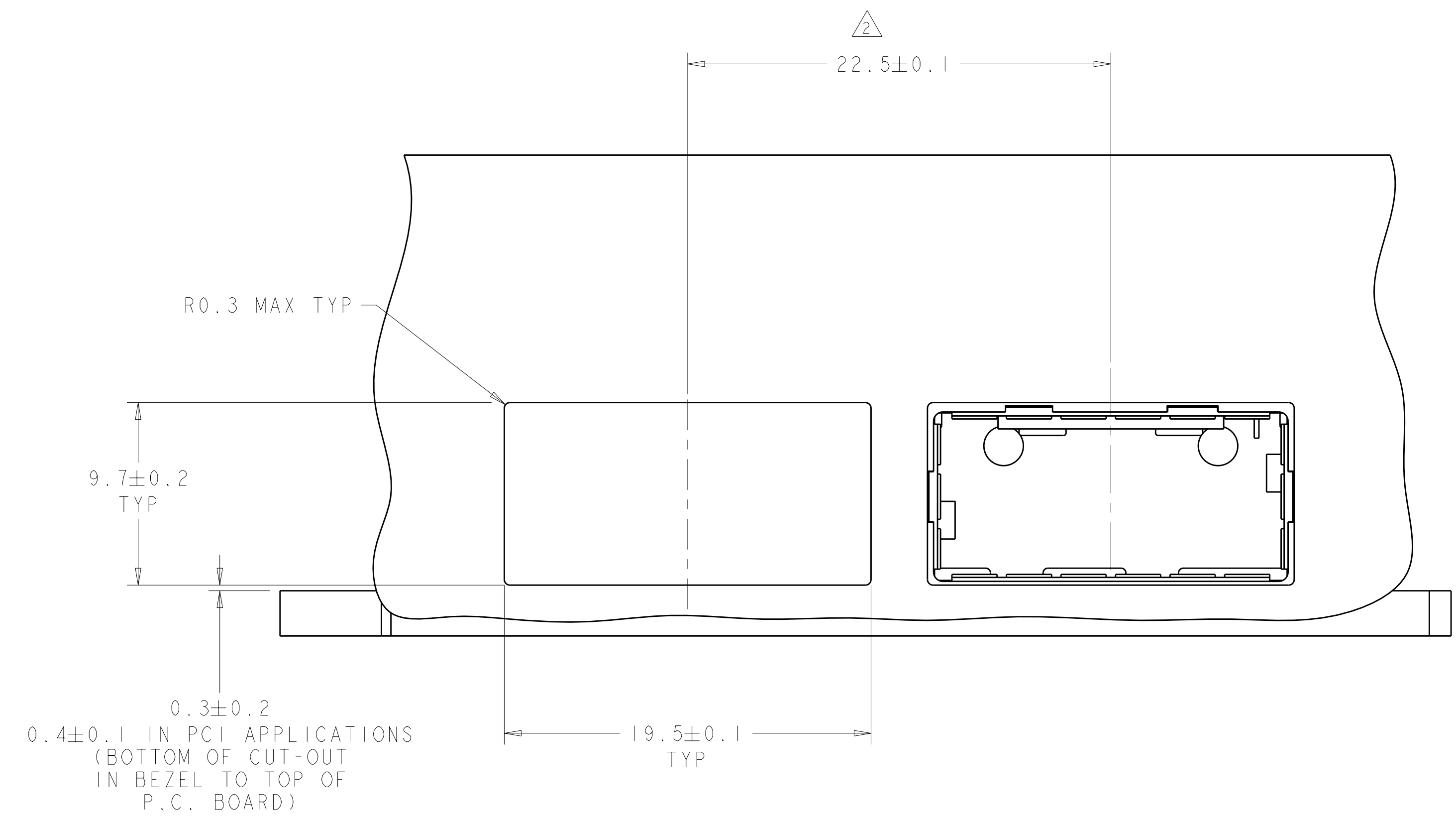
LOC	DIST	REVISIONS			
P	LTB	DESCRIPTION	DATE	DWN	APVD
GP	00	SEE SHEET 1	-	-	-



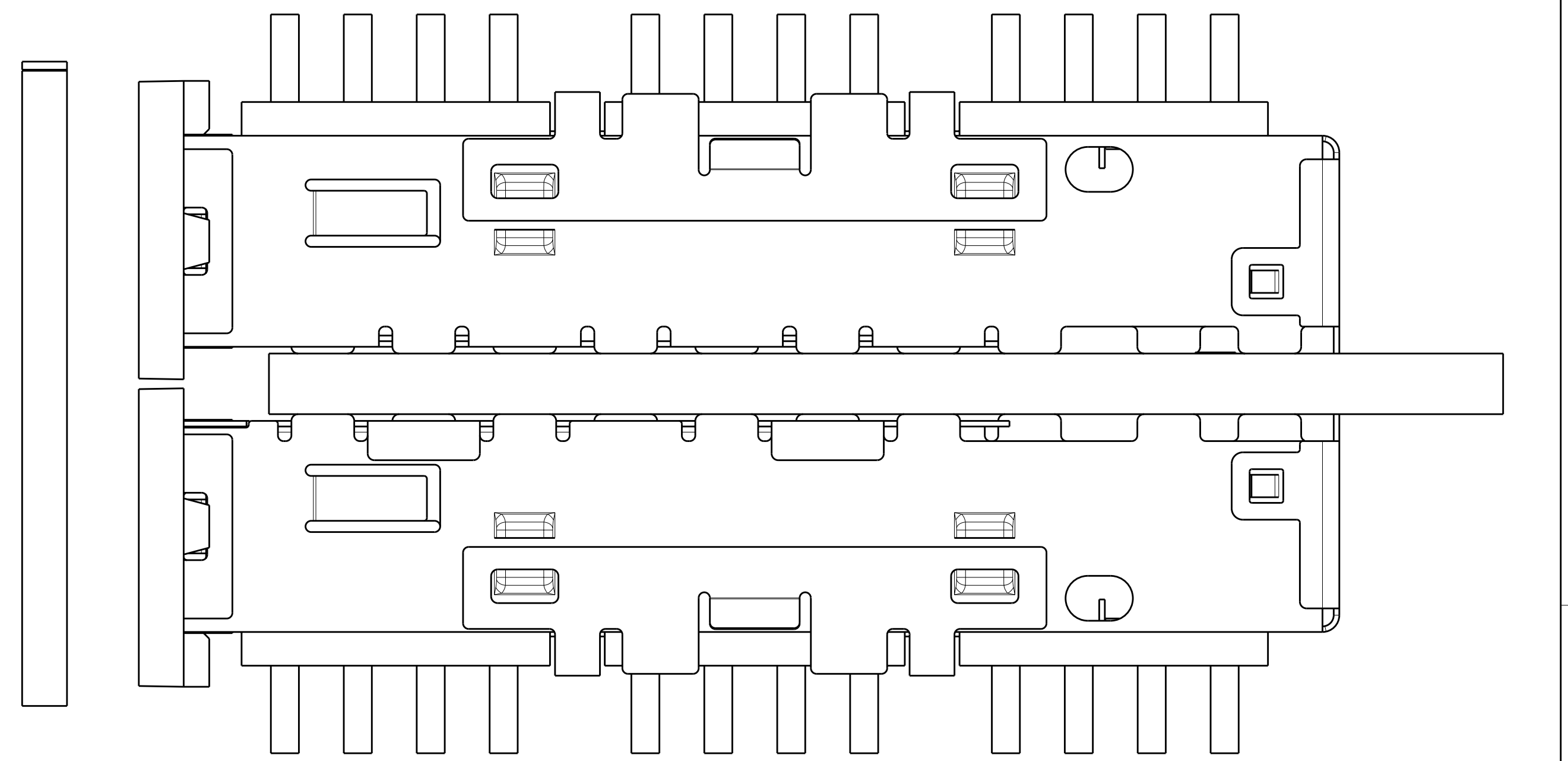
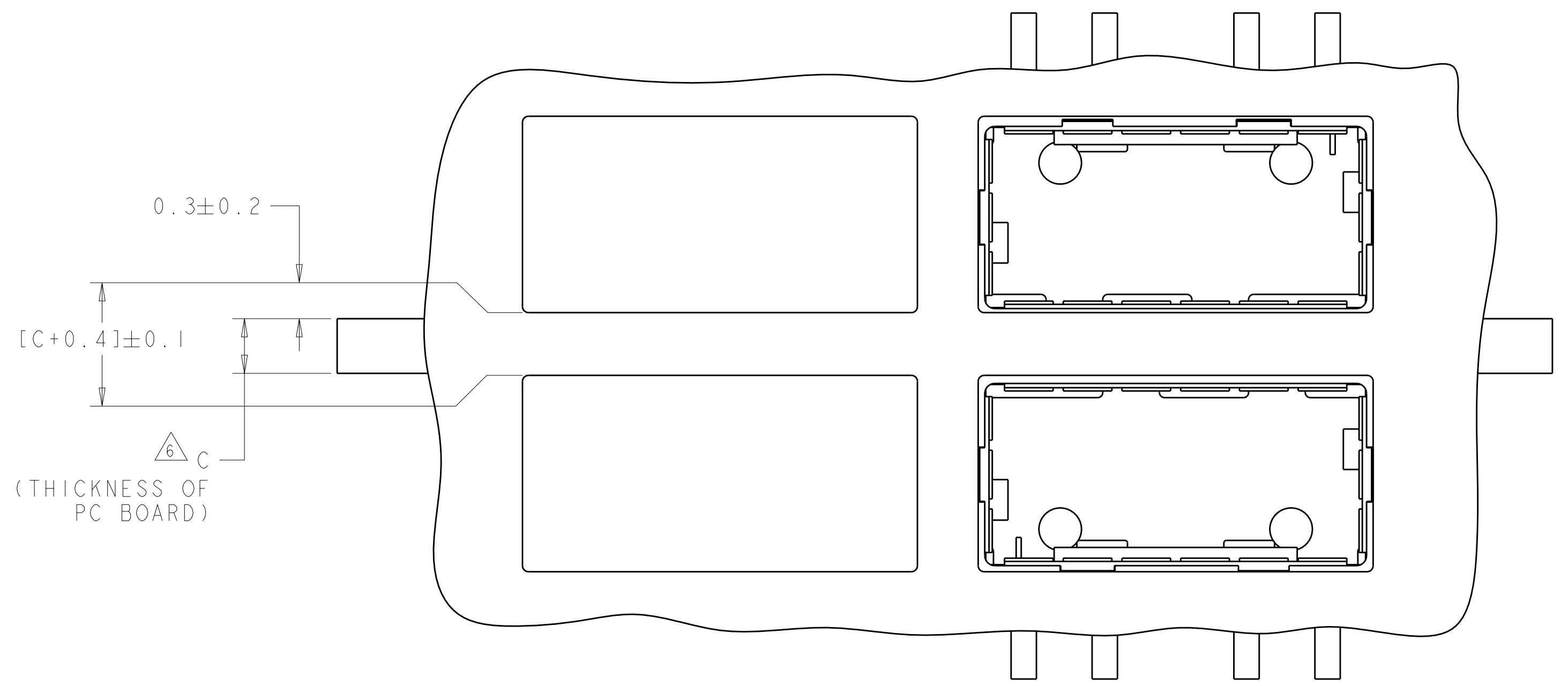
EXPLODED VIEW
SCALE 8:1

<small>THE INFORMATION CONTAINED HEREIN IS UNCLASSIFIED EXCEPT WHERE SHOWN OTHERWISE. IT IS SUBJECT TO CHANGE WITHOUT NOTICE AND WITHOUT OBLIGATION. SHOULD BE CONTACTED FOR THE LATEST REVISION.</small>		DWN C. VALENTINE 19FEB2007 CHK E. BRIGHT 19FEB2007 APVD E. BRIGHT 19FEB2007	Tyco Electronics Harrisburg, PA 17105-3608
DIMENSIONS: mm 		TOLERANCES UNLESS OTHERWISE SPECIFIED: 9 PLC ±.5 2 PLC ±0.13 5 PLC ±0.013 4 PLC ±0.001 ANGLES ±.	NAME CAGE ASSEMBLY, BEHIND BEZEL, QSPF, WITH HEAT SINK PRODUCT SPEC 108-2286 APPLICATION SPEC 114-13218 WEIGHT - CUSTOMER DRAWING
MATERIAL FINISH		SIZE CAGE CODE DRAWING NO A100779C-1888968	RESTRICTED TO SCALE 5:1 SHEET 2 OF 5 REV B

LOC	DIST	REV	DATE	BY	APPD
GP	00				
REVISIONS					



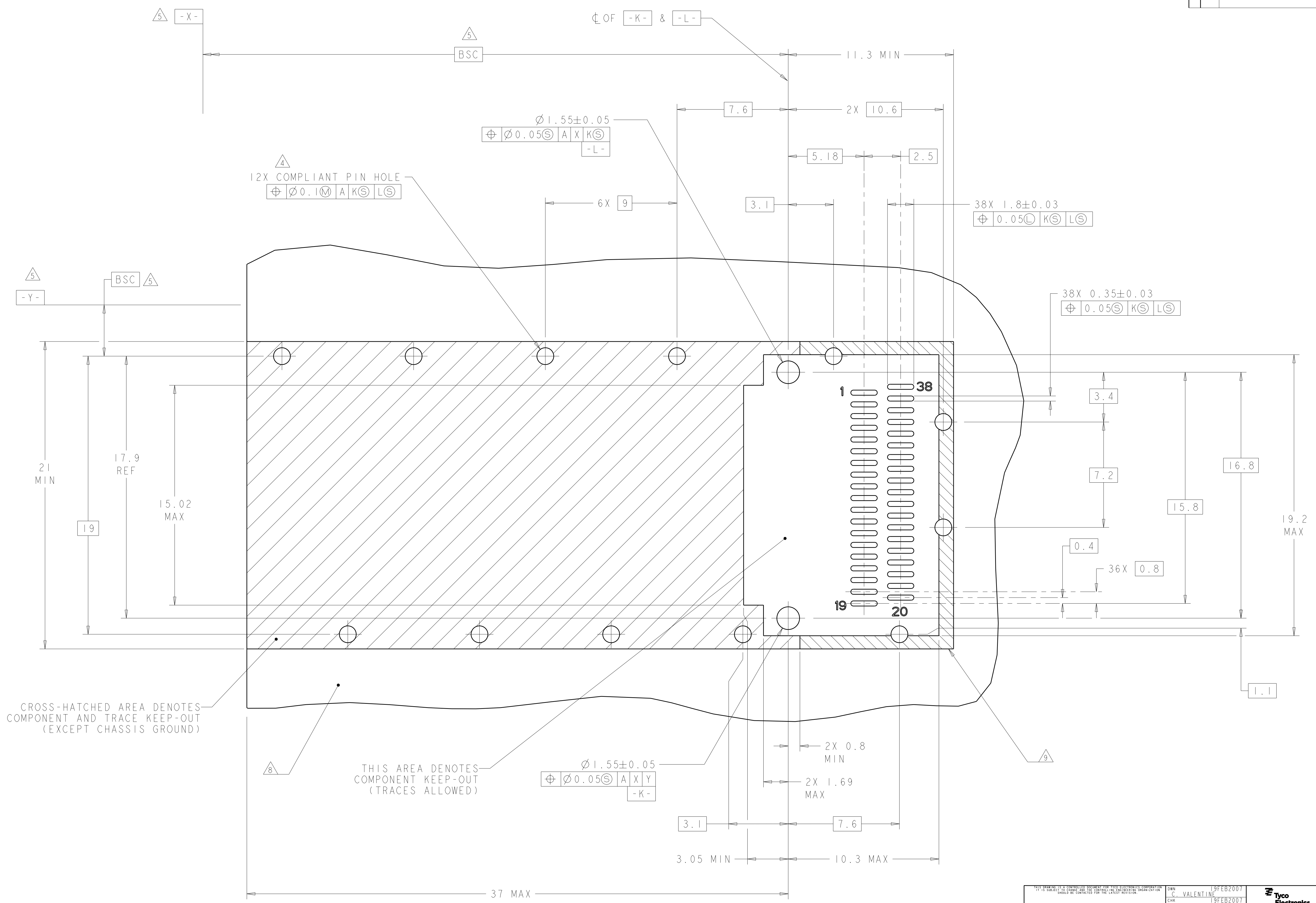
ONE SIDED CONFIGURATION



BELLY TO BELLY CONFIGURATION
 SIMILAR TO ONE SIDED EXCEPT
 WHERE NOTED

DIMENSIONS: mm 		TOLERANCES UNLESS OTHERWISE SPECIFIED: 0 PLC ± 1 PLC ±0.5 2 PLC ±0.13 3 PLC ±0.013 4 PLC ±0.001 ANGLES ±		DWN C. VALENTINE 19FEB2007 CHK E. BRIGHT 19FEB2007 APVD E. BRIGHT 19FEB2007		Tyco Electronics Harrisburg, PA 17105-3608	
MATERIAL FINISH		PRODUCT SPEC 108-2286 APPLICATION SPEC 114-13218		NAME CAGE ASSEMBLY, BEHIND BEZEL, QSFP, WITH HEAT SINK		SIZE CAGE CODE DRAWING NO A1100779C-1888968	
CUSTOMER DRAWING		WEIGHT -		RESTRICTED TO -		SCALE 5:1 SHEET 3 OF 5 REV B	

LOC	DIST	REV	DATE	BY	APPD
GP	00				
DESCRIPTION			DATE	DWN	APPD
SEE SHEET 1					



CROSS-HATCHED AREA DENOTES COMPONENT AND TRACE KEEP-OUT (EXCEPT CHASSIS GROUND)

THIS AREA DENOTES COMPONENT KEEP-OUT (TRACES ALLOWED)

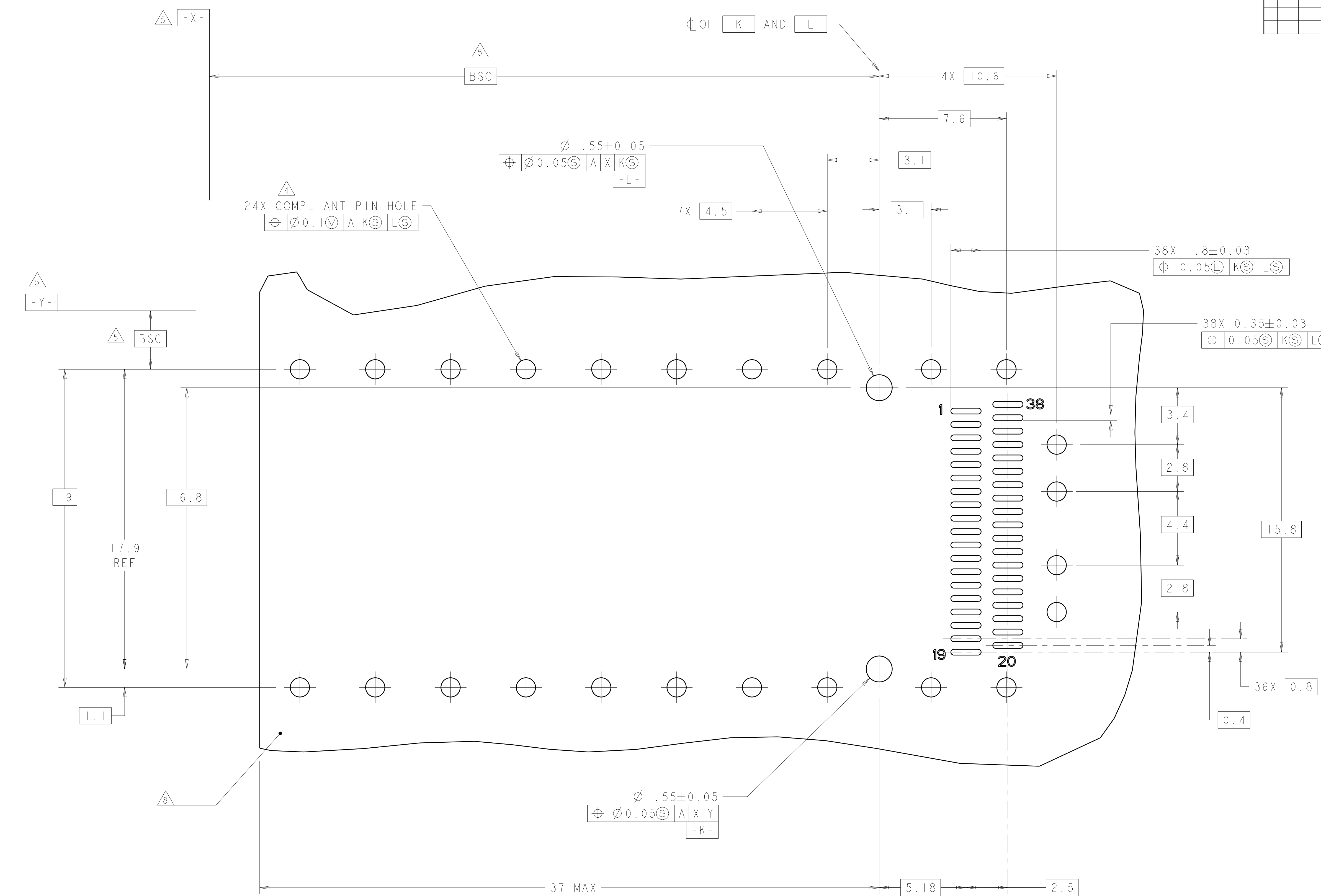
Ø 1.55±0.05
 ⊕ Ø 0.05 S A X Y
 -K-

RECOMMENDED PCB LAYOUT
 SINGLE SIDED CONFIGURATION
 SCALE 8:1

DIMENSIONS: mm 		TOLERANCES UNLESS OTHERWISE SPECIFIED: 9 PLC ±.5 8 PLC ±0.13 5 PLC ±0.013 4 PLC ±0.001 ANGLES ±.0001		DWN C. VALENTINE 19FEB2007 CHK E. BRIGHT 19FEB2007 APVD F. BRIGHT 19FEB2007		Tyco Electronics Harrisburg, PA 17105-3608	
MATERIAL FINISH		WEIGHT 114-13218		NAME CAGE ASSEMBLY, BEHIND BEZEL, QSFP, WITH HEAT SINK		SIZE CAGE CODE DRAWING NO A1100779C=1888968	
CUSTOMER DRAWING				SCALE 4:1		SHEET 4 OF 5 REV B	

LOC	DIST	REV	DATE	BY	APPD
GP	00				

REVISIONS		DATE	BY	APPD
-	SEE SHEET 1	-	-	-



RECOMMENDED PCB LAYOUT
 BELLY TO BELLY CONFIGURATION
 SEE SHEET 4 FOR KEEP OUT AREAS
 SCALE 8:1

<small>THIS DRAWING IS UNPUBLISHED. RELEASED FOR PUBLICATION 2008. BY TYCO ELECTRONICS CORPORATION, ALL RIGHTS RESERVED.</small> <small>THIS IS SUBJECT TO CHANGE WITHOUT NOTICE AND WITHOUT OBLIGATION. SHOULD BE CONTACTED FOR THE LATEST REVISION.</small>		DWN C. VALENTINE 19FEB2007 CHK E. BRIGHT 19FEB2007 APVD E. BRIGHT 19FEB2007	Tyco Electronics Harrisburg, PA 17105-3608
DIMENSIONS: mm 	TOLERANCES UNLESS OTHERWISE SPECIFIED: 9 PLC ±0.5 1 PLC ±0.5 2 PLC ±0.13 3 PLC ±0.013 4 PLC ±0.001 ANGLES ±0.001	PRODUCT SPEC 108-2286 APPLICATION SPEC 114-13218 WEIGHT - CUSTOMER DRAWING	NAME CAGE ASSEMBLY, BEHIND BEZEL, QSFP, WITH HEAT SINK SIZE CAGE CODE DRAWING NO A100779C-1888968 RESTRICTED TO - SCALE 4:1 SHEET 5 OF 5 REV B