



Chipsmall Limited consists of a professional team with an average of over 10 year of expertise in the distribution of electronic components. Based in Hongkong, we have already established firm and mutual-benefit business relationships with customers from,Europe,America and south Asia,supplying obsolete and hard-to-find components to meet their specific needs.

With the principle of “Quality Parts,Customers Priority,Honest Operation,and Considerate Service”,our business mainly focus on the distribution of electronic components. Line cards we deal with include Microchip,ALPS,ROHM,Xilinx,Pulse,ON,Everlight and Freescale. Main products comprise IC,Modules,Potentiometer,IC Socket,Relay,Connector.Our parts cover such applications as commercial,industrial, and automotives areas.

We are looking forward to setting up business relationship with you and hope to provide you with the best service and solution. Let us make a better world for our industry!



## Contact us

Tel: +86-755-8981 8866 Fax: +86-755-8427 6832

Email & Skype: info@chipsmall.com Web: www.chipsmall.com

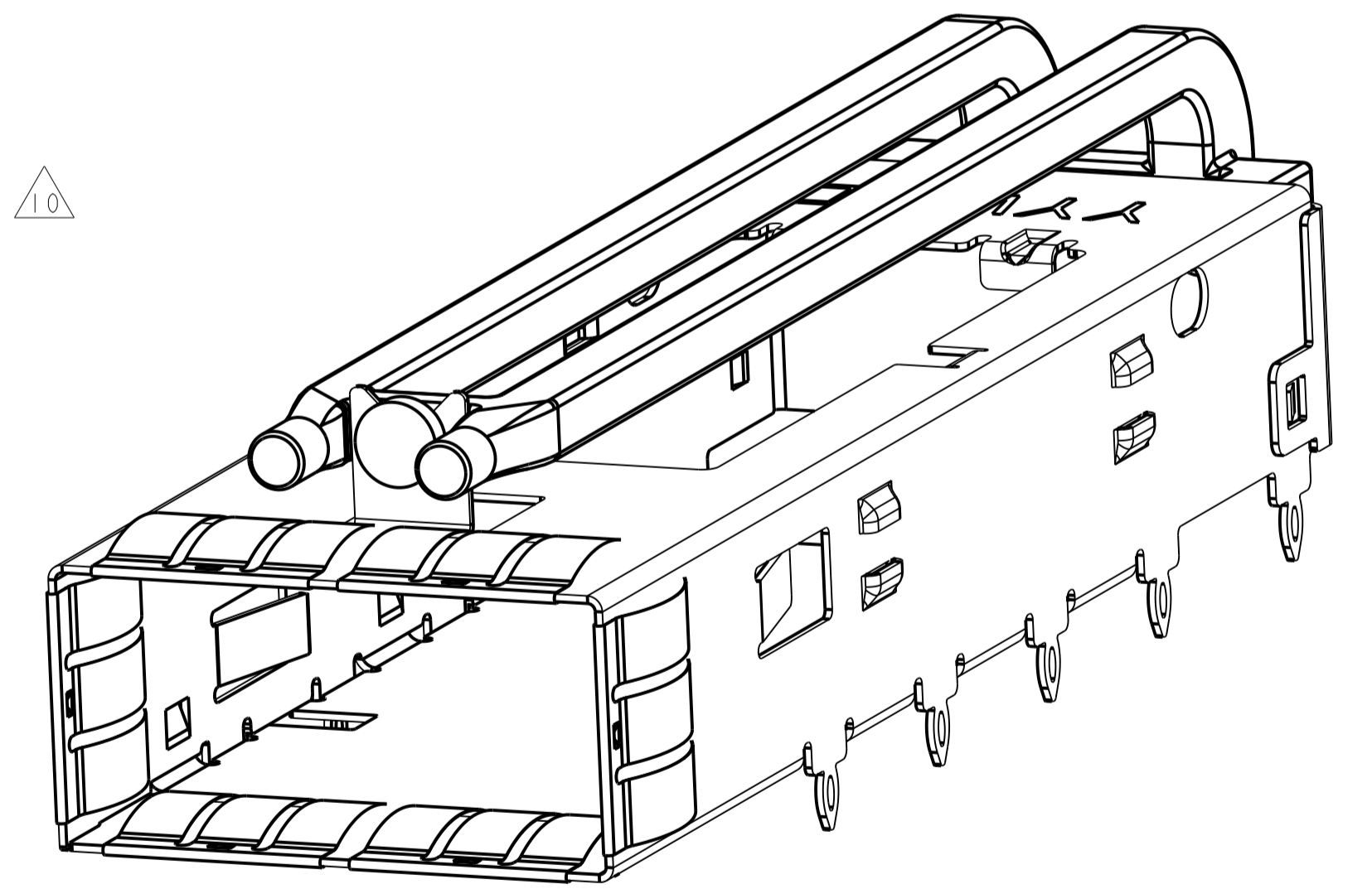
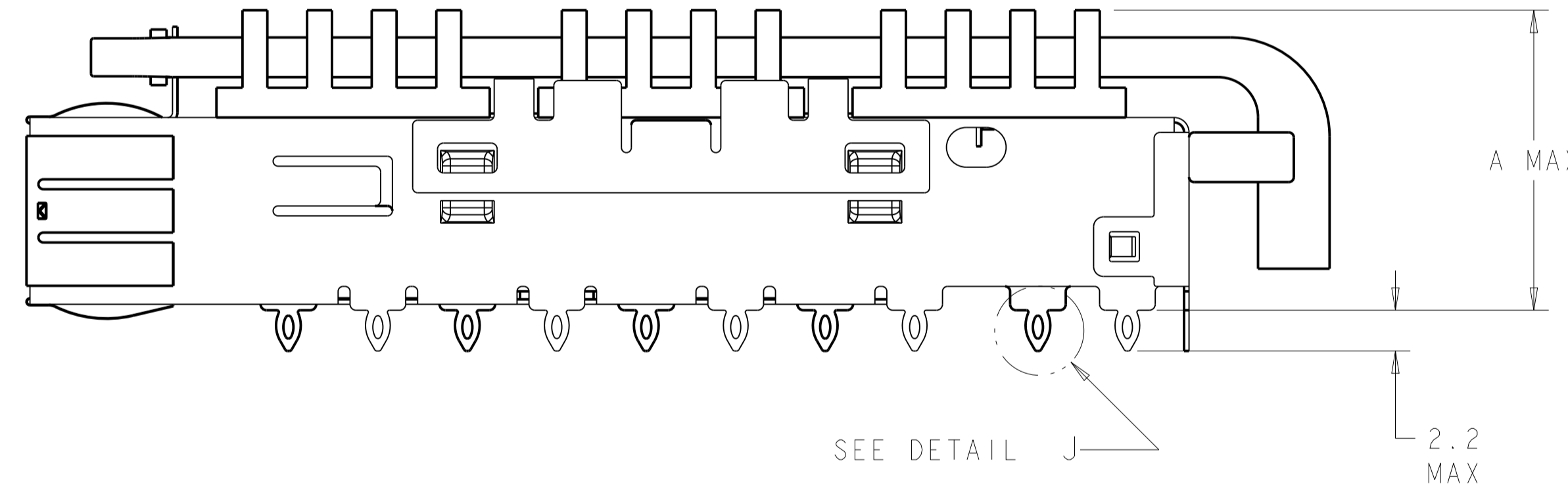
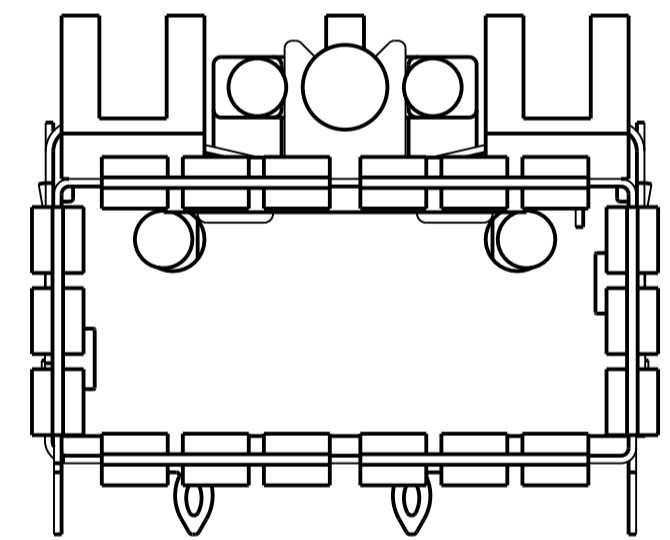
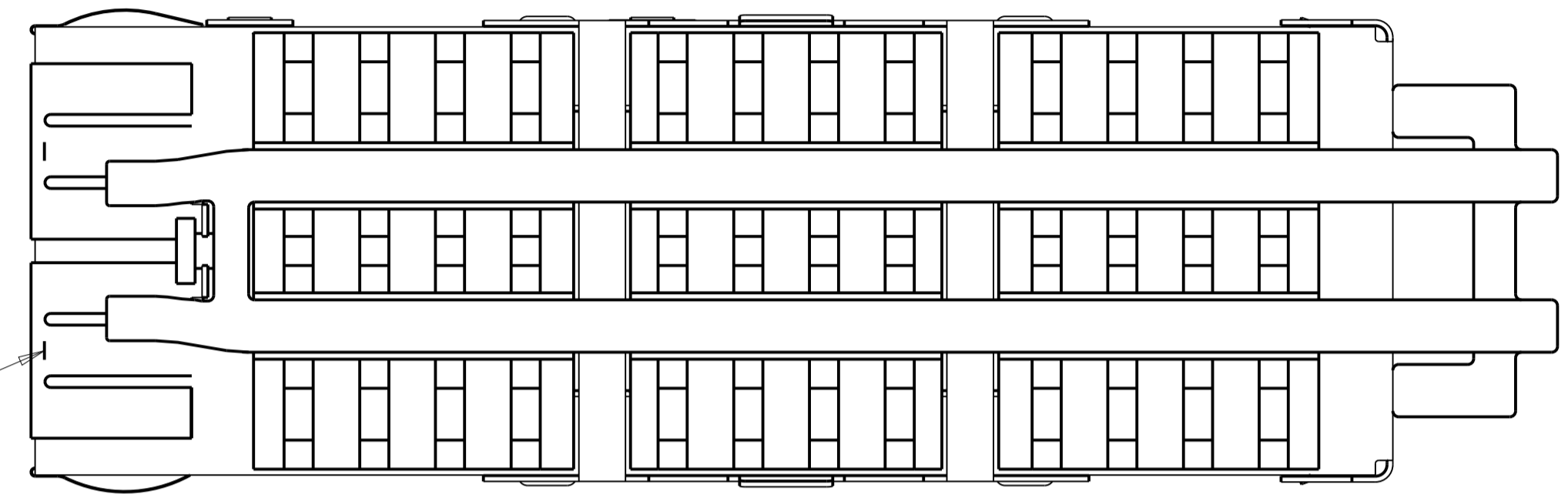
Address: A1208, Overseas Decoration Building, #122 Zhenhua RD., Futian, Shenzhen, China



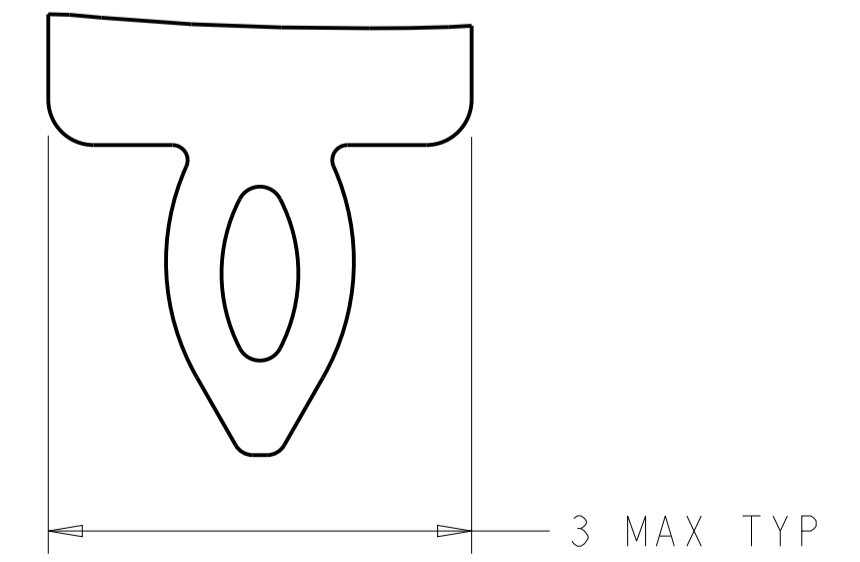
LOC	DIST	REVISIONS			
GP	00	REV	DATE	BY	CHK
		A1	08APR2011	AL	CW
		A2	18AUG2014	RG	MC

- △ MATERIAL:  
 CAGE: NICKEL SILVER, 0.25 THICK  
 HEAT SINK: ALUMINUM  
 HEAT SINK CLIP: STAINLESS STEEL  
 EMI SPRINGS: COPPER ALLOY  
 LIGHT PIPE: CLEAR POLYCARBONATE.
- △ MINIMUM PITCH DIMENSION.
3. MATES WITH SFF-8436 COMPATIBLE TRANSCEIVER.
- △ REFERENCE APPLICATION SPEC 114-13217 FOR RECOMMENDED DRILL HOLE DIAMETER AND PLATING THICKNESS.
- △ DATUMS AND BASIC DIMENSIONS ESTABLISHED BY CUSTOMER.
6. MINIMUM PC BOARD THICKNESS:  
 SINGLE SIDED = 1.45mm (shown, pg. 4)  
 DOUBLE SIDED = 2.2mm.
- △ HEATSINK, LIGHT PIPE, AND CLIP SHIPPED ASSEMBLED TO CAGE ASSEMBLY. CAGE ASSEMBLY MAY BE PRESSED INTO THE PCB AS SHIPPED.
- △ DATUM -A- IS TOP SURFACE OF HOST BOARD.
- △ SURFACE TRACES PERMITTED WITHIN THIS LENGTH EXCEPT WHERE CAGE STANDOFFS, SHOWN IN DETAIL J, CONTACT PC BOARD.
- △ DIMENSION APPLIES WITH MODULE INSTALLED IN CAGE.
11. MAXIMUM HEIGHT OF CUSTOMER SUPPLIED LED OFF BOARD: 1.70mm.
- △ DATE CODE (YYWW) MARKED ON TOP OF CAGE AND CONCEALED BY HEAT SINK APPLIES TO CAGE ASSEMBLY ONLY.
- △ HEAT SINK AND CLIP SHIPPED ASSEMBLED TO CAGE ASSEMBLY. CAGE ASSEMBLY MAY BE PRESSED INTO THE PCB AS SHIPPED. LIGHT PIPE MUST BE ASSEMBLED BY CUSTOMER AFTER THE CAGE IS SEATED ON THE PCB.
- △ SPRING FINISH: 0.8um MIN TIN OVER 0.8um MIN NICKEL.  
 HEAT SINK FINISH: NICKEL.
15. PRODUCT HAS NOT COMPLETED QUALIFICATION TESTING.

Sn42Bi58 SOLDER  
 6 PLACES



1888971-4 AS SHOWN  
 SCALE 5:1

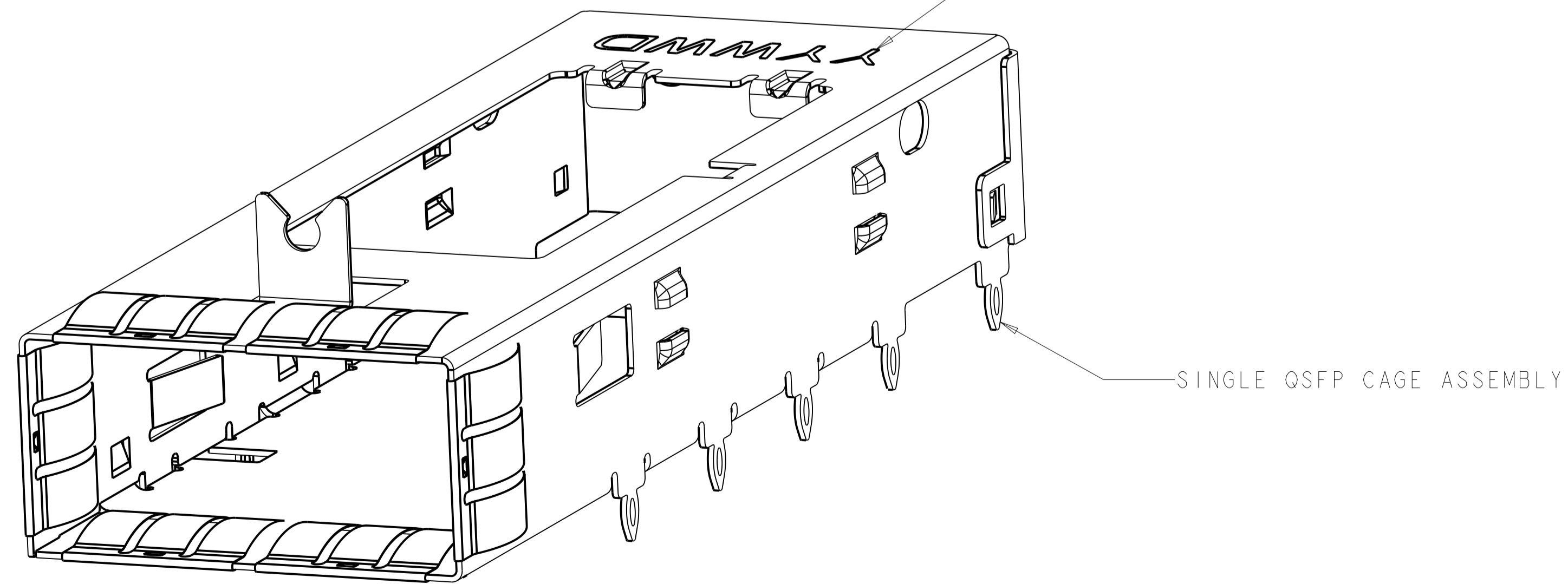
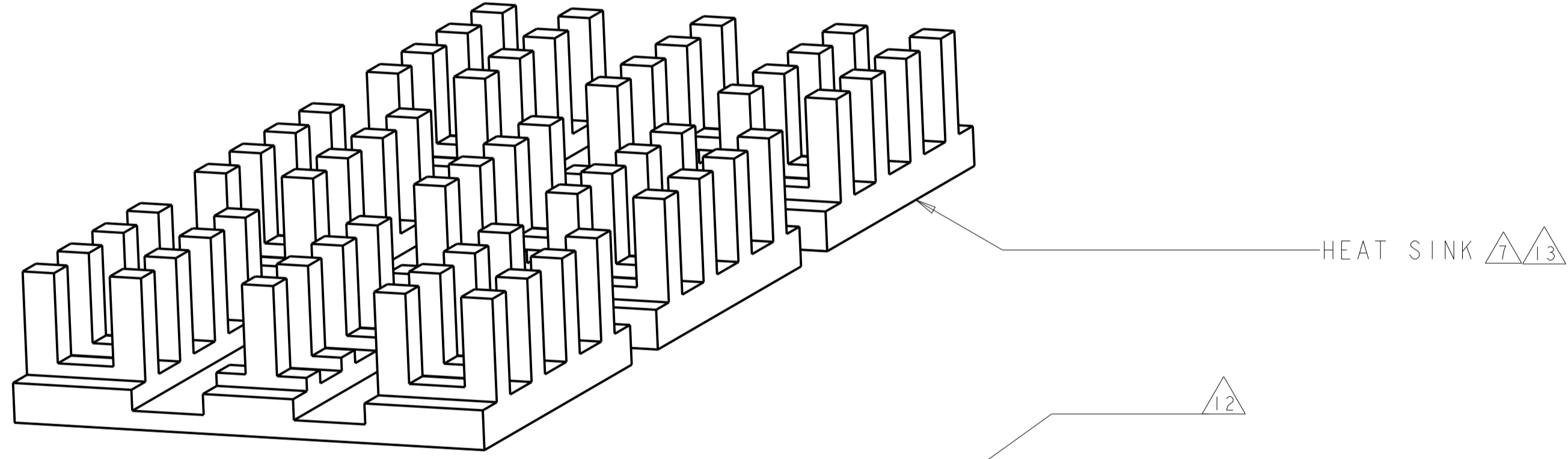
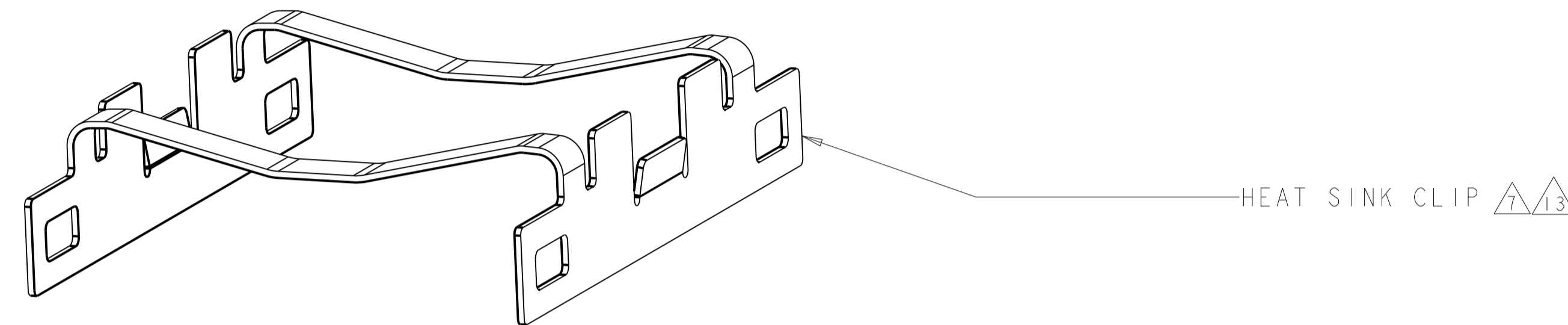
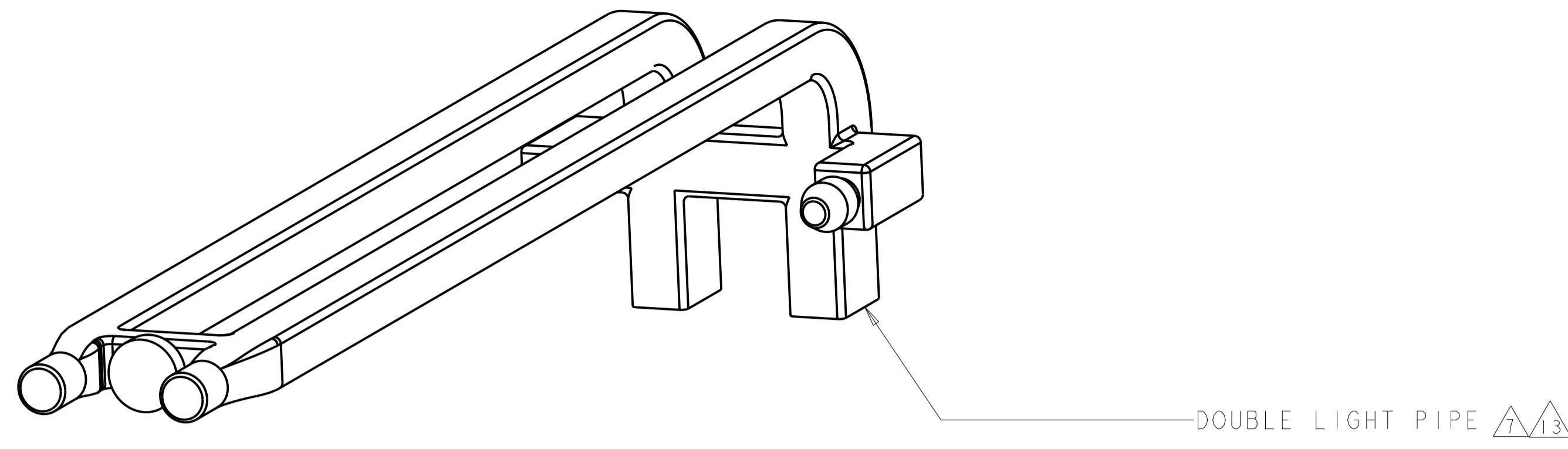


DETAIL J  
 SCALE 20:1

DESCRIPTION	PART NUMBER
- NO HEAT SINK	1888971-4
13.7 PCI HEAT SINK	1888971-3
23.0 NETWORKING HEAT SINK	1888971-2
16.0 SAN HEAT SINK (SHOWN)	1888971-1

THIS DRAWING IS A CONTROLLED DOCUMENT.		OWN: C. VALENTINI 22FEB2007	TE Connectivity	
DIMENSIONS: mm		CHK: E. BRIGHT 22FEB2007		
TOLERANCES UNLESS OTHERWISE SPECIFIED:		APVD: E. BRIGHT 22FEB2007	NAME: CAGE ASSEMBLY, THRU BEZEL, QSFP, W/ HEAT SINK AND DOUBLE LIGHT PIPE	
0 PLC	±0.13	PRODUCT SPEC	SIZE: CAGE CODE DRAWING NO	
1 PLC	±0.13	108-2286	RESTRICTED TO	
2 PLC	±0.13	APPLICATION SPEC	A100779C=1888971	
3 PLC	±0.013	114-13217	Customer Drawing	
4 PLC	±0.001	WEIGHT	SCALE 4:1 SHEET 1 OF 4 REV A2	
ANGLES	±0.0001	FINISH		

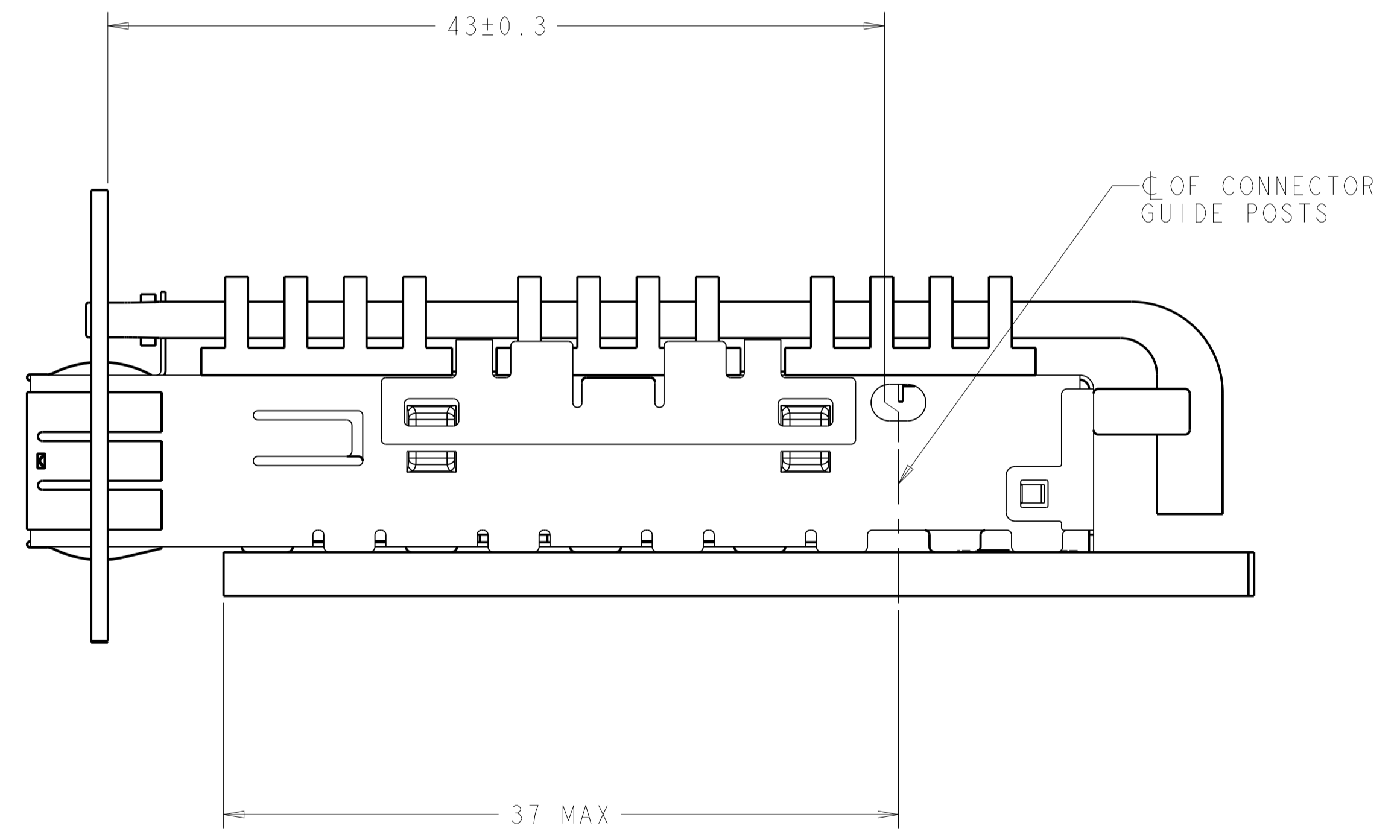
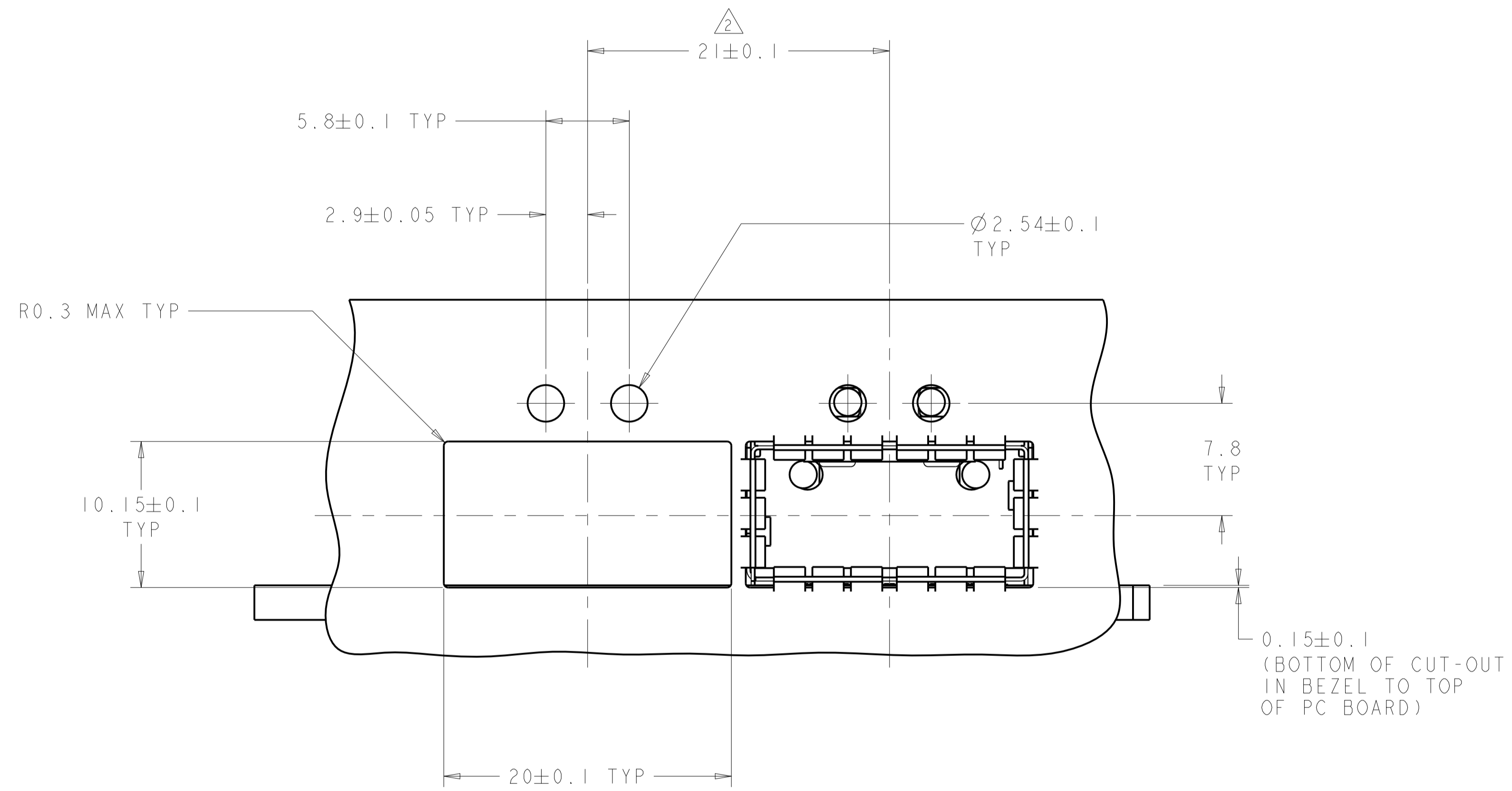
LOC		DIST		REVISONS			
GP	00	P	LYR	DESCRIPTION	DATE	DWN	APVD
		-		SEE SHEET 1			



ISOMETRIC EXPLODED VIEW  
 SCALE 6:1

THIS DRAWING IS A CONTROLLED DOCUMENT.		DWN C. VALENTINE 22FEB2007	<b>STE</b> TE Connectivity														
DIMENSIONS: mm		CHK E. BRIGHT 22FEB2007															
TOLERANCES UNLESS OTHERWISE SPECIFIED:		APVD E. BRIGHT 22FEB2007	NAME CAGE ASSEMBLY, THRU BEZEL, QSFP, W/ HEAT SINK AND DOUBLE LIGHT PIPE														
<table border="1"> <tr><td>0 PLC</td><td>±0.13</td></tr> <tr><td>1 PLC</td><td>±0.13</td></tr> <tr><td>2 PLC</td><td>±0.13</td></tr> <tr><td>3 PLC</td><td>±0.13</td></tr> <tr><td>4 PLC</td><td>±0.013</td></tr> <tr><td>ANGLES</td><td>±0.0001</td></tr> <tr><td>FINISH</td><td>AL</td></tr> </table>		0 PLC	±0.13	1 PLC	±0.13	2 PLC	±0.13	3 PLC	±0.13	4 PLC	±0.013	ANGLES	±0.0001	FINISH	AL	PRODUCT SPEC 108-2286	SIZE 114-13217
0 PLC	±0.13																
1 PLC	±0.13																
2 PLC	±0.13																
3 PLC	±0.13																
4 PLC	±0.013																
ANGLES	±0.0001																
FINISH	AL																
MATERIAL		WEIGHT	RESTRICTED TO														
Customer Drawing		SCALE 4:1	SHEET 2 OF 4 REV A2														

LOC	DIST	REVISIONS					
		P	LTN	DESCRIPTION	DATE	DWN	APVD
GP	00	-	-	SEE SHEET 1	-	-	-

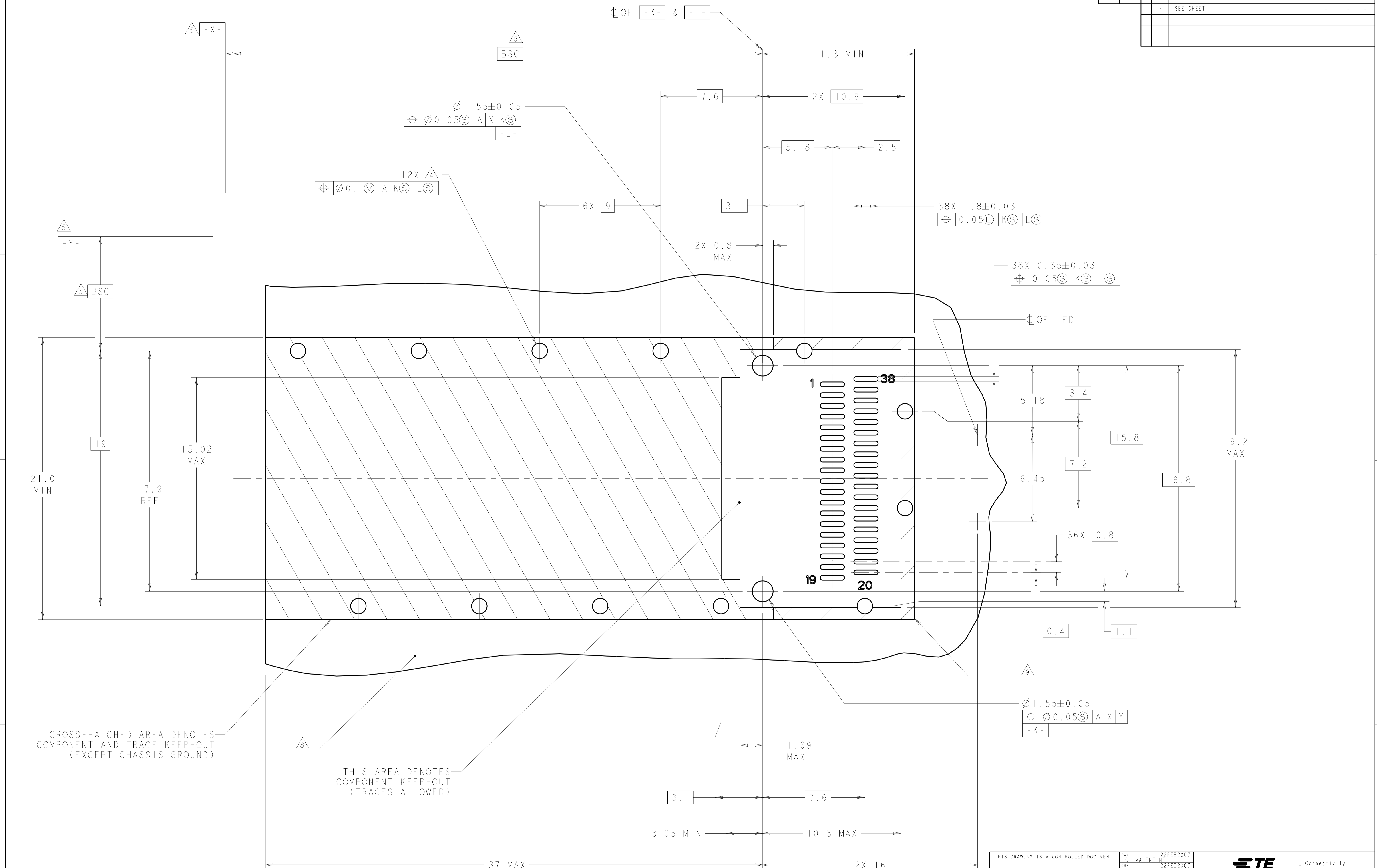


THIS DRAWING IS A CONTROLLED DOCUMENT.		DWN C. VALENTINE 22FEB2007	TE Connectivity
DIMENSIONS: mm		CHK E. BRIGHT 22FEB2007	
TOLERANCES UNLESS OTHERWISE SPECIFIED:		APVD E. BRIGHT 22FEB2007	NAME CAGE ASSEMBLY, THRU BEZEL, QSFP, W/ HEAT SINK AND DOUBLE LIGHT PIPE
0 PLC	±0.13	PRODUCT SPEC	108-2286
1 PLC	±0.13	APPLICATION SPEC	114-13217
2 PLC	±0.13	WEIGHT	-
3 PLC	±0.013	RESTRICTED TO	-
4 PLC	±0.001	SCALE	4:1
ANGLES	±0.0001	SHEET	3 OF 4
MATERIAL	-	Customer Drawing	REV A2
FINISH	-	Customer Drawing	REV A2

LOC	DIST	REV	DATE	BY	APPV
GP	00				

REVISIONS					
REV	DATE	BY	APPV	DESCRIPTION	
-	-	-	-	SEE SHEET 1	



CROSS-HATCHED AREA DENOTES COMPONENT AND TRACE KEEP-OUT (EXCEPT CHASSIS GROUND)

THIS AREA DENOTES COMPONENT KEEP-OUT (TRACES ALLOWED)

RECOMMENDED PC BOARD LAYOUT  
 SCALE 8:1

THIS DRAWING IS A CONTROLLED DOCUMENT.		OWN: C. VALENTINE 22FEB2007	TE Connectivity
DIMENSIONS: mm		CHK: E. BRIGHT 22FEB2007	
TOLERANCES UNLESS OTHERWISE SPECIFIED:		APPV: E. BRIGHT 22FEB2007	NAME: CAGE ASSEMBLY, THRU BEZEL, QSFPP, W/ HEAT SINK AND DOUBLE LIGHT PIPE
0 PLC	±0.13	PRODUCT SPEC	108-2286
2 PLC	±0.13	APPLICATION SPEC	114-13217
3 PLC	±0.13	WEIGHT	A100779C=1888971
4 PLC	±0.013	Customer Drawing	SCALE 4:1 SHEET 4 OF 4 REV A2
ANGLES	±0.0001		
FINISH			