



Chipsmall Limited consists of a professional team with an average of over 10 year of expertise in the distribution of electronic components. Based in Hongkong, we have already established firm and mutual-benefit business relationships with customers from,Europe,America and south Asia,supplying obsolete and hard-to-find components to meet their specific needs.

With the principle of “Quality Parts,Customers Priority,Honest Operation,and Considerate Service”,our business mainly focus on the distribution of electronic components. Line cards we deal with include Microchip,ALPS,ROHM,Xilinx,Pulse,ON,Everlight and Freescale. Main products comprise IC,Modules,Potentiometer,IC Socket,Relay,Connector.Our parts cover such applications as commercial,industrial, and automotives areas.

We are looking forward to setting up business relationship with you and hope to provide you with the best service and solution. Let us make a better world for our industry!



Contact us

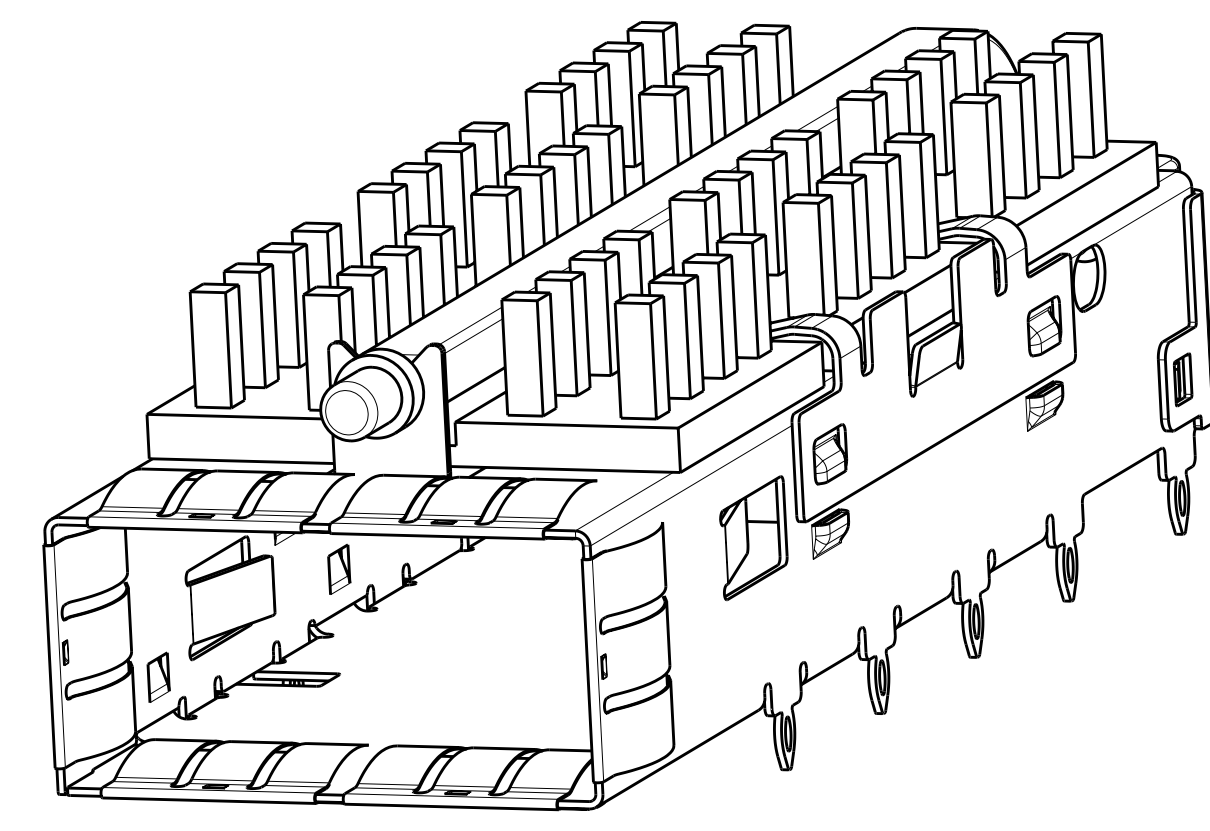
Tel: +86-755-8981 8866 Fax: +86-755-8427 6832

Email & Skype: info@chipsmall.com Web: www.chipsmall.com

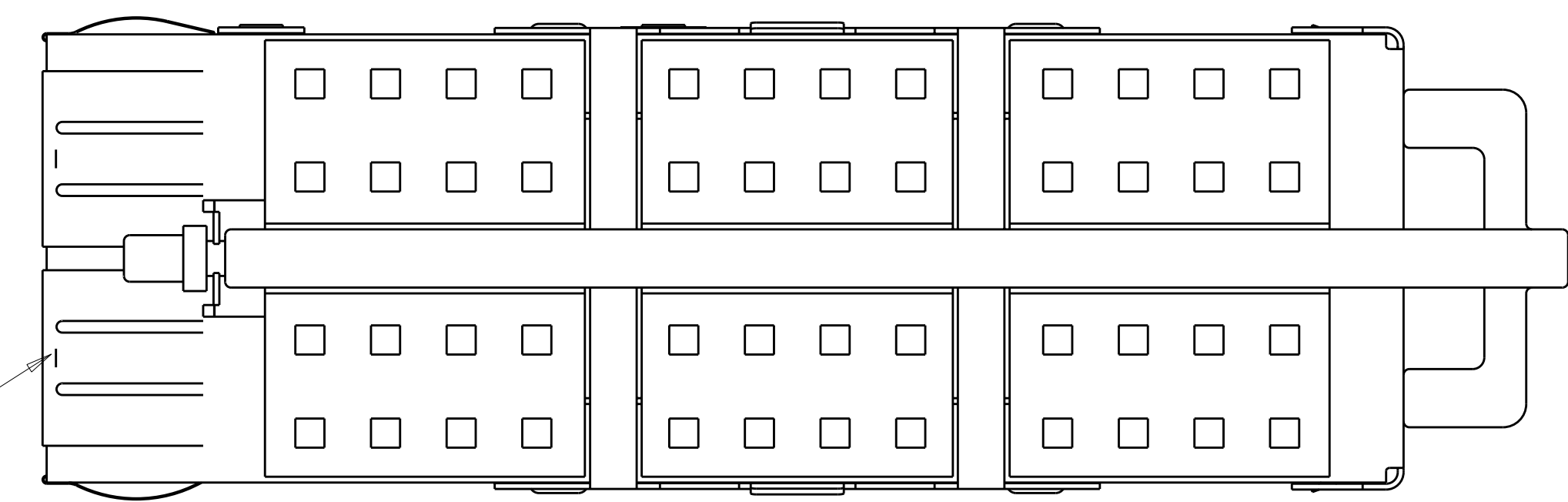
Address: A1208, Overseas Decoration Building, #122 Zhenhua RD., Futian, Shenzhen, China



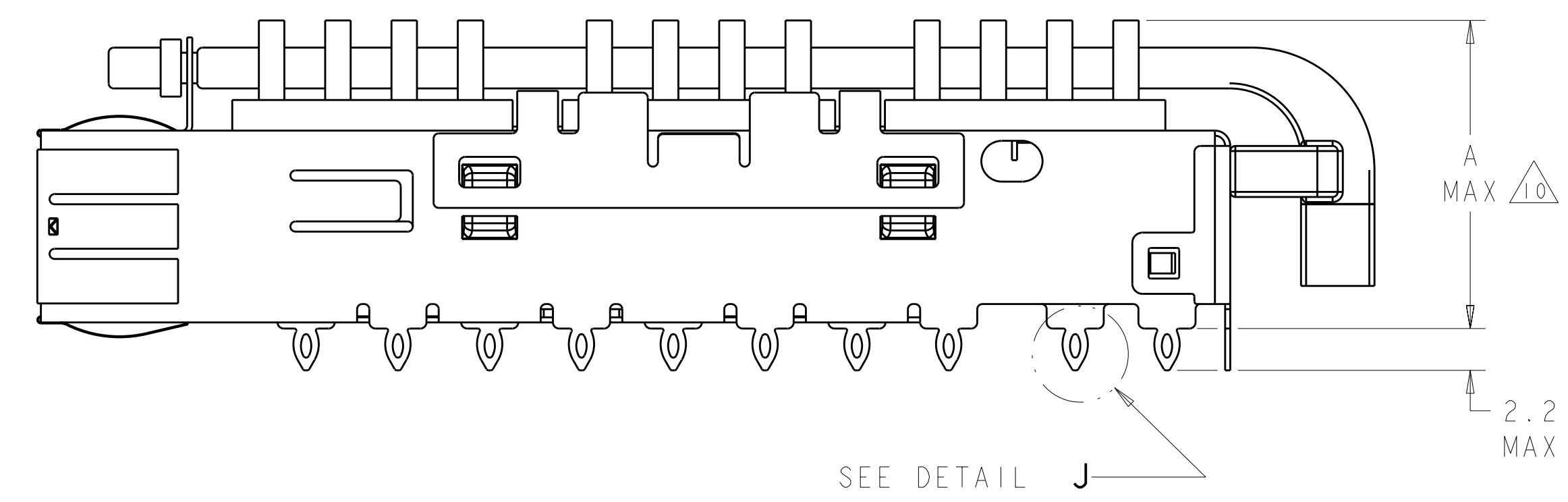
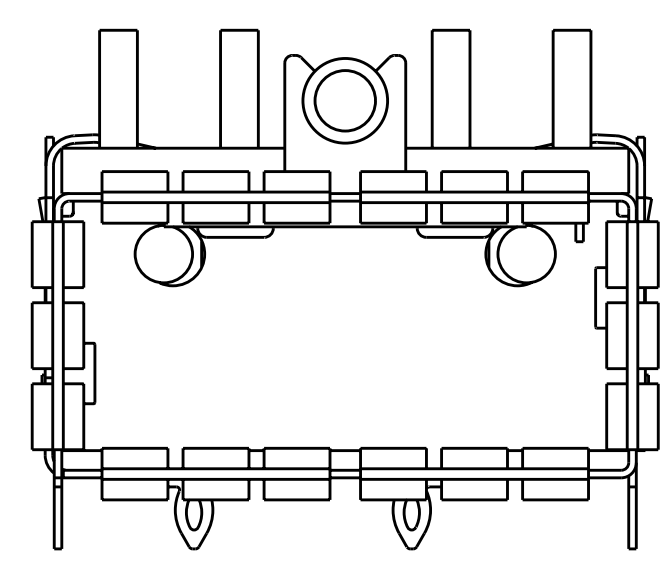
LOC	DIST	REV	DATE	BY	CHK	APPV
GP	00	B	11SEP2009	CR	JP	



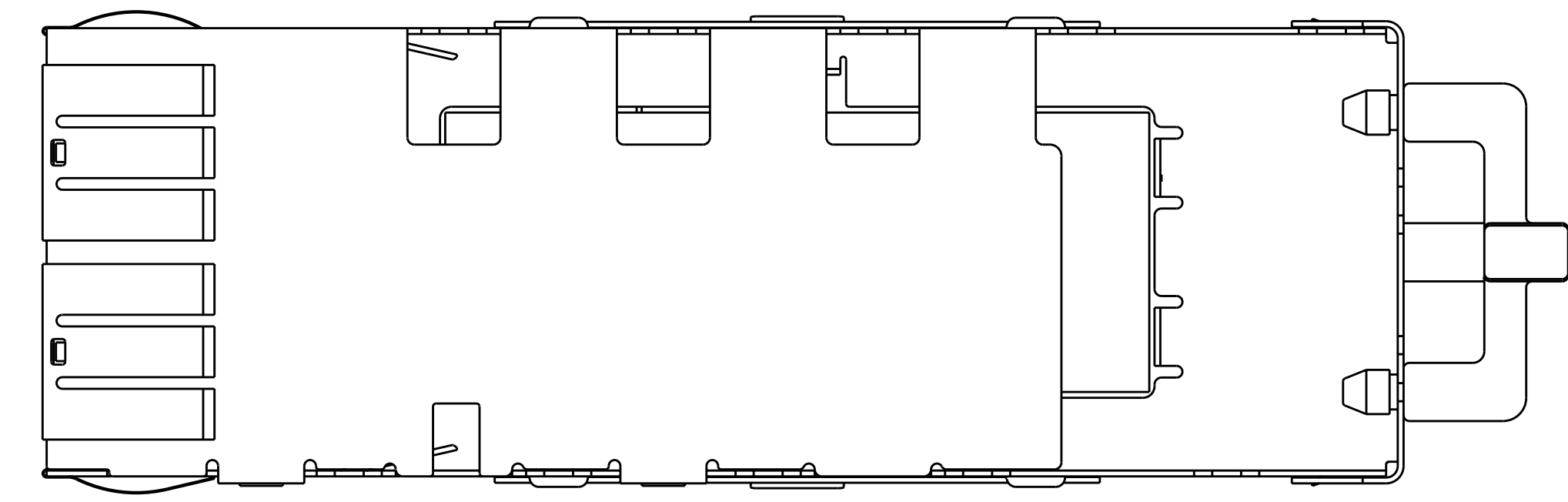
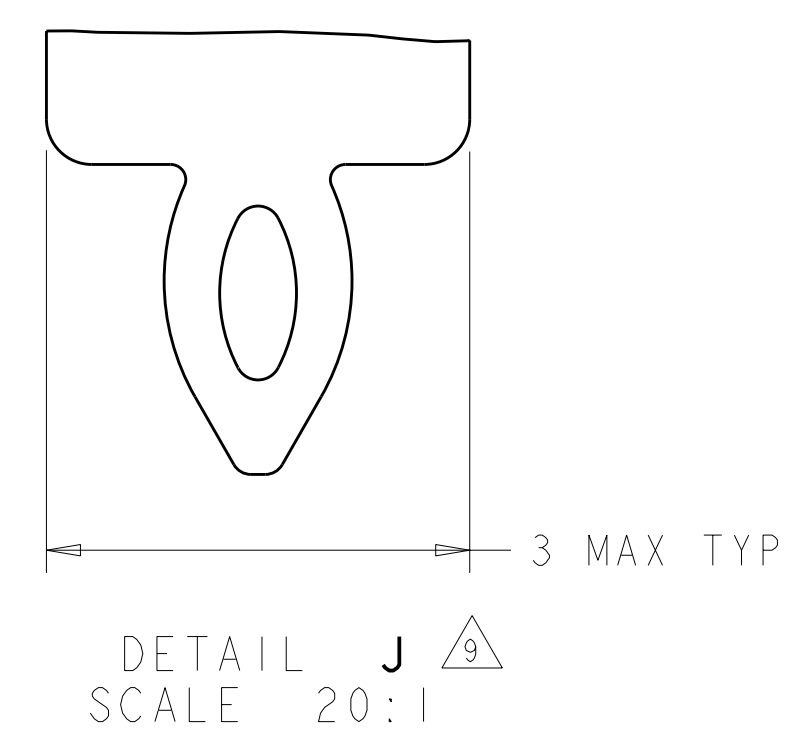
Sn42Bi58 SOLDER
6 PLACES



- 1. CAGE MATERIAL: NICKEL SILVER, 0.25 THICK
 HEAT SINK MATERIAL: ALUMINUM
 HEAT SINK CLIP MATERIAL: STAINLESS STEEL
 LIGHT PIPE MATERIAL: CLEAR POLYCARBONATE, UL-94V-0 RATED.
 EMI SPRING MATERIAL: COPPER ALLOY
- 2. MINIMUM PITCH DIMENSION.
- 3. MATES WITH QSFP MSA COMPATIBLE TRANSCEIVER.
- 4. REFERENCE APPLICATION SPEC 114-13217 FOR RECOMMENDED DRILL HOLE DIAMETER AND PLATING THICKNESS.
- 5. DATUMS AND BASIC DIMENSIONS ESTABLISHED BY CUSTOMER.
- 6. MINIMUM PC BOARD THICKNESS:
 SINGLE SIDED = 1.45mm (shown, pg. 4)
 DOUBLE SIDED = 2.2mm
- 7. HEAT SINK, CLIP, AND LIGHT PIPE SHIPPED ASSEMBLED TO CAGE ASSEMBLY. CAGE ASSEMBLY MAY BE PRESSED INTO THE PCB AS SHIPPED.
- 8. DATUM -A- IS TOP SURFACE OF HOST BOARD.
- 9. SURFACE TRACES PERMITTED WITHIN THIS AREA EXCEPT WHERE CAGE STANDOFFS, SHOWN IN DETAIL J, CONTACT PC BOARD.
- 10. DIMENSION APPLIES WITH MODULE INSTALLED IN THE CAGE TO TOP OF HEAT SINK.
- 11. MAXIMUM HEIGHT OF CUSTOMER SUPPLIED LED OFF PC BOARD: 1.70mm.
- 12. DATE CODE (YYWWD) MARKED ON TOP OF CAGE AND CONCEALED BY HEAT SINK APPLIES TO CAGE ASSEMBLY ONLY.
- 13. SPRING FINISH: 0.8µm MIN TIN OVER 0.8µm MIN NICKEL. NON-PLATED EDGES PERMISSIBLE.
- 14. PRODUCT HAS NOT COMPLETED QUALIFICATION TESTING.
- 15. HEAT SINK AND CLIP SHIPPED ASSEMBLED TO CAGE ASSEMBLY. CAGE ASSEMBLY MAY BE PRESSED INTO THE PCB AS SHIPPED. LIGHT PIPE MUST BE ASSEMBLED BY CUSTOMER AFTER THE CAGE IS SEATED ON THE PCB.



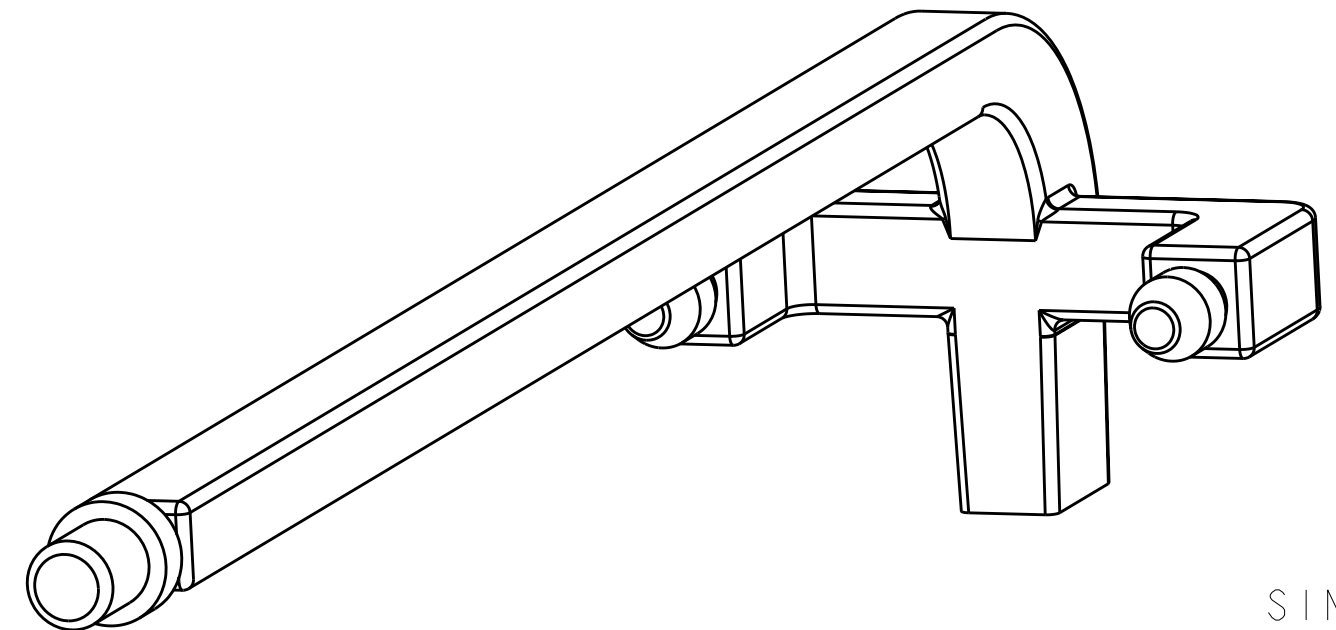
SEE DETAIL J



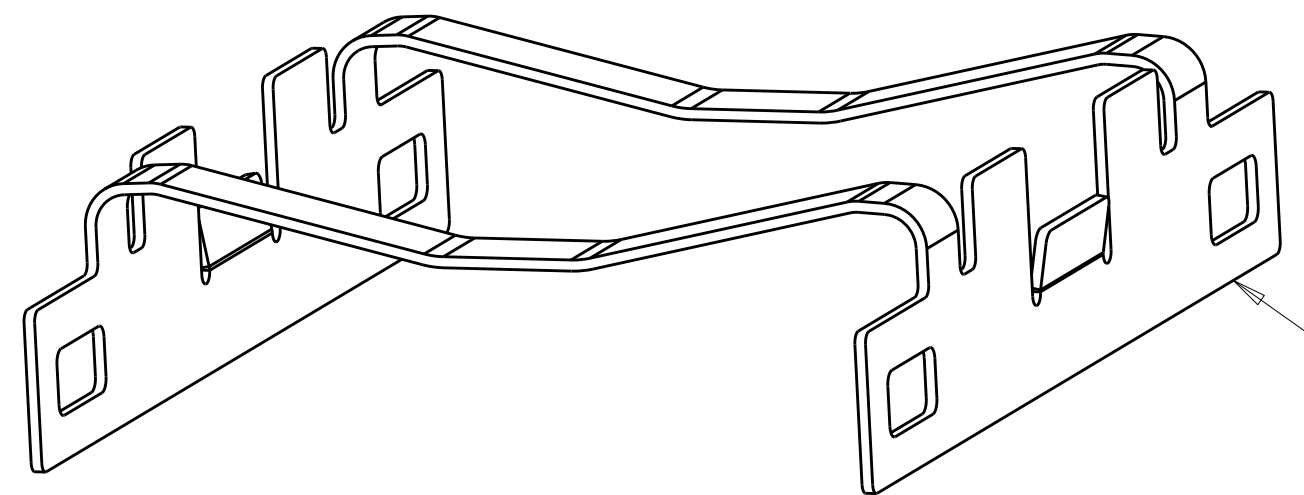
SIZE	CAGE CODE	DESCRIPTION	PART NUMBER
13.7		PCI HEAT SINK	1888972-3
23.0		NETWORKING HEAT SINK	1888972-2
16.0		SAN HEAT SINK (SHOWN)	1888972-1

DIMENSIONS: mm 		TOLERANCES UNLESS OTHERWISE SPECIFIED: 9 PLC ±.5 1 PLC ±0.5 2 PLC ±0.13 3 PLC ±0.013 4 PLC ±0.001 ANGLES ±.1		DWN C. VALENTINE 09MAR2007 CHK E. BRIGHT 09MAR2007 APPV E. BRIGHT 09MAR2007		Tyco Electronics Harrisburg, PA 17105-3608	
MATERIAL 		FINISH 		NAME CAGE ASSEMBLY, THRU BEZEL, QSFP, W/ HEAT SINK AND SINGLE LIGHT PIPE		PRODUCT SPEC 108-2286	
CUSTOMER DRAWING		WEIGHT -		SIZE CAGE CODE DRAWING NO A 100779 C-1888972		RESTRICTED TO -	
SCALE 4:1		SHEET 1 OF 4		REV B		DATE 11SEP2009	

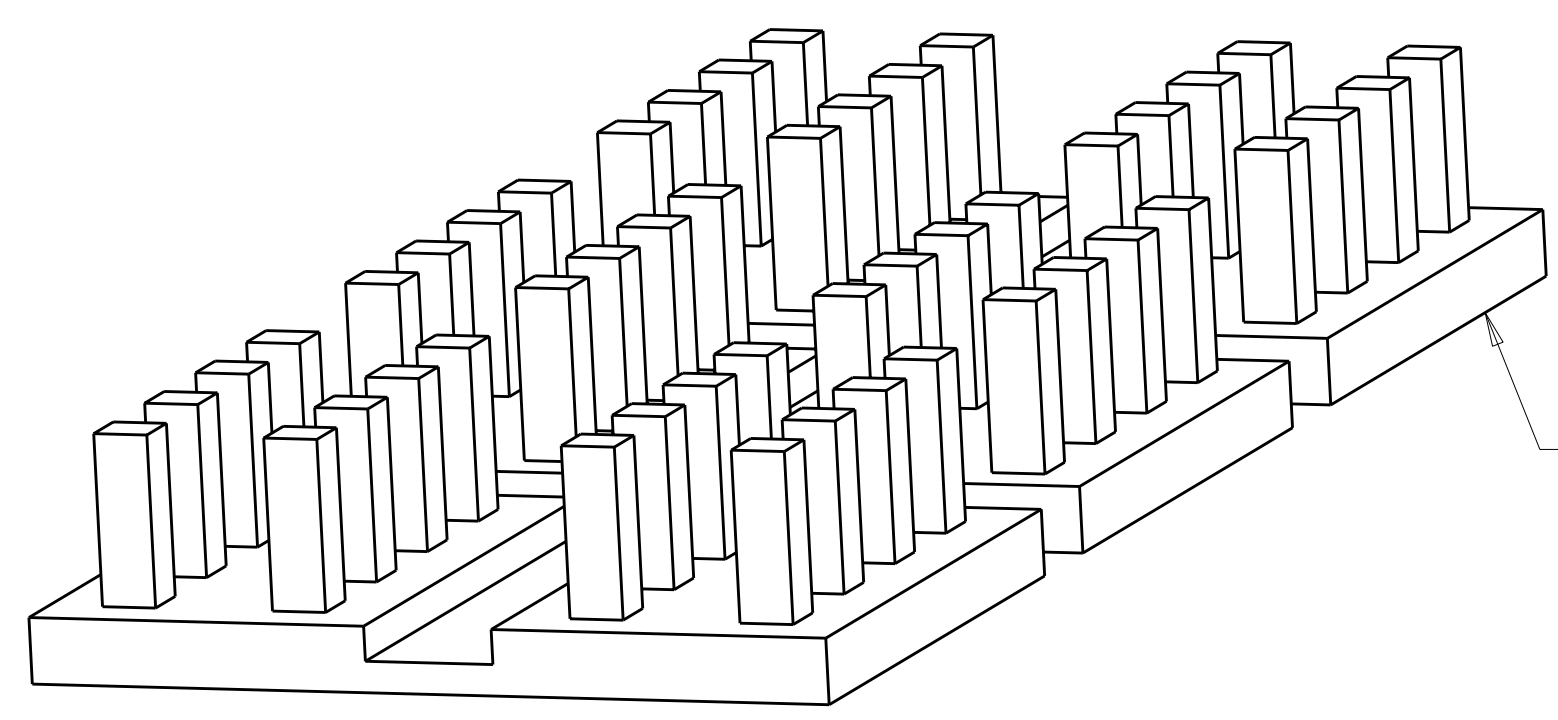
LOC	DIST	REVISIONS			
REV	DATE	DESCRIPTION	DATE	OWN	APVD
GP	00	SEE SHEET 1	-	-	-



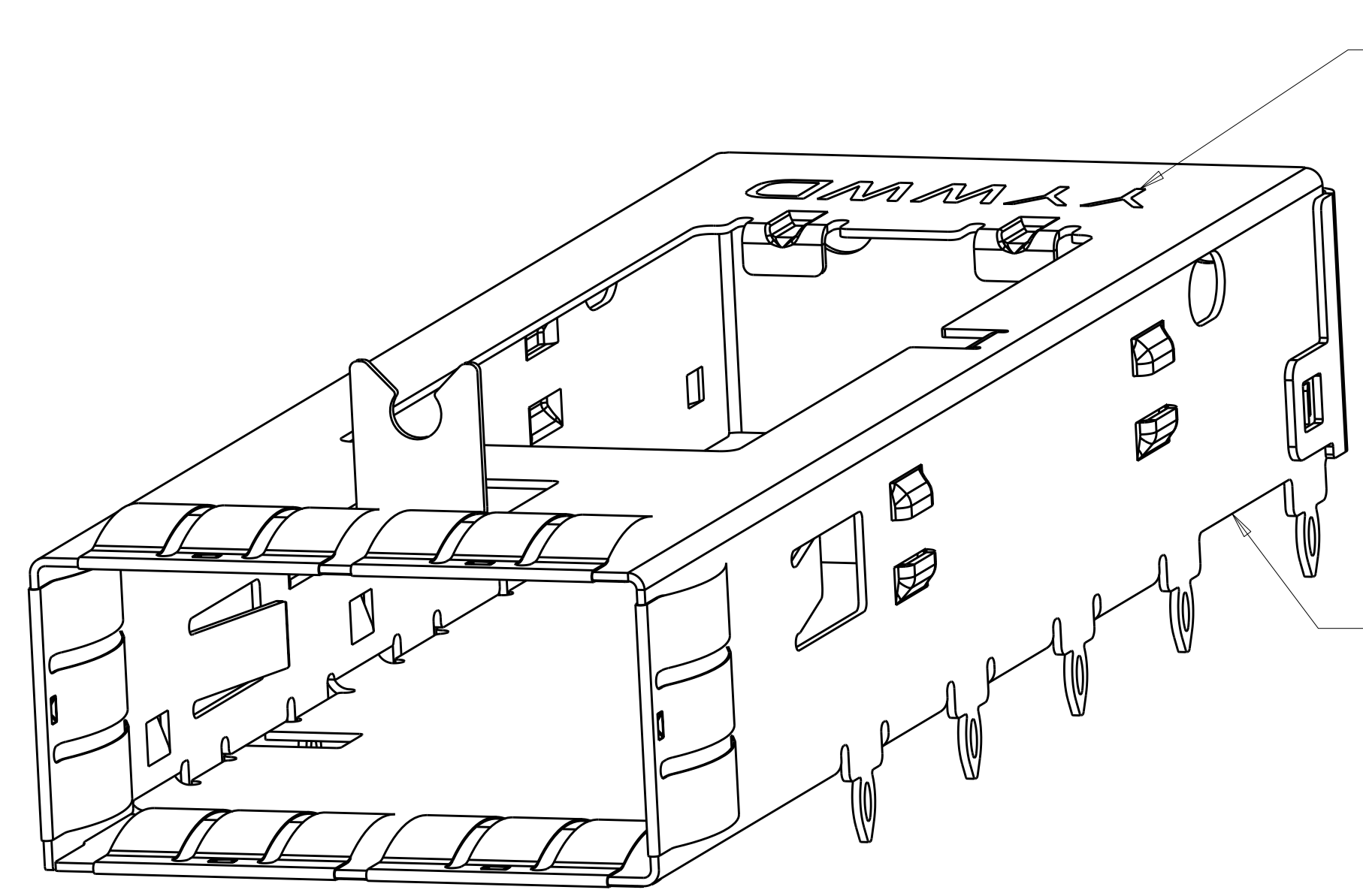
SINGLE LIGHT PIPE $\nabla 15$



HEAT SINK CLIP $\nabla 15$



HEAT SINK $\nabla 15$

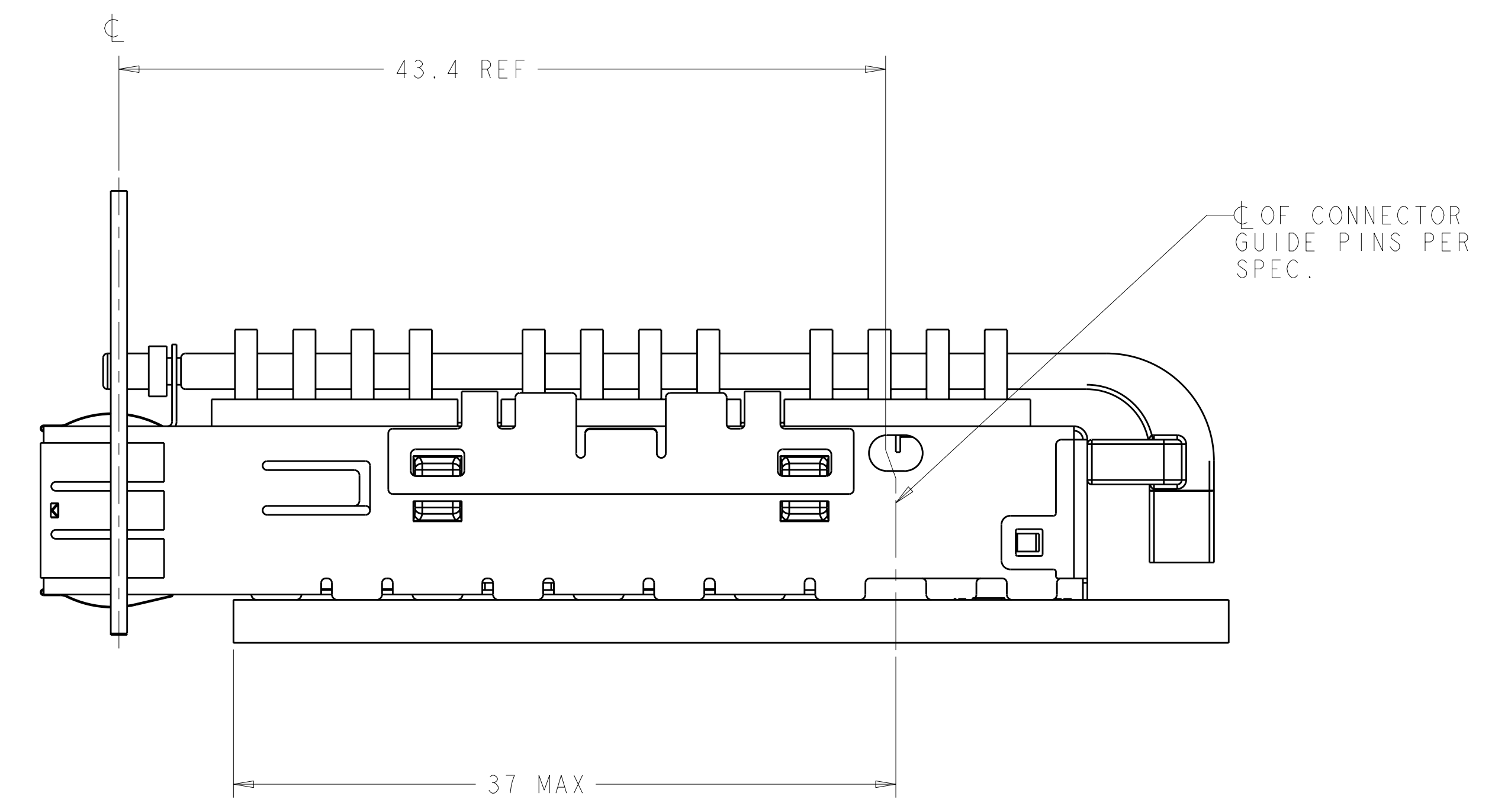
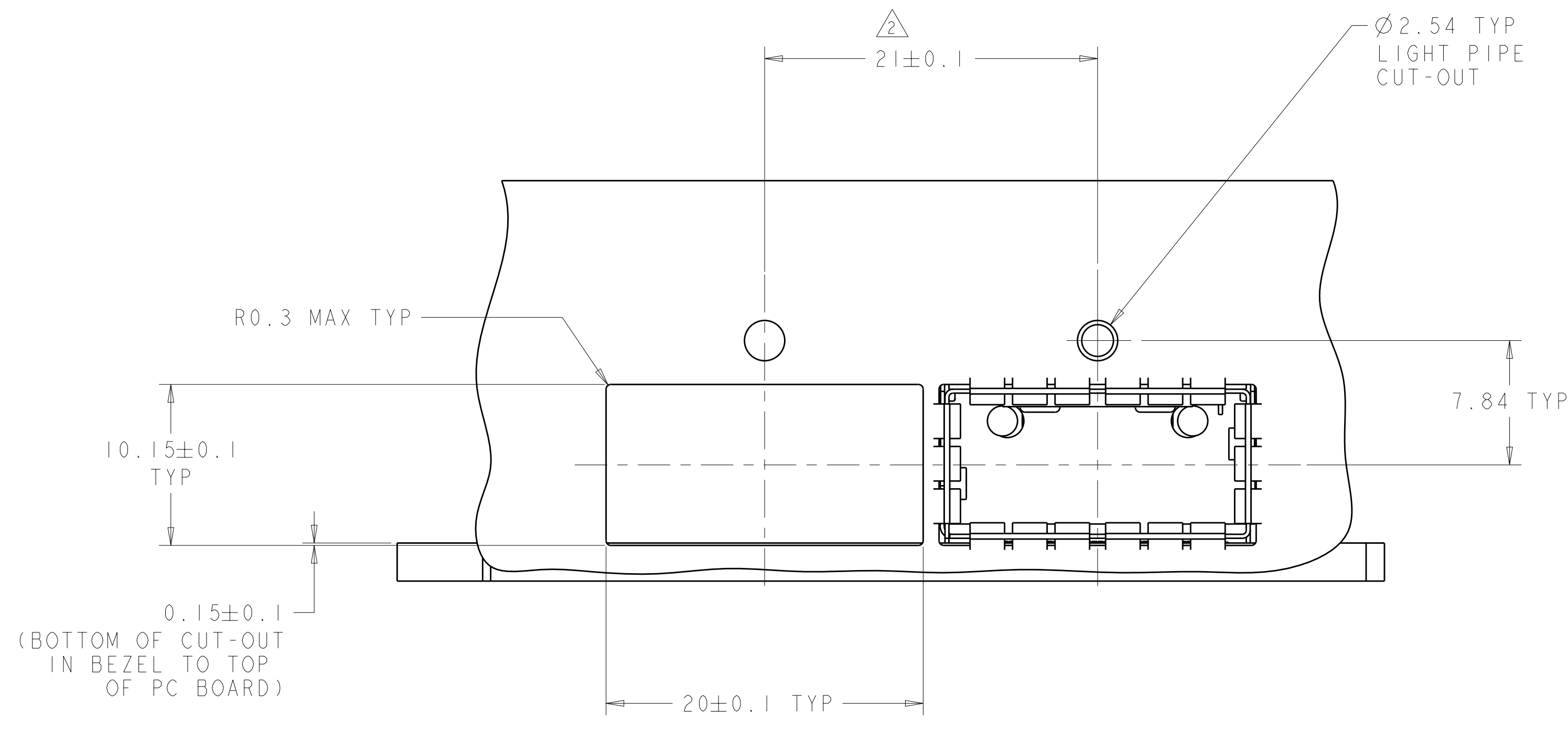


SINGLE QSFP CAGE
W/ LIGHT PIPE HOLDER $\nabla 12$

EXPLODED ISOMETRIC VIEW
SCALE 6:1

<small>THIS DRAWING IS UNPUBLISHED. RELEASED FOR PUBLICATION 2007. IT IS SUBJECT TO CHANGE WITHOUT NOTICE AND WITHOUT OBLIGATION. SHOULD BE CONTACTED FOR THE LATEST REVISION.</small>		DWN C. VALENTINE 09MAR2007 CHK E. BRIGHT 09MAR2007 APVD E. BRIGHT 09MAR2007	Tyco Electronics Harrisburg, PA 17105-3608
DIMENSIONS: mm 		TOLERANCES UNLESS OTHERWISE SPECIFIED: 0 PLC ± 1 PLC ±0.5 2 PLC ±0.13 3 PLC ±0.013 4 PLC ±0.001 ANGLES ± FINISH	NAME CAGE ASSEMBLY, THRU BEZEL, QSFP, W/ HEAT SINK AND SINGLE LIGHT PIPE PRODUCT SPEC 108-2286 APPLICATION SPEC 114-13217 WEIGHT - CUSTOMER DRAWING
MATERIAL - FINISH -		SIZE A CAGE CODE 100779 DRAWING NO C-1888972 RESTRICTED TO -	SCALE 4:1 SHEET 2 OF 4 REV B

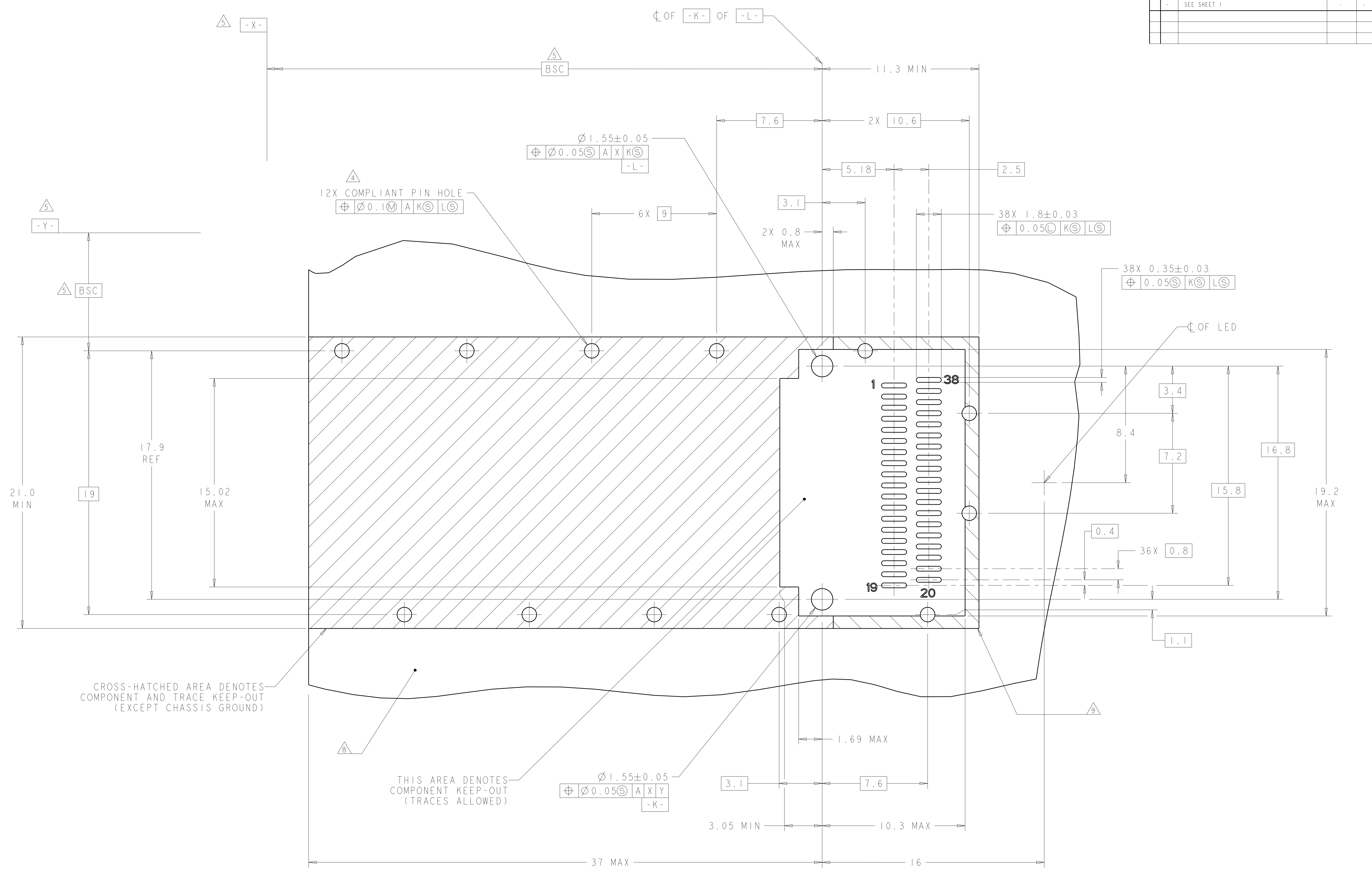
LOC	DIST	REVISIONS			
P	LTB	DESCRIPTION	DATE	DWN	APVD
-	-	SEE SHEET 1	-	-	-



<small>THIS DRAWING IS UNPUBLISHED. RELEASED FOR PUBLICATION 2007. IT IS SUBJECT TO CHANGE WITHOUT NOTICE AND WITHOUT OBLIGATION. SHOULD BE CONTACTED FOR THE LATEST REVISION.</small>		DWN C. VALENTINE 09MAR2007 CHK E. BRIGHT 09MAR2007 APVD E. BRIGHT 09MAR2007	Tyco Electronics Harrisburg, PA 17105-3608
DIMENSIONS: mm 		TOLERANCES UNLESS OTHERWISE SPECIFIED: 0 PLC ± 1 PLC ±0.5 2 PLC ±0.13 3 PLC ±0.013 4 PLC ±0.001 ANGLES ±	NAME CAGE ASSEMBLY, THRU BEZEL, QSFP, W/ HEAT SINK AND SINGLE LIGHT PIPE PRODUCT SPEC 108-2286 APPLICATION SPEC 114-13217 WEIGHT CUSTOMER DRAWING
MATERIAL FINISH		SIZE A1100779C-1888972 SCALE 4:1	RESTRICTED TO SHEET 3 OF 4 REV B

LOC	DIST	REV	DATE	BY	APPD
GP	00				

REVISIONS		
NO.	DESCRIPTION	DATE
1	SEE SHEET 1	



CROSS-HATCHED AREA DENOTES COMPONENT AND TRACE KEEP-OUT (EXCEPT CHASSIS GROUND)

THIS AREA DENOTES COMPONENT KEEP-OUT (TRACES ALLOWED)

RECOMENDED PC BOARD LAYOUT
 SCALE 8:1

<small>THIS DRAWING IS UNPUBLISHED. RELEASED FOR PUBLICATION 2007 BY TYCO ELECTRONICS CORPORATION, ALL RIGHTS RESERVED.</small>		DWN C. VALENTINE 09MAR2007 CHK E. BRIGHT 09MAR2007 APVD E. BRIGHT 09MAR2007	Tyco Electronics Harrisburg, PA 17105-3608
DIMENSIONS: mm 		TOLERANCES UNLESS OTHERWISE SPECIFIED: 9 PLG ±.5 8 PLG ±0.5 5 PLG ±0.13 4 PLG ±0.013 ANGLES ±0.0001	NAME: CAGE ASSEMBLY, THRU BEZEL, QSFP, W/ HEAT SINK AND SINGLE LIGHT PIPE PRODUCT SPEC: 108-2286 APPLICATION SPEC: 114-13217 WEIGHT: - CUSTOMER DRAWING
MATERIAL: - FINISH: -		SIZE: 114-13217 CAGE CODE: A100779 DRAWING NO: C-1888972	RESTRICTED TO: - SCALE: 4:1 SHEET: 4 OF 4 REV: B