



Chipsmall Limited consists of a professional team with an average of over 10 year of expertise in the distribution of electronic components. Based in Hongkong, we have already established firm and mutual-benefit business relationships with customers from,Europe,America and south Asia,supplying obsolete and hard-to-find components to meet their specific needs.

With the principle of "Quality Parts,Customers Priority,Honest Operation,and Considerate Service",our business mainly focus on the distribution of electronic components. Line cards we deal with include Microchip,ALPS,ROHM,Xilinx,Pulse,ON,Everlight and Freescale. Main products comprise IC,Modules,Potentiometer,IC Socket,Relay,Connector.Our parts cover such applications as commercial,industrial, and automotives areas.

We are looking forward to setting up business relationship with you and hope to provide you with the best service and solution. Let us make a better world for our industry!



Contact us

Tel: +86-755-8981 8866 Fax: +86-755-8427 6832

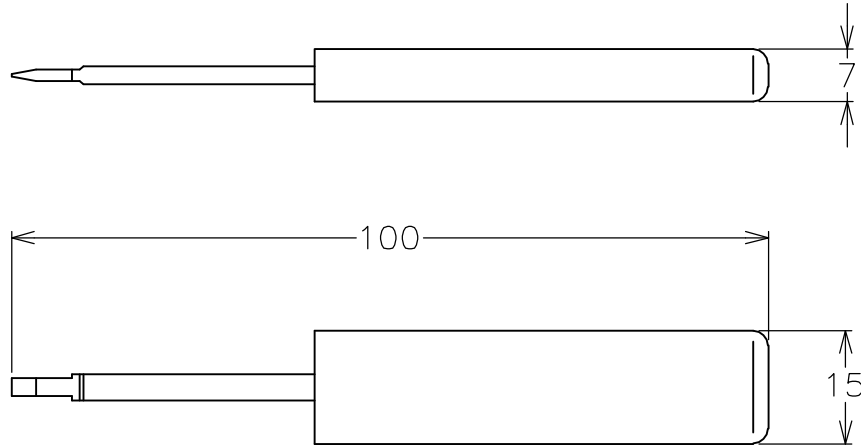
Email & Skype: info@chipsmall.com Web: www.chipsmall.com

Address: A1208, Overseas Decoration Building, #122 Zhenhua RD., Futian, Shenzhen, China



LOC J	DIST —	REVISIONS 変更			DATE	DWN	APVD
		P	LTR	DESCRIPTION	15NOV06	S.N	APVD
			A	RELEASED		S.Y	

-1: AS SHOWN



はじめに

この工具はダイナミック 1900 D 3.5mm PITCH RECハウジングに電線を抜き差しする際に使用する工具です。

適用製品

X-1871940-X DYNAMIC 1900 D 3.5mm PITCH REC ASSY (SPRING CLAMP TYPE)

工具取扱説明書

411-78263


RELEASED FOR PUBLICATION

ALL RIGHTS RESERVED.

BY TYCO ELECTRONICS CORPORATION.

© COPYRIGHT

THIS DRAWING IS UNPUBLISHED.

DIMENSIONS: 単位： 耗 mm	DWN	S.NAKA	15.NOV.2006	MATERIAL	材料	—	FINISH	仕上	—	
	CHK	S.NAKA	15.NOV.2006	 Tyco Electronics AMP K.K. Kawasaki, Japan						
TOLERANCES UNLESS OTHERWISE SPECIFIED: 一般公差	APVD	S.YABE	15.NOV.2006							NAME
	PRODUCT SPEC	製品規格	—	SIZE	CAGE CODE	DRAWING NO	番号	RESTRICTED TO	—	
	APPLICATION SPEC	取付適用規格	—	A4	00779	C-1891348				
0 PLC ± -	WEIGHT	約 20g	CUSTOMER DRAWING						SCALE	1:1
1 PLC ± -							SHEET	1 OF 1	REV	A
2 PLC ± -										
3 PLC ± -										
4 PLC ± -										
ANGLES ± -										

