



Chipsmall Limited consists of a professional team with an average of over 10 year of expertise in the distribution of electronic components. Based in Hongkong, we have already established firm and mutual-benefit business relationships with customers from,Europe,America and south Asia,supplying obsolete and hard-to-find components to meet their specific needs.

With the principle of “Quality Parts,Customers Priority,Honest Operation,and Considerate Service”,our business mainly focus on the distribution of electronic components. Line cards we deal with include Microchip,ALPS,ROHM,Xilinx,Pulse,ON,Everlight and Freescale. Main products comprise IC,Modules,Potentiometer,IC Socket,Relay,Connector.Our parts cover such applications as commercial,industrial, and automotives areas.

We are looking forward to setting up business relationship with you and hope to provide you with the best service and solution. Let us make a better world for our industry!



Contact us

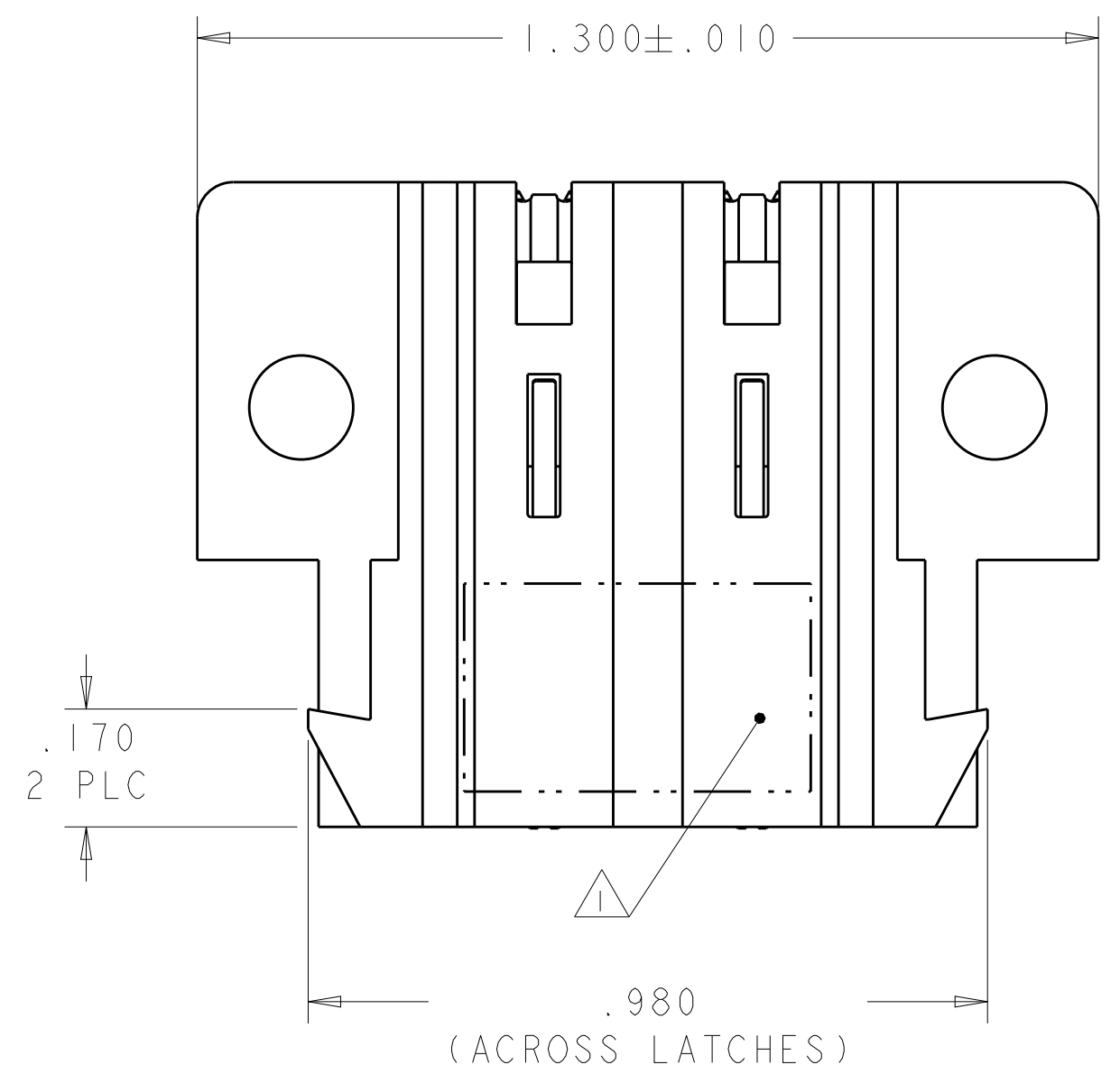
Tel: +86-755-8981 8866 Fax: +86-755-8427 6832

Email & Skype: info@chipsmall.com Web: www.chipsmall.com

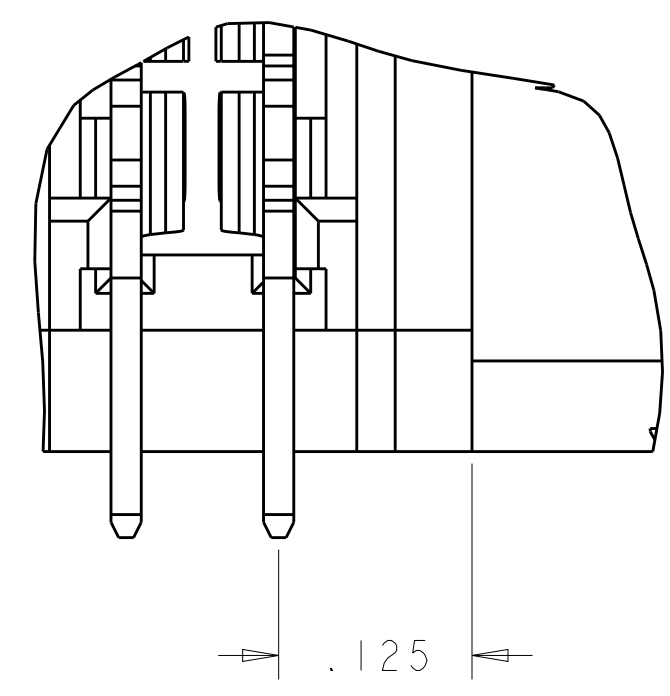
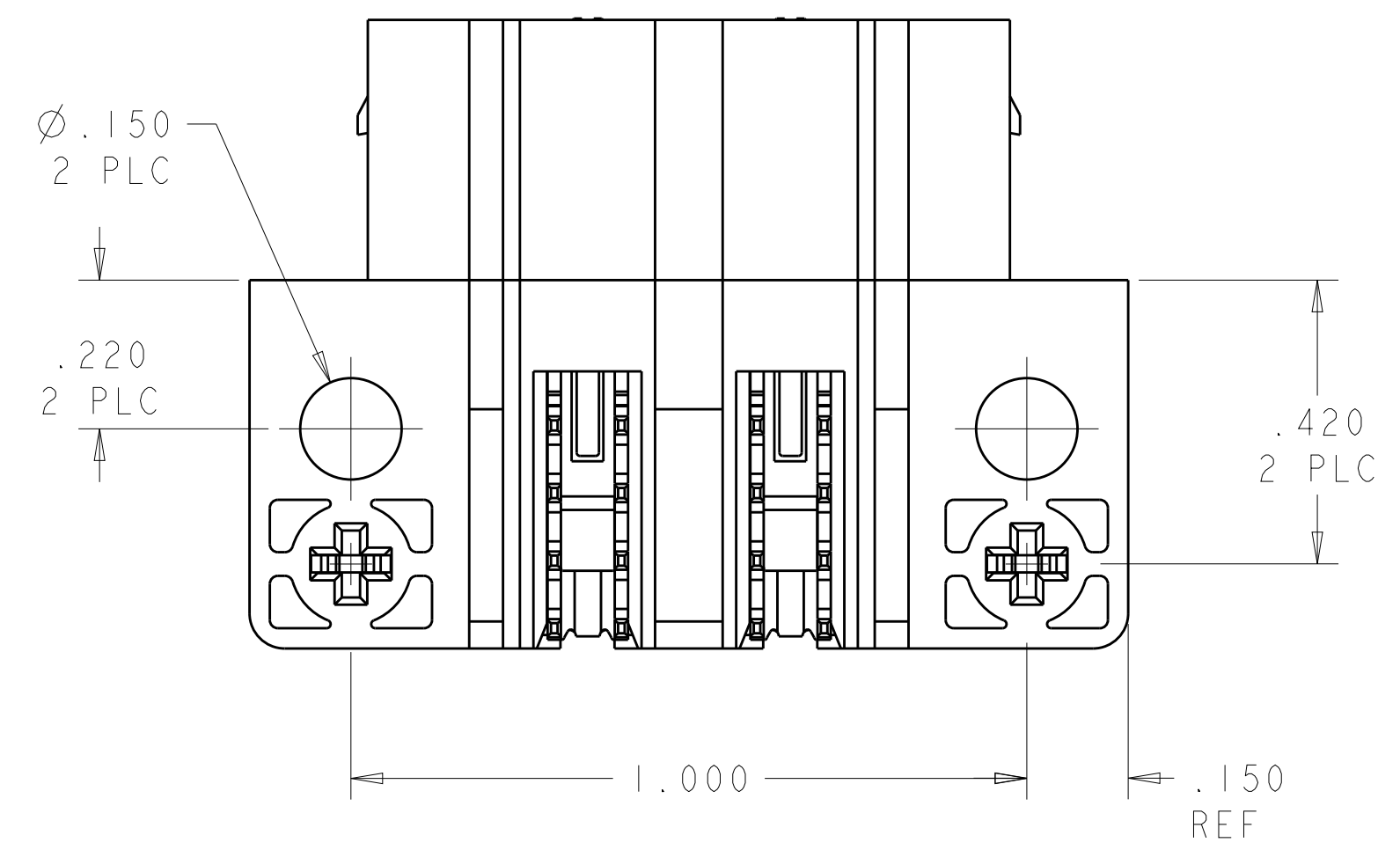
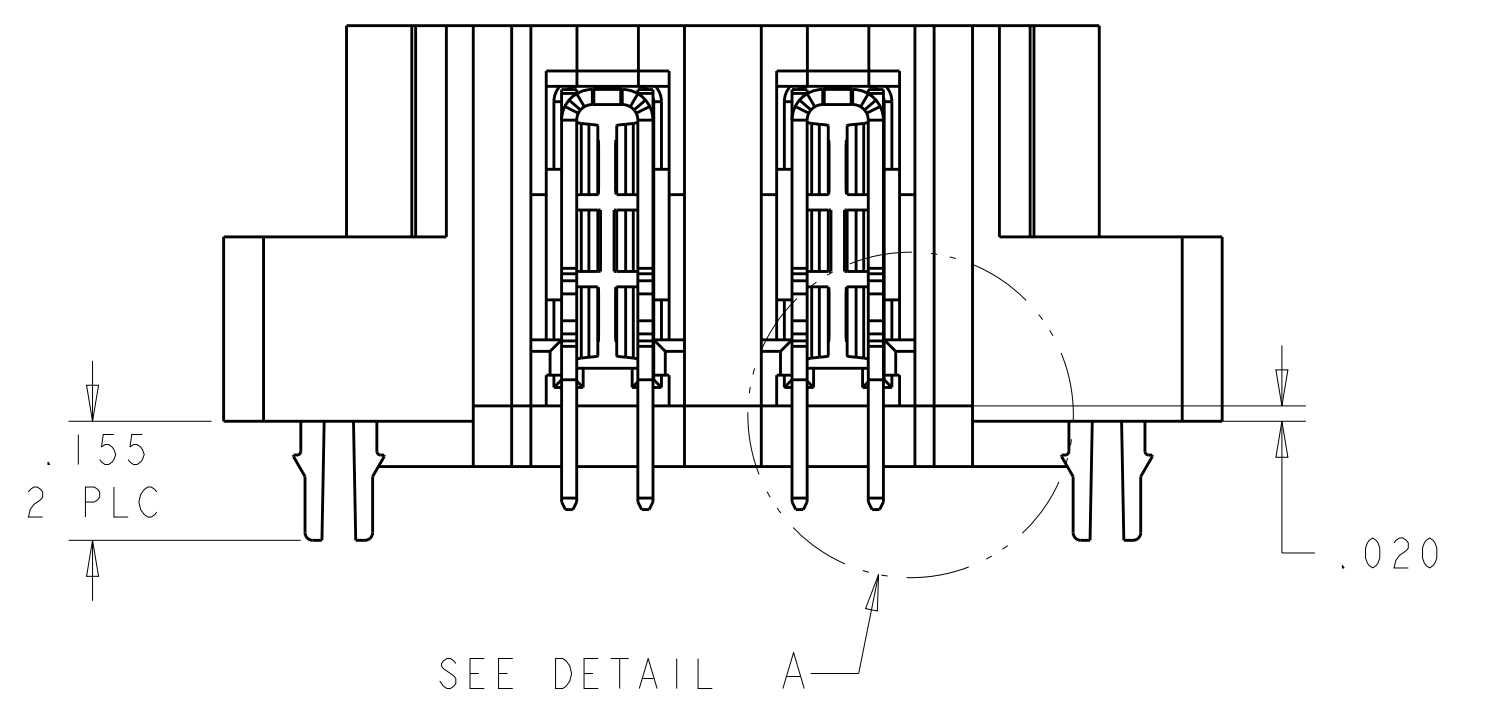
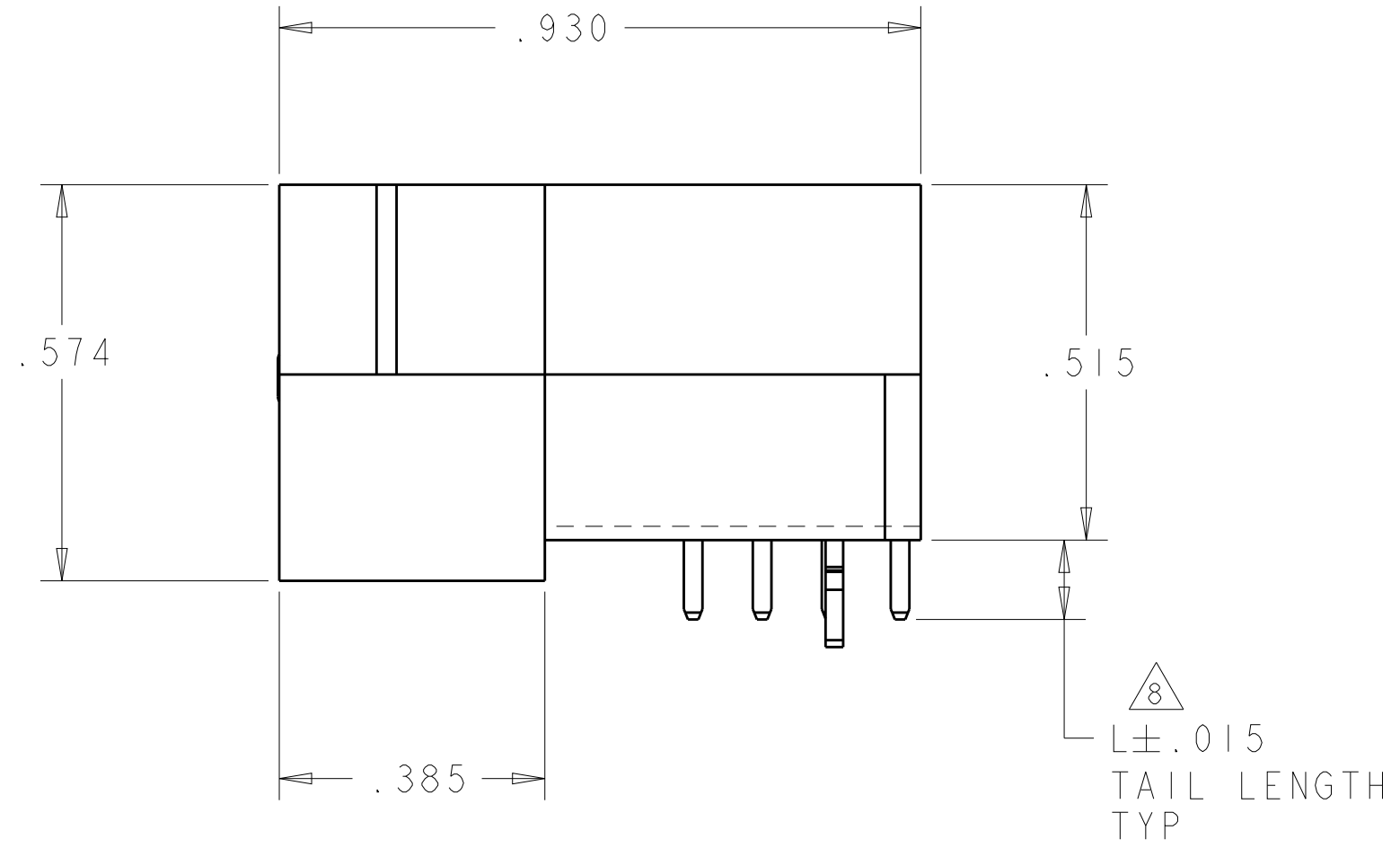
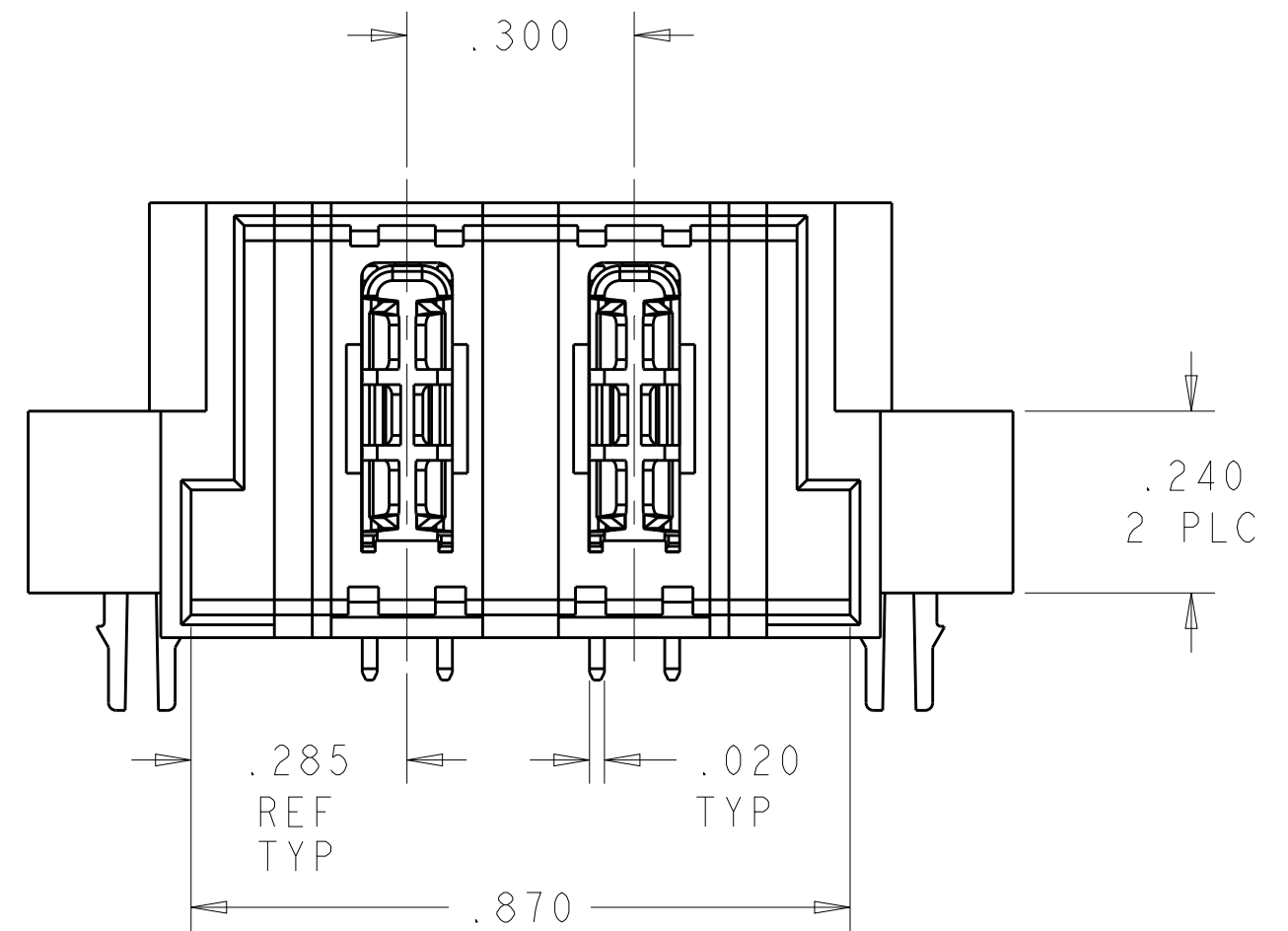
Address: A1208, Overseas Decoration Building, #122 Zhenhua RD., Futian, Shenzhen, China



LOC	DIST	REVISIONS					
		P	LTN	DESCRIPTION	DATE	DWN	APVD
ES	00	D1		REV PER ECR-12-011257	01JUN2012	ML	SZ



- ① "AMP" PART NUMBER AND DATE CODE TO BE MARKED IN AREA SHOWN. PARTS UNDER 2.00 INCHES LONG MAY BE MARKED ON BOTH SIDES.
- ② MATERIAL: HOUSING - GLASS FILLED HIGH TEMP THERMO PLASTIC, UL 94 V-0
 POWER CONTACT - HIGH CONDUCTIVITY COPPER ALLOY.
- ③ CONTACT PLATING: NOBLE METAL PLATING ON CONTACT FUNCTIONAL AREA OF POWER AND SIGNAL CONTACTS.
- ④ MECHANICAL CONNECTOR KEEP OUT ZONE. WHEN PLACING CONNECTORS END-TO-END, ALLOW ADDITIONAL 0.1 CLEARANCE BETWEEN CONNECTORS FOR LATCH ACTIVATION.
- ⑤ DATUM AND BASIC DIMENSIONS ESTABLISHED BY CUSTOMER.
- ⑥ PCB - ALL HOLE DIAMETERS ARE FINISHED HOLE SIZES.
- ⑦ PCB - .0453 ± .0010 DRILLED HOLES PLATED WITH .0003 MIN Sn OVER .001 TO .003 Cu PLATING TO ACHIEVE A .040 DIA HOLE.
- ⑧ THIS TAIL LENGTH REFLECTS THE .020 HOUSING STAND-OFFS ON EACH END.



DETAIL A
 SCALE 8:1

PACKING TYPE	DESCRIPTION	PART NUMBER
TRAY	2ACP	1892109-6
TAPE & REEL	2ACP	1892109-5
TAPE & REEL	2ACP	1892109-3
TRAY	2ACP	1892109-1

THIS DRAWING IS A CONTROLLED DOCUMENT. DWN: CECILY.ZHOU 23MAR2006
 CHK: SUNY_ZHAO 23MAR2006
 APVD: SUNY_ZHAO

STE TE Connectivity

NAME: RIGHT ANGLE HEADER ASSEMBLY W/ END LATCHES W/HIGH DURABILITY POWER CONTACT MULTI-BEAM XL

PRODUCT SPEC: 108-1973
 APPLICATION SPEC: 114-13038

SIZE: 114-13038
 WEIGHT: -
 CUSTOMER DRAWING

SCALE: 4:1 SHEET 1 OF 2 REV D2

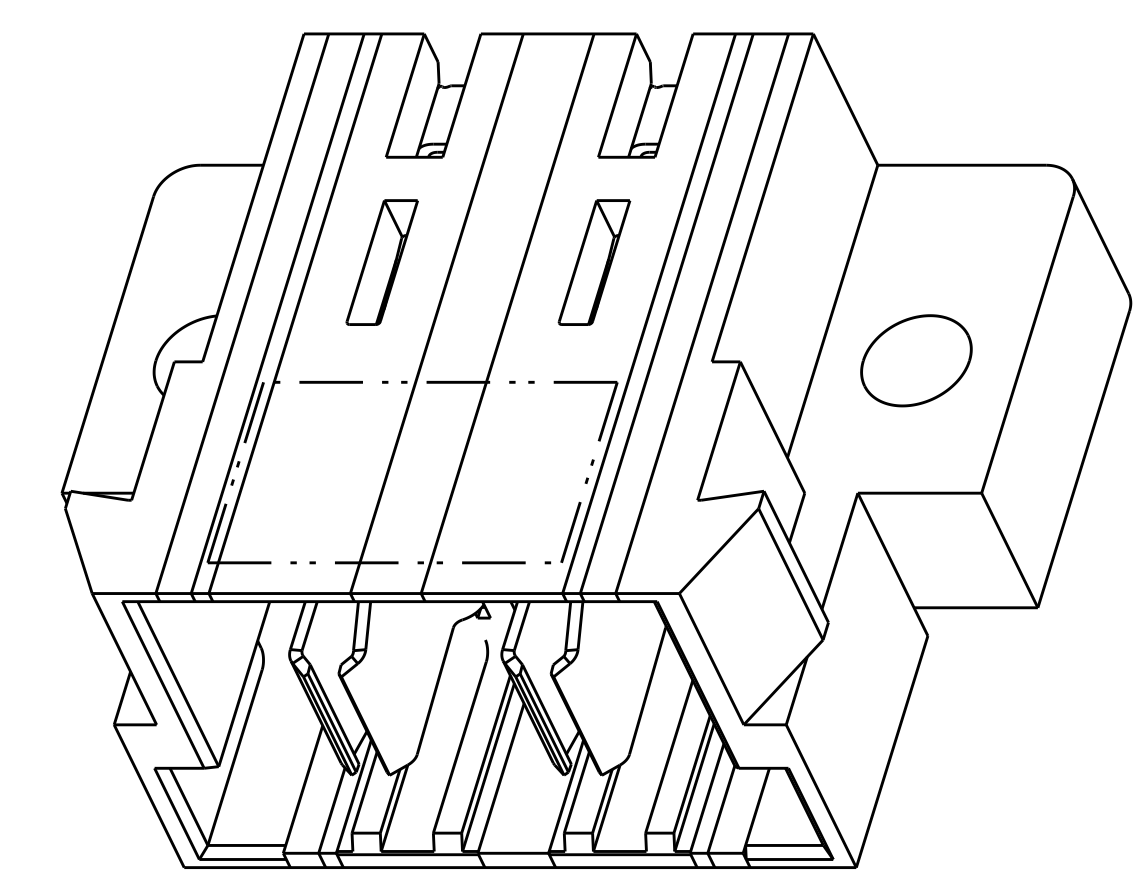
LOC	DIST	REV	DATE	BY	APPV
ES	00				
DESCRIPTION			DATE	BY	APPV
SEE SHEET 1					

PART NUMBER	ROWS	POWER	
		P1	P2
1892109-1	D C B A	TM	TM
2ACP		HD	HD

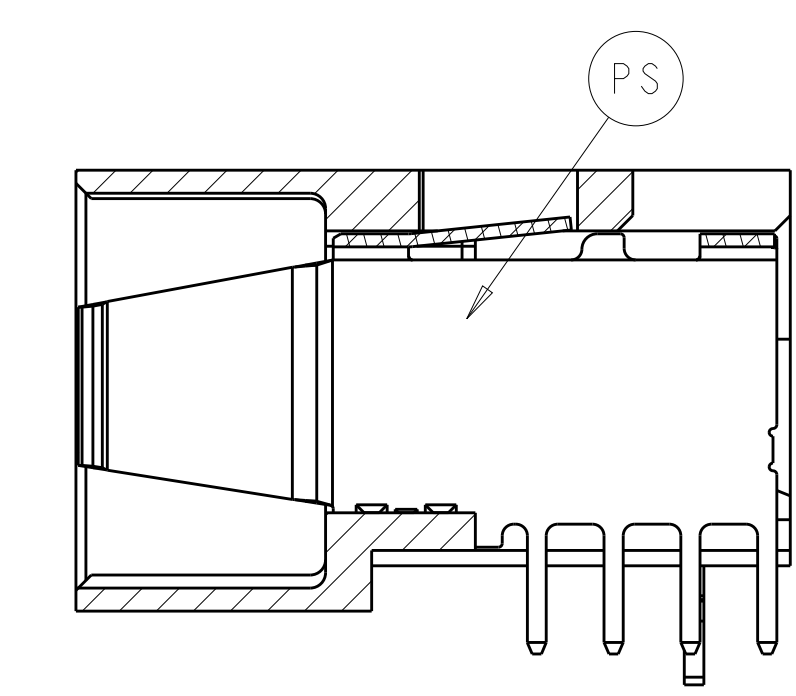
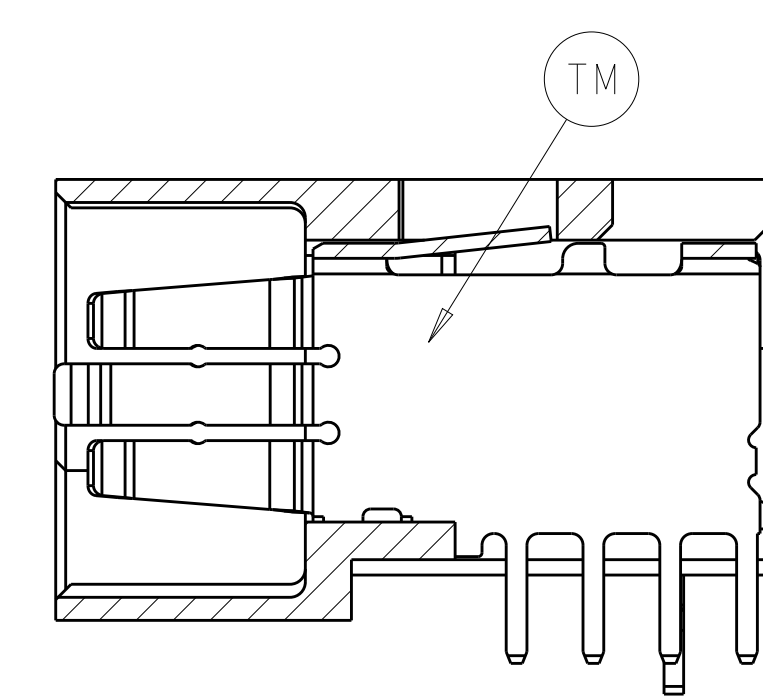
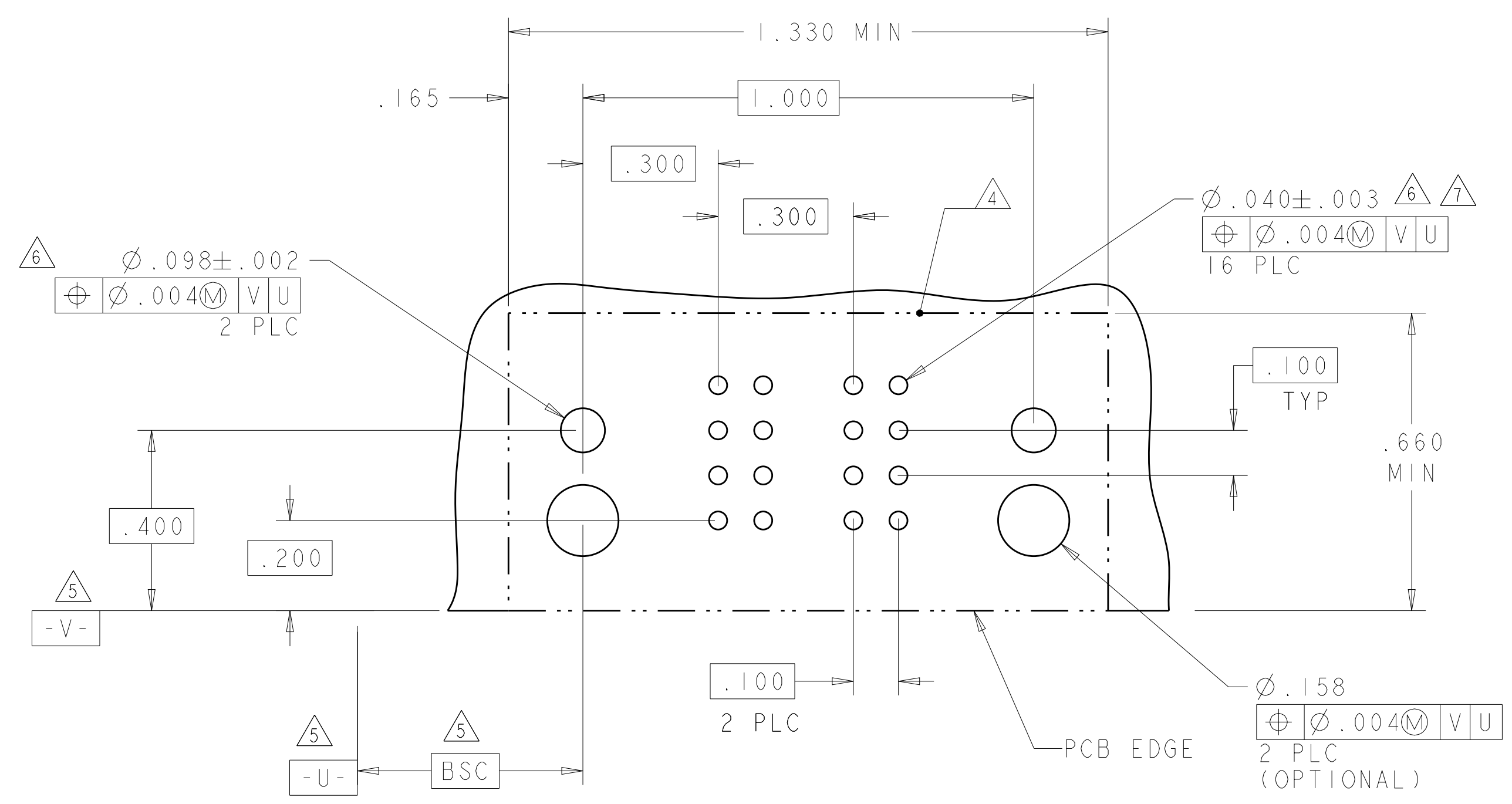
PART NUMBER	ROWS	POWER	
		P1	P2
1892109-3	D C B A	TM	TM
2ACP		HD	HD

PART NUMBER	ROWS	POWER	
		P1	P2
1892109-5	D C B A	PS	PS
2ACP		HD	HD

PART NUMBER	ROWS	POWER	
		P1	P2
1892109-6	D C B A	PS	PS
2ACP		HD	HD



PART NUMBER: 1892109-5



1892109-1 & 1892109-3 & 1892109-5 & 1892109-6 SHARE THE SAME PCB LAYOUT AS ABOVE

(C1)	PS	DUAL BEAM, L=.115
	TM	THREE BEAM, L=.115
CODE	DESCRIPTION	
	POWER CONTACT	

THIS DRAWING IS A CONTROLLED DOCUMENT.		OWN: CECILY.ZHOU 23MAR2006	TE Connectivity
DIMENSIONS: INCHES		CHK: SUNY_ZHAO 23MAR2006	
TOLERANCES UNLESS OTHERWISE SPECIFIED:		APVD: SUNY_ZHAO	NAME: RIGHT ANGLE HEADER ASSEMBLY W/ END LATCHES W/HIGH DURABILITY POWER CONTACT MULTI-BEAM XL
0 PLC ±.01		PRODUCT SPEC: 108-1973	SIZE: 114-13038
1 PLC ±.01		APPLICATION SPEC: 114-13038	RESTRICTED TO: A100779C=1892109
2 PLC ±.005		WEIGHT: -	SCALE: 4:1
3 PLC ±.002		CUSTOMER DRAWING	SHEET 2 OF 2
ANGLES ±.020			REV D2
FINISH: -			