



Chipsmall Limited consists of a professional team with an average of over 10 year of expertise in the distribution of electronic components. Based in Hongkong, we have already established firm and mutual-benefit business relationships with customers from,Europe,America and south Asia,supplying obsolete and hard-to-find components to meet their specific needs.

With the principle of "Quality Parts,Customers Priority,Honest Operation,and Considerate Service",our business mainly focus on the distribution of electronic components. Line cards we deal with include Microchip,ALPS,ROHM,Xilinx,Pulse,ON,Everlight and Freescale. Main products comprise IC,Modules,Potentiometer,IC Socket,Relay,Connector.Our parts cover such applications as commercial,industrial, and automotives areas.

We are looking forward to setting up business relationship with you and hope to provide you with the best service and solution. Let us make a better world for our industry!



## Contact us

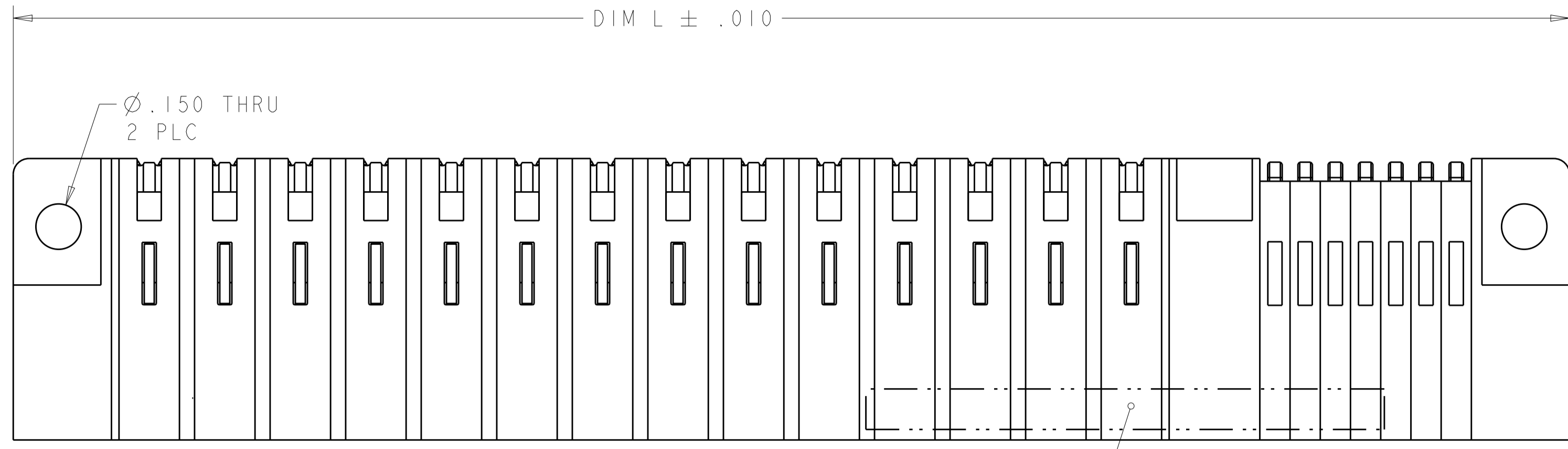
Tel: +86-755-8981 8866 Fax: +86-755-8427 6832

Email & Skype: info@chipsmall.com Web: www.chipsmall.com

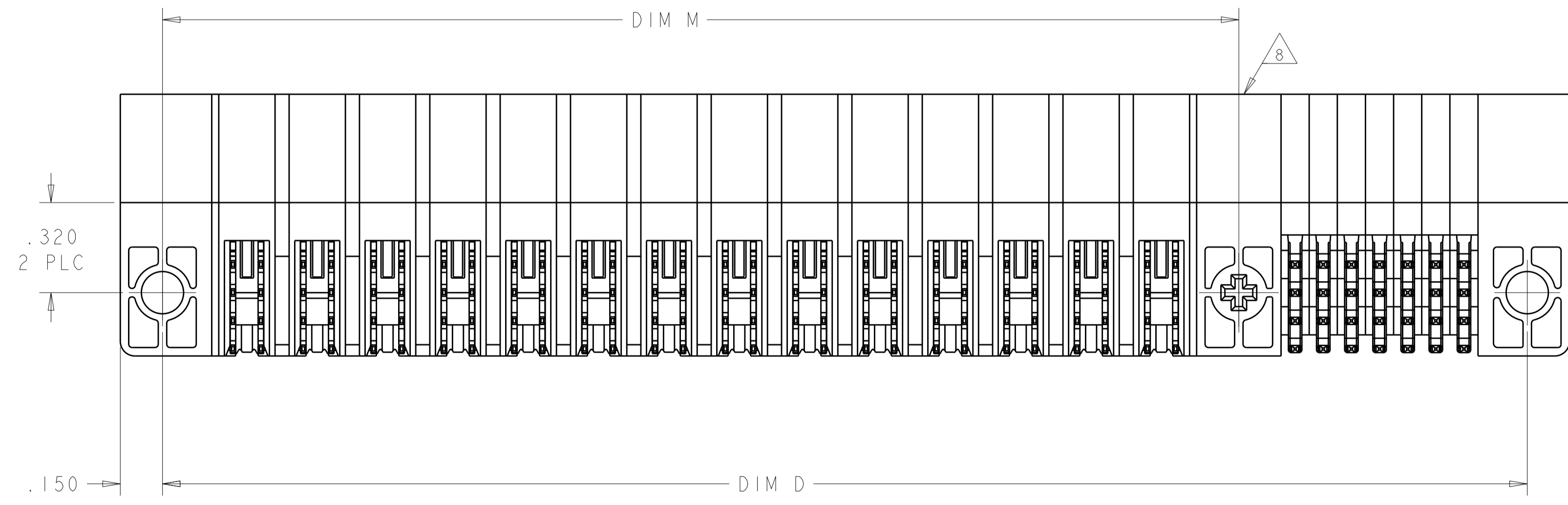
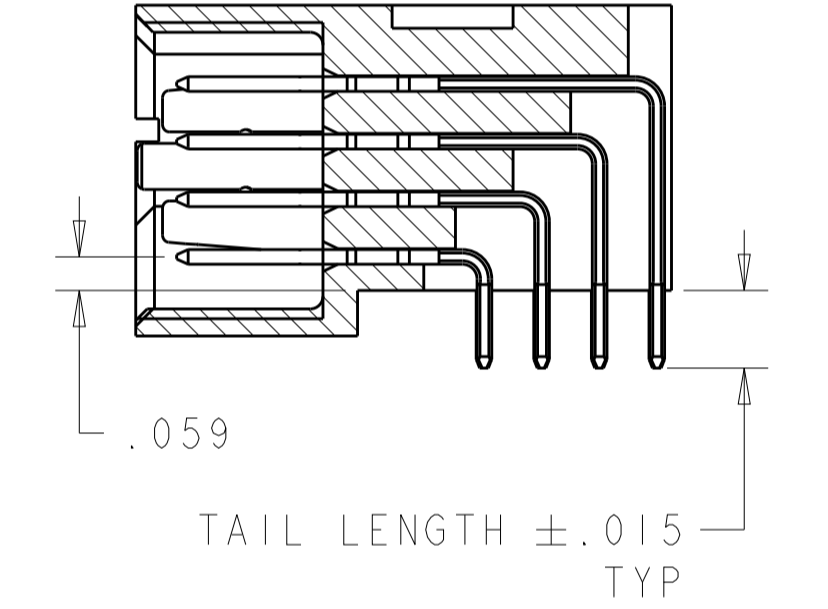
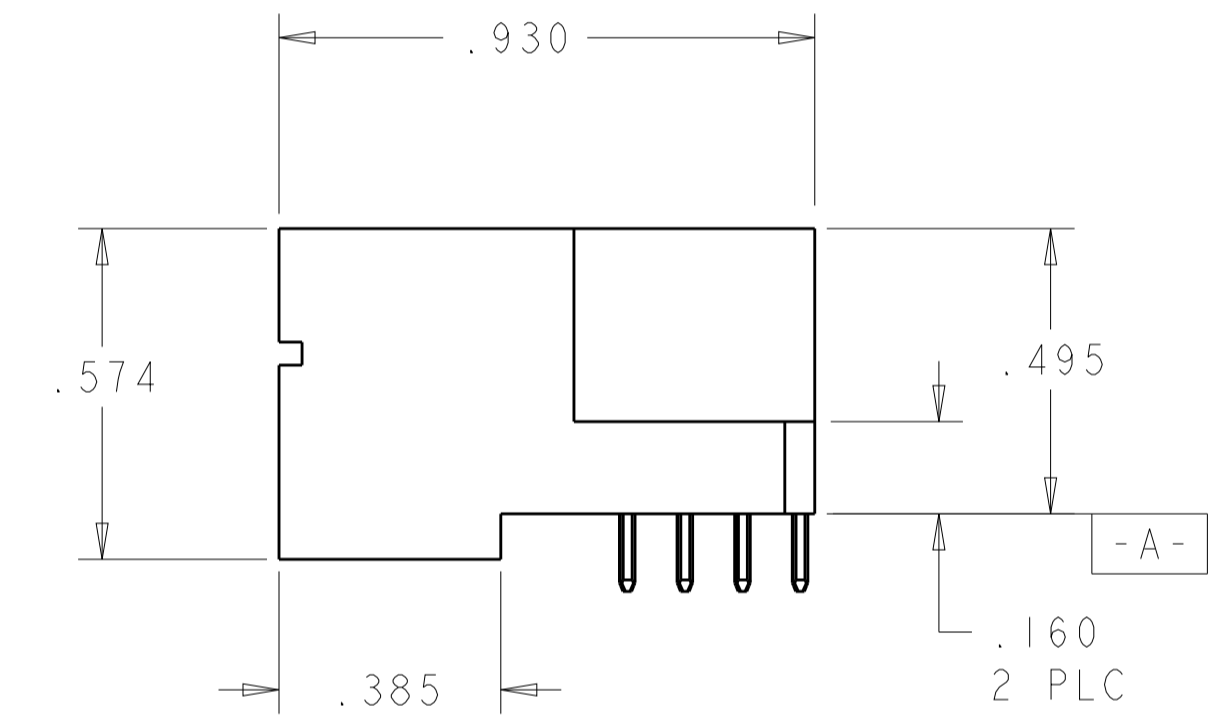
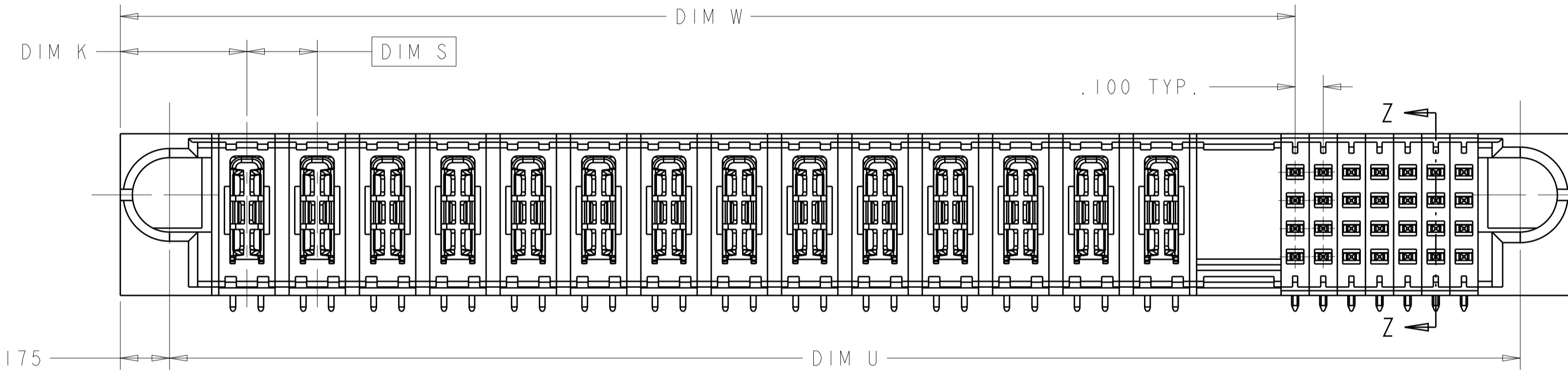
Address: A1208, Overseas Decoration Building, #122 Zhenhua RD., Futian, Shenzhen, China



LOC		DIST		REVISIONS			
ES	00	P	LTH	DESCRIPTION	DATE	DWN	APVD
		A4		REV PER ECR-11-006325	21MAR2011	1L	SZ
		A5		REV PER ECR-13-004638	20MAR2013	ML	SZ



- 1 "AMP", PART NUMBER, AND DATECODE TO BE MARKED IN AREA SHOWN.
- 2 MATERIAL: HOUSING - GLASS FILLED HIGH TEMP THERMO PLASTIC, UL94 V-0  
 SIGNAL CONTACT - COPPER ALLOY  
 POWER CONTACT - HIGH CONDUCTIVITY COPPER ALLOY
- 3 CONTACT PLATING: NOBLE METAL PLATING ON CONTACT FUNCTIONAL AREA OF POWER AND SIGNAL CONTACTS.
- 4 MECHANICAL CONNECTOR KEEP OUT ZONE.
- 5 DATUM AND BASIC DIMENSIONS ESTABLISHED BY CUSTOMER.
- 6 PCB - HOLE DIAMETERS ARE FINISHED HOLE SIZE.
- 7 PCB - .0453±.0010 DRILLED HOLES PLATED WITH .0003 MIN Sn OVER .001 TO .003 Cu PLATING TO ACHIEVE A .040 DIAMETER HOLE.
- 8 OPTIONAL CENTER MODULE
- 9 NOT RELEASED FOR PRODUCTION
- 10 VARIABLE DIMENSIONS SHOWN ON VIEW (SHEET 3 AND 4).



4.425	.200	2.200	4.475		4.775	.450	9P + 92S	1892222-9
6.075	.200	1.375	6.125	-	6.425	.375	36S + 24P	1892222-8
5.100	△	2.375	5.150	-	5.450	.450	8P + 112S	1892222-7
3.800	△	3.175	3.850	-	4.150	.450	12P + 28S	1892222-6
2.275	△	2.050	2.325	-	2.625	.450	5P + 24S	1892222-5
4.500	.250	3.875	4.550	-	4.850	.450	14P + 28S	1892222-4
3.875	△	3.550	3.925	-	4.225	.475	3ACP + 9P + 16S	1892222-3
3.875	△	3.550	3.925	-	4.225	.475	3ACP + 9P + 16S	1892222-2
3.875	△	3.550	3.925	-	4.225	.475	3ACP + 9P + 16S	1892222-1
DIM U	DIM S	DIM W	DIM D	DIM M	DIM L	DIM K	DESCRIPTION	PART NUMBER

100% INSPECTION TO STANDARD TOLERANCES UNLESS OTHERWISE SPECIFIED. TOLERANCES UNLESS OTHERWISE SPECIFIED:

DIMENSIONS:	TOLERANCES UNLESS OTHERWISE SPECIFIED:
INCHES	0 PLC ±.01
	1 PLC ±.01
	2 PLC ±.01
	3 PLC ±.005
	4 PLC ±.002
	ANGLES ±.020

MATERIAL: △2 FINISH: △3

APVD: Alex Shaoi, Zhao Suny, Siqian Yao

DATE: SEP01'06

NAME: RIGHT ANGLE SOLDER HEADER ASSEMBLY MULTI-BEAM XL USING MBXLE CONTACTS

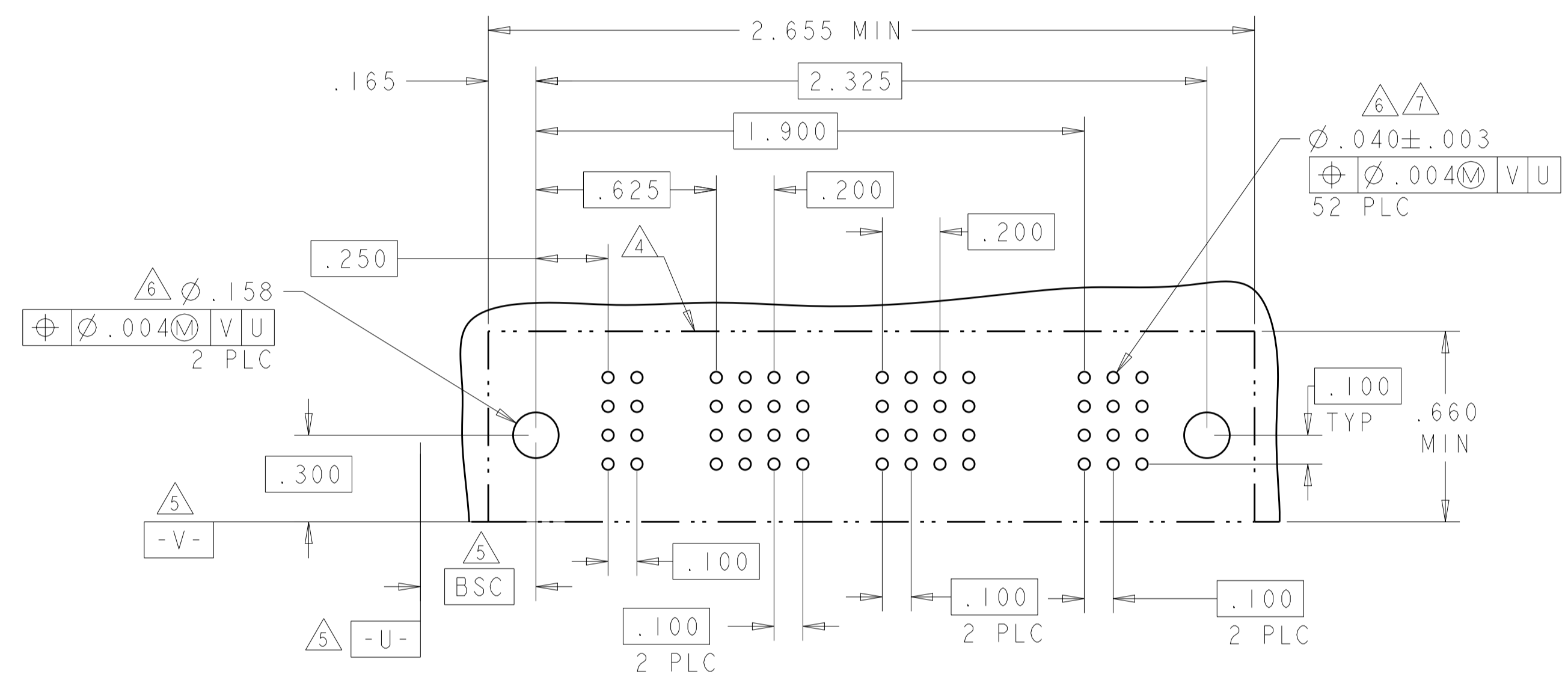
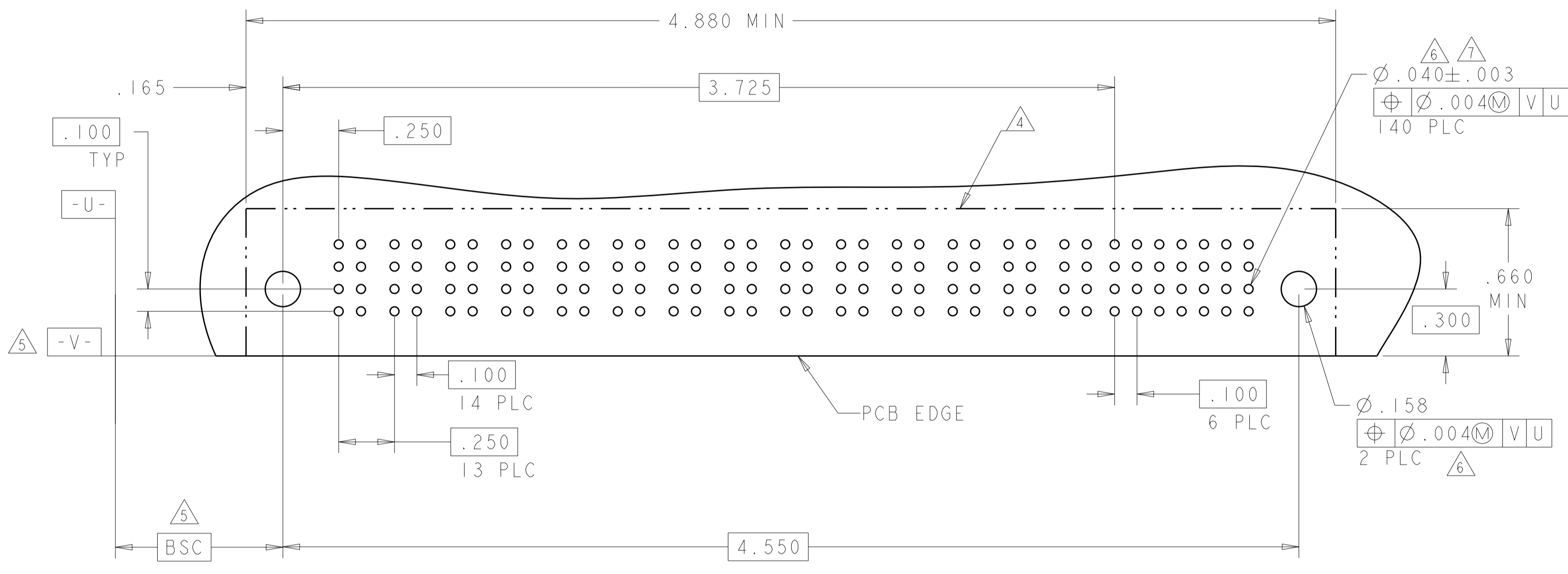
SIZE: A1 CAGE CODE: 00779 DRAWING NO: 108-1973

SCALE: 4:1 SHEET 1 OF 6 REV A5

LOC	DIST	REV	DATE	BY	APPV
ES	00				

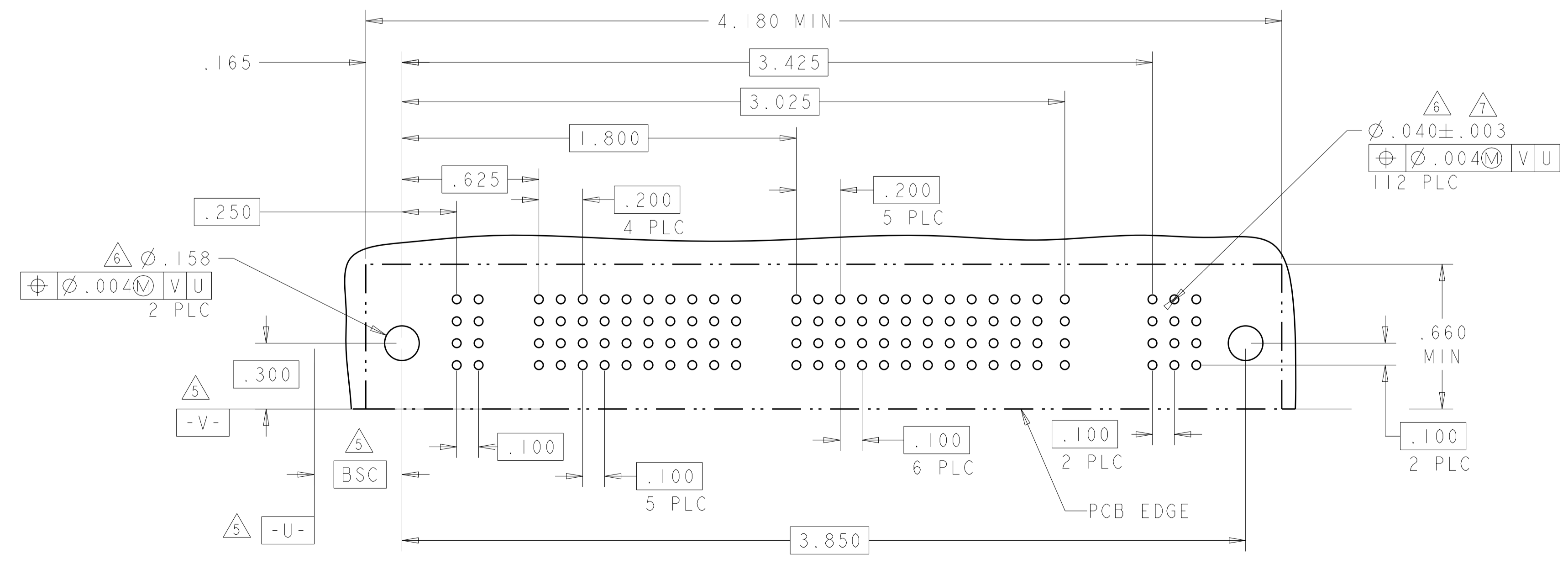
ASSY PART NUMBER	ROWS	POWER														SIGNAL						
		P1	P2	P3	P4	P5	P6	P7	P8	P9	P10	P11	P12	P13	P14	1	2	3	4	5	6	7
1892222-4	D C B A	TM	TM	TM	TM	TM	TM	TM	TM	TM	TM	TM	TM	TM	TM	E	E	E	E	E	E	E
14P + 28S																F	F	F	F	F	F	F
																G	G	G	G	G	G	G
																S	S	S	S	S	S	S

PART NUMBER	ROWS	POWER					SIGNAL					
		P1	P2	P3	P4	P5	1	2	3	4	5	6
1892222-5	D C B A	TM	TM	TM	TM	TM	J	J	J	J	J	J
5P + 24S							K	K	K	K	K	K
							N	N	N	N	N	N
							S	S	S	S	S	S



PART NUMBER	ROWS	POWER												SIGNAL						
		P1	P2	P3	P4	P5	P6	P7	P8	P9	P10	P11	P12	1	2	3	4	5	6	7
1892222-6	D C B A	TM	TM	TM	TM	TM	TM	TM	TM	TM	TM	TM	TM	J	J	J	J	J	J	J
12P + 28S														K	K	K	K	K	K	K
														N	N	N	N	N	N	N
														S	S	S	S	S	S	S

Z	STD	.090	D
Y	STD	.090	C
R	STD	.090	B
O	STD	.090	A
A4	MLBF	.090	D
A3	MLBF	.090	C
A2	MLBF	.090	B
A1	MLBF	.090	A
E	MLBF	.135	D
F	MLBF	.135	C
G	MLBF	.135	B
H	MLBF	.135	A
J	STD	.135	D
K	STD	.135	C
N	STD	.135	B
S	STD	.135	A
CODE	MATING SEQUENCE	TAIL LENGTH	ROW
POWER CONTACT		SIGNAL CONTACT	



TM	.135
CODE	TAIL LENGTH
POWER CONTACT	

DIMENSIONS: INCHES 		TOLERANCES UNLESS OTHERWISE SPECIFIED: 0 PLC ±. 1 PLC ±.01 2 PLC ±.01 3 PLC ±.005 4 PLC ±.002 ANGLES ±.020		DWN Alex Shogal SEP01'06 CHK Zhao Suny SEP01'06 APVD Steven Yao SEP01'06 PRODUCT SPEC 108-1973 APPLICATION SPEC 114-13038 WEIGHT MATERIAL FINISH		Tyco Electronics Shanghai R.P.C. 200233 NAME RIGHT ANGLE SOLDER HEADER ASSEMBLY MULTI-BEAM XL USING MBXLE CONTACTS SIZE CAGE CODE DRAWING NO. RESTRICTED TO A11 00779 C=1892222 CUSTOMER DRAWING SCALE 4:1 SHEET 2 OF 6 REV A5	
---------------------------	--	--	--	---	--	---	--









