



Chipsmall Limited consists of a professional team with an average of over 10 year of expertise in the distribution of electronic components. Based in Hongkong, we have already established firm and mutual-benefit business relationships with customers from,Europe,America and south Asia,supplying obsolete and hard-to-find components to meet their specific needs.

With the principle of "Quality Parts,Customers Priority,Honest Operation,and Considerate Service",our business mainly focus on the distribution of electronic components. Line cards we deal with include Microchip,ALPS,ROHM,Xilinx,Pulse,ON,Everlight and Freescale. Main products comprise IC,Modules,Potentiometer,IC Socket,Relay,Connector.Our parts cover such applications as commercial,industrial, and automotives areas.

We are looking forward to setting up business relationship with you and hope to provide you with the best service and solution. Let us make a better world for our industry!



## Contact us

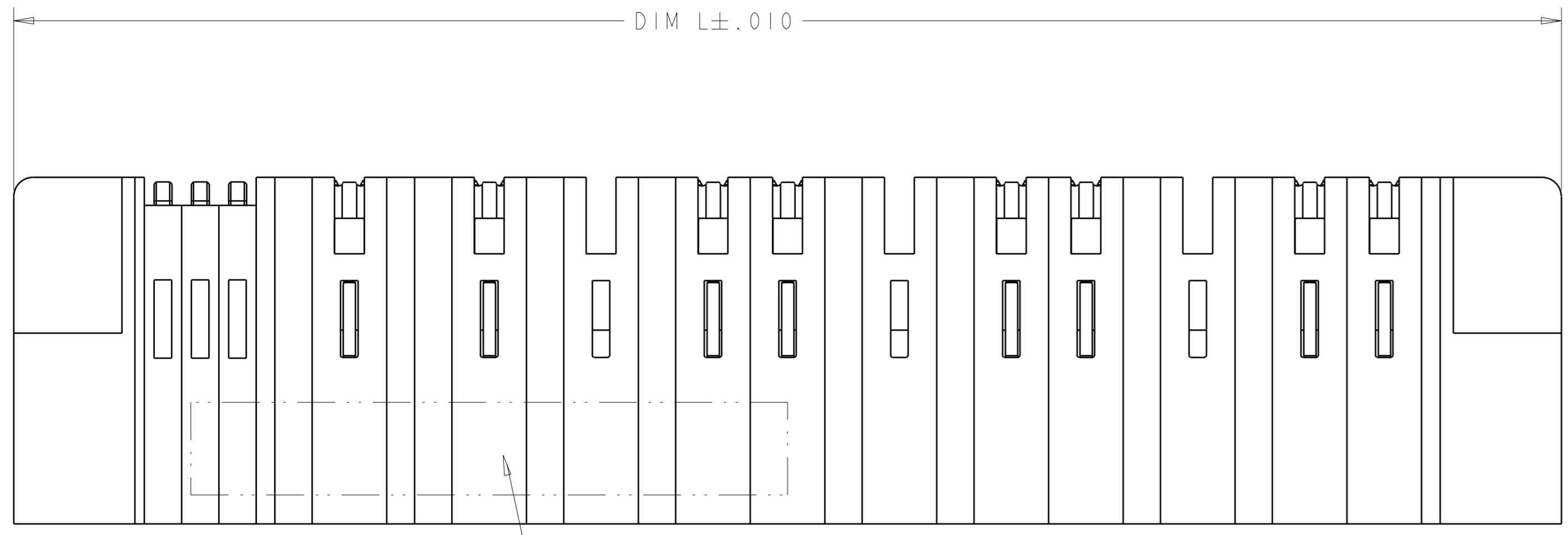
Tel: +86-755-8981 8866 Fax: +86-755-8427 6832

Email & Skype: info@chipsmall.com Web: www.chipsmall.com

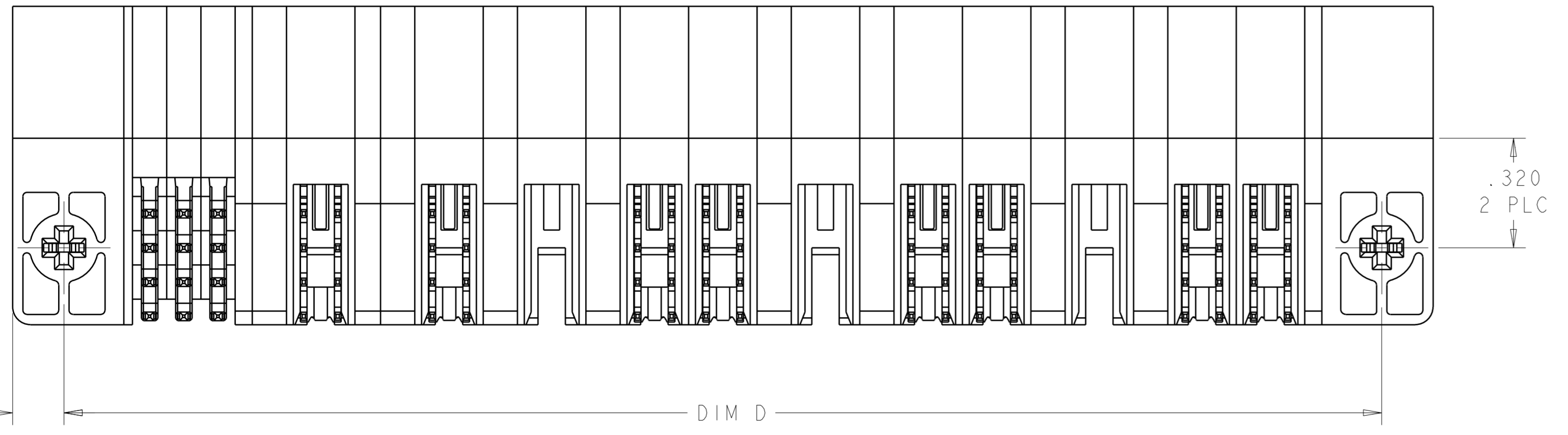
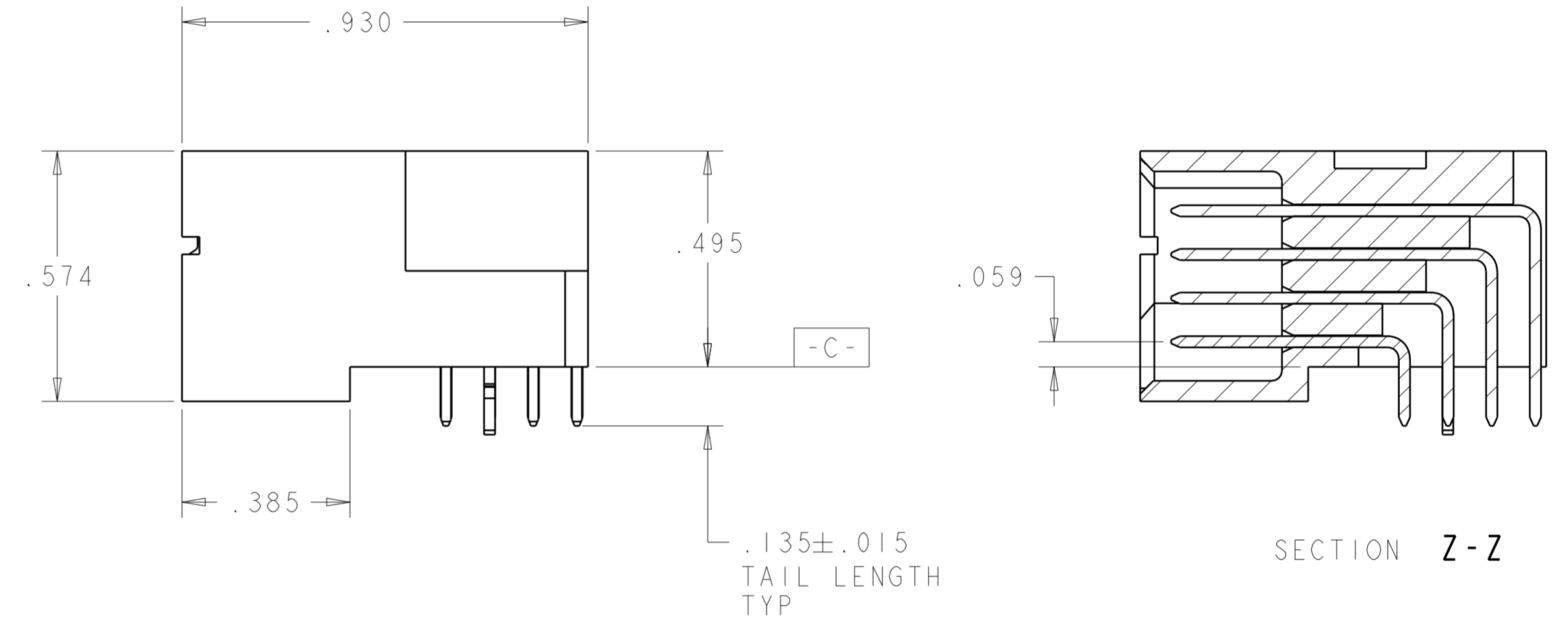
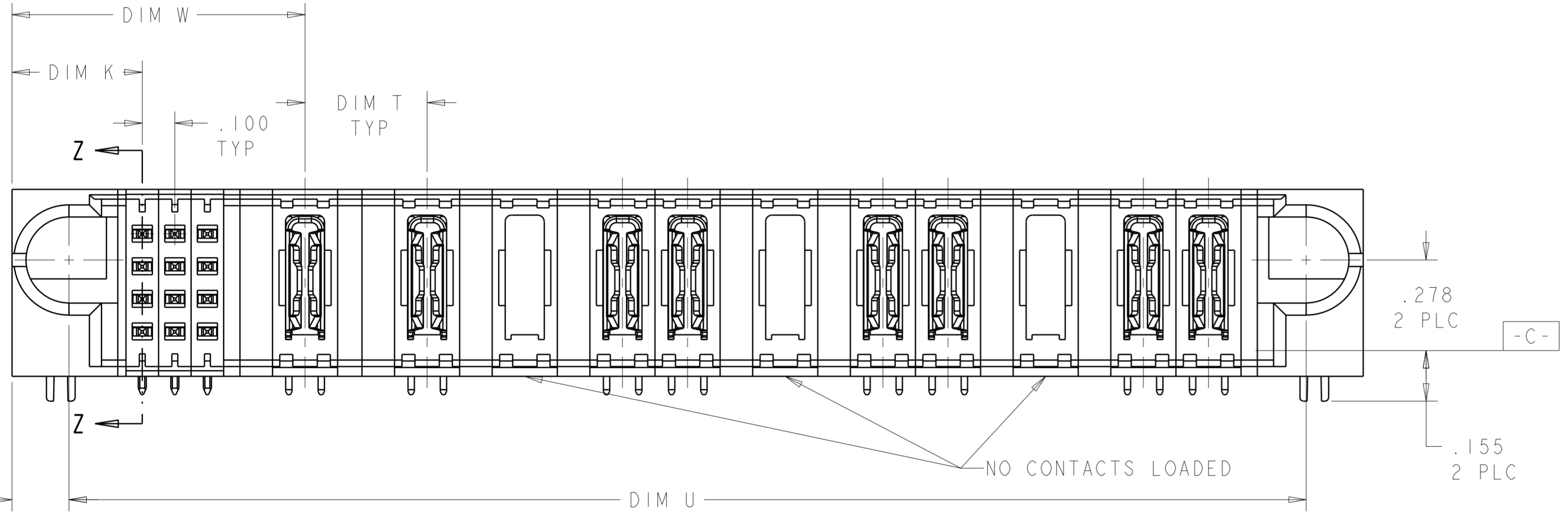
Address: A1208, Overseas Decoration Building, #122 Zhenhua RD., Futian, Shenzhen, China



LOC	DIST	REVISIONS			
ES	00	REV	DATE	BY	CHKD
		A	09MAY2007	CZ	SY



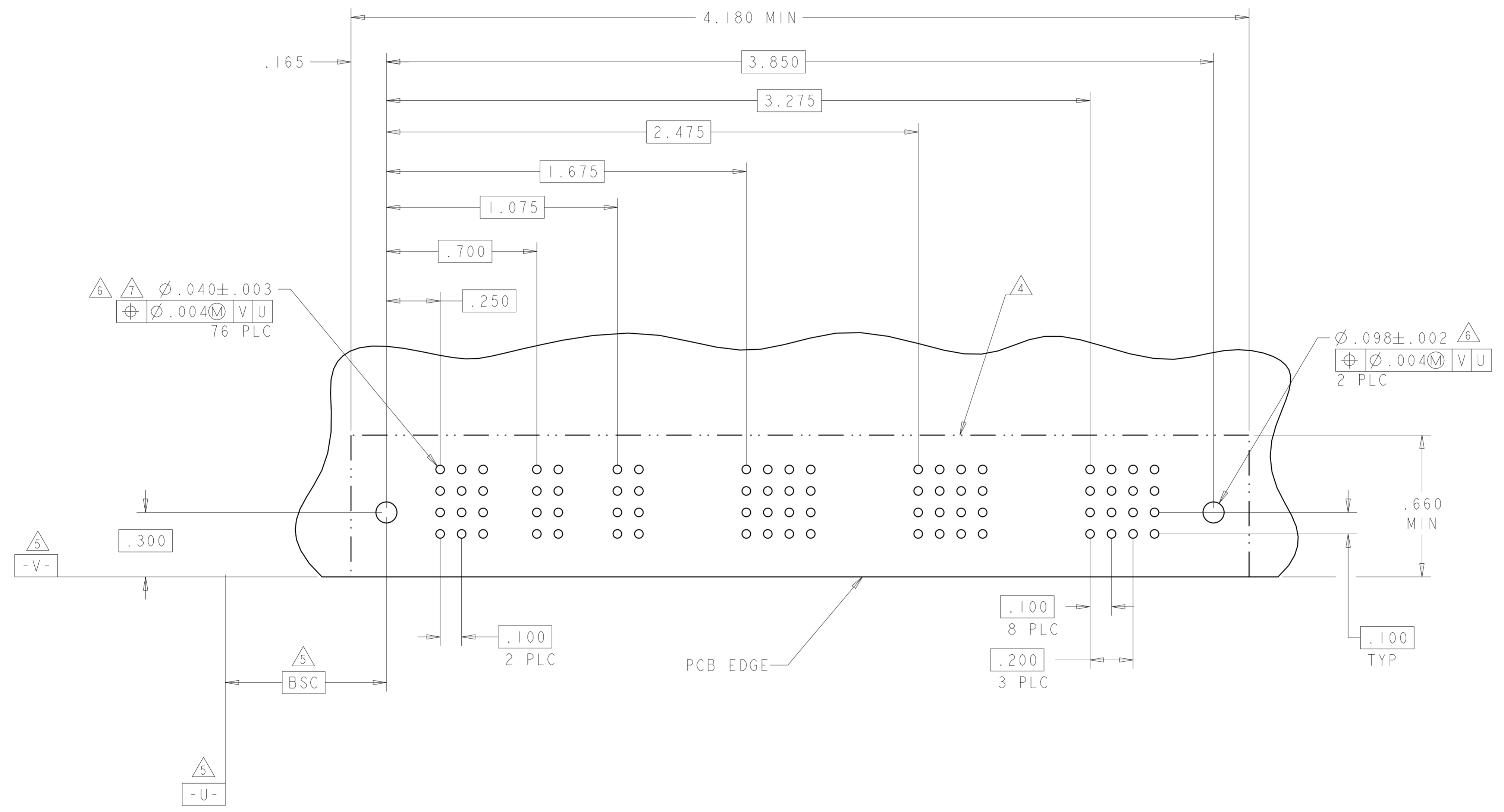
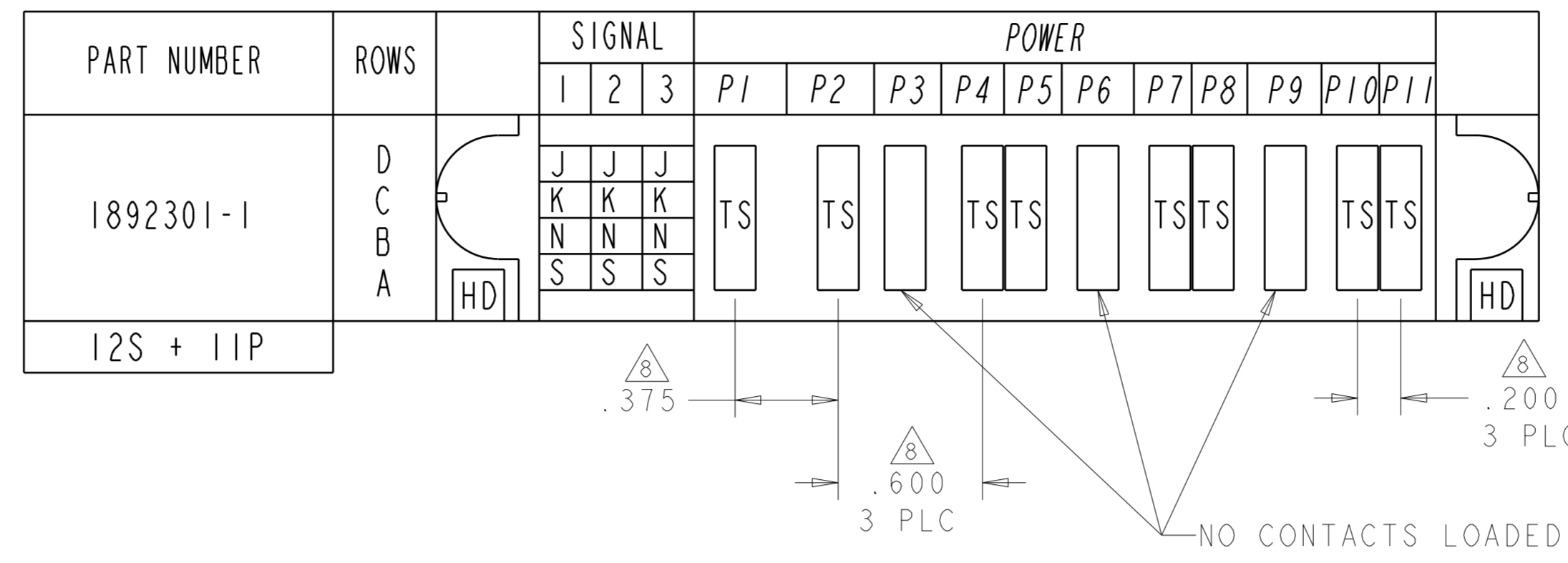
- 1 PART NUMBER, AND DATE CODE MARKED IN AREA SHOWN.
- 2 MATERIAL:  
HOUSING - GLASS FILLED HIGH TEMP THERMO PLASTIC, UL94 V-0  
SIGNAL CONTACT - COPPER ALLOY  
POWER CONTACT - HIGH CONDUCTIVITY COPPER ALLOY
- 3 CONTACT PLATING:  
SIGNAL CONTACTS - .000050 MIN Ni UNDER ALL.  
.000030 MIN Au ON CONTACT AREA.  
.000100 MIN Sn AT PCB INTERFACE.  
POWER CONTACTS - .000050 MIN Ni UNDER ALL.  
.000030 MIN Au ON CONTACT AREA.  
.000100 MIN Sn AT PCB INTERFACE.
- 4 MECHANICAL CONNECTOR KEEP OUT ZONE.
- 5 DATUM AND BASIC DIMENSIONS ESTABLISHED BY CUSTOMER.
- 6 PCB - ALL HOLE DIAMETERS ARE FINISHED HOLE SIZES.
- 7 PCB - .0453±.0010 DRILLED HOLES PLATED WITH .0003 MIN Sn OVER .001 TO .003 Cu PLATING TO ACHIEVE A .040 HOLE.
- 8 VARIABLE DIMENSION SHOW ON (SHEET 2).



-8	3.850	3.800	.900	.400	4.150	12S + 11P	1892301-1
DIM T	DIM D	DIM U	DIM W	DIM K	DIM L	DESCRIPTION	PART NUMBER

DIMENSIONS:		TOLERANCES UNLESS OTHERWISE SPECIFIED:		DWN: C.ZHOU 09MAY2007		APVD: S.YAO	
INCHES		0 PLC ±.01		CHK: S.YAO 09MAY2007		NAME: S.YAO	
1 PLC ±.01		1 PLC ±.01		PRODUCT SPEC: 108-1973		TYCO ELECTRONICS	
2 PLC ±.005		2 PLC ±.005		APPLICATION SPEC: 114-13038		Tyco Electronics Incorporated	
3 PLC ±.0020		3 PLC ±.0020		SIZE: A		Shanghai, P.R.China, 200233	
4 PLC ±.0020		4 PLC ±.0020		WEIGHT: -		RESTRICTED TO: -	
ANGLES: ±30°		FINISH: 3		CUSTOMER DRAWING		SCALE: 4:1	
				SHEET 1 OF 2		REV A	

LOC	DIST	REVISIONS					
ES	00	PT	LTR	DESCRIPTION	DATE	DWN	APVD
				SEE SHEET 1			



ROW	DESCRIPTION	CODE
D	SIGNAL CONTACT, STD	J
C	SIGNAL CONTACT, STD	K
B	SIGNAL CONTACT, STD	N
A	SIGNAL CONTACT, STD	S
-	POWER CONTACT, DUAL BEAM	TS

THIS DRAWING IS A CONTROLLED DOCUMENT FOR TYCO ELECTRONICS CORPORATION. IT IS SUBJECT TO CHANGE AND THE CONTROLLING ENGINEERING DEPARTMENT SHOULD BE CONTACTED FOR THE LATEST REVISION.		DWN: C. ZHOU 09MAY2007 CHK: S. YAO 09MAY2007	NAME: S. YAO PRODUCT SPEC: 108-1973 APPLICATION SPEC: 114-13038	Tyco Electronics Incorporated Shanghai, P.R. China, 200233
DIMENSIONS: INCHES 	TOLERANCES, UNLESS OTHERWISE SPECIFIED: 0 PLC ± 1 PLC ±.01 2 PLC ±.015 3 PLC ±.020 4 PLC ±.025 ANGLES ±.020	MATERIAL: - FINISH: -	SIZE: A   00779   C=1892301 WEIGHT: - RESTRICTED TO: -	SCALE: 4:1 SHEET: 2 OF 2 REV: A