



Chipsmall Limited consists of a professional team with an average of over 10 year of expertise in the distribution of electronic components. Based in Hongkong, we have already established firm and mutual-benefit business relationships with customers from,Europe,America and south Asia,supplying obsolete and hard-to-find components to meet their specific needs.

With the principle of “Quality Parts,Customers Priority,Honest Operation,and Considerate Service”,our business mainly focus on the distribution of electronic components. Line cards we deal with include Microchip,ALPS,ROHM,Xilinx,Pulse,ON,Everlight and Freescale. Main products comprise IC,Modules,Potentiometer,IC Socket,Relay,Connector.Our parts cover such applications as commercial,industrial, and automotives areas.

We are looking forward to setting up business relationship with you and hope to provide you with the best service and solution. Let us make a better world for our industry!



Contact us

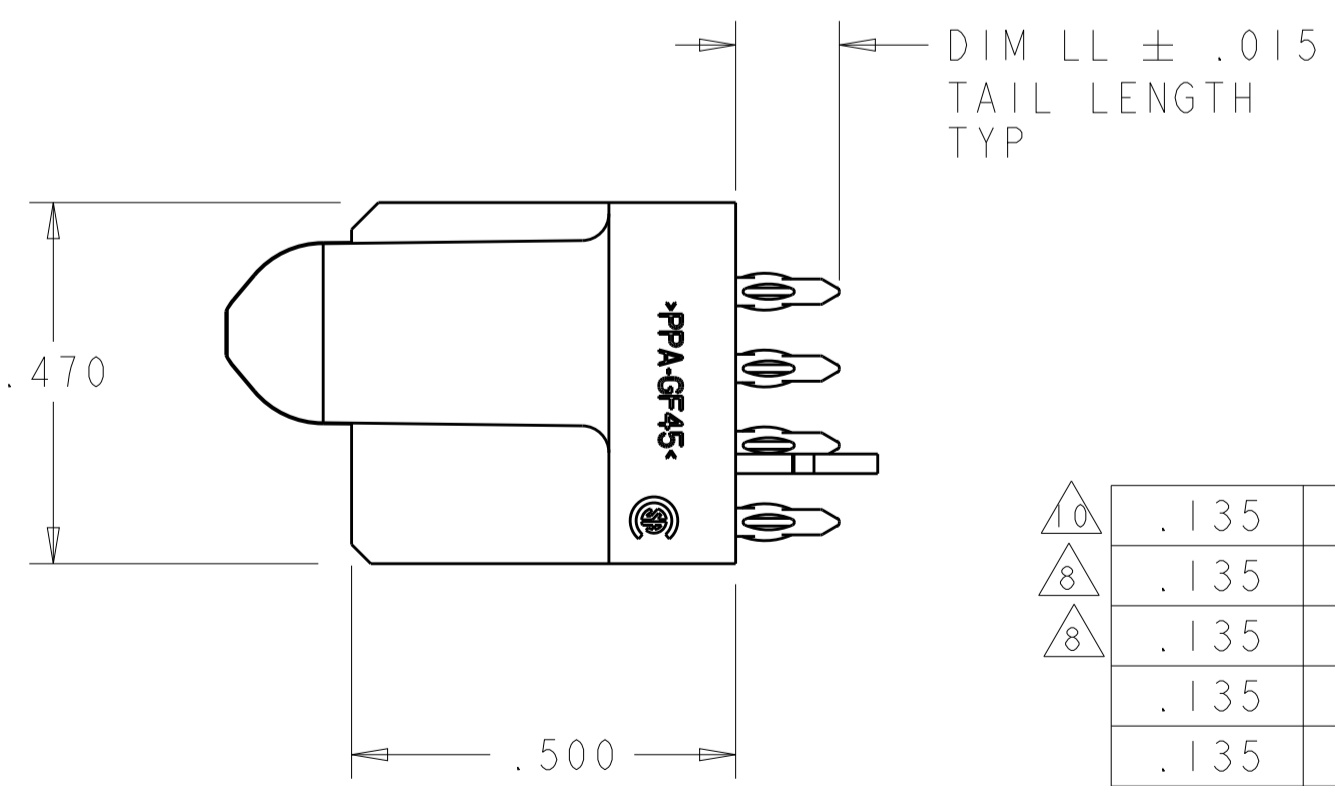
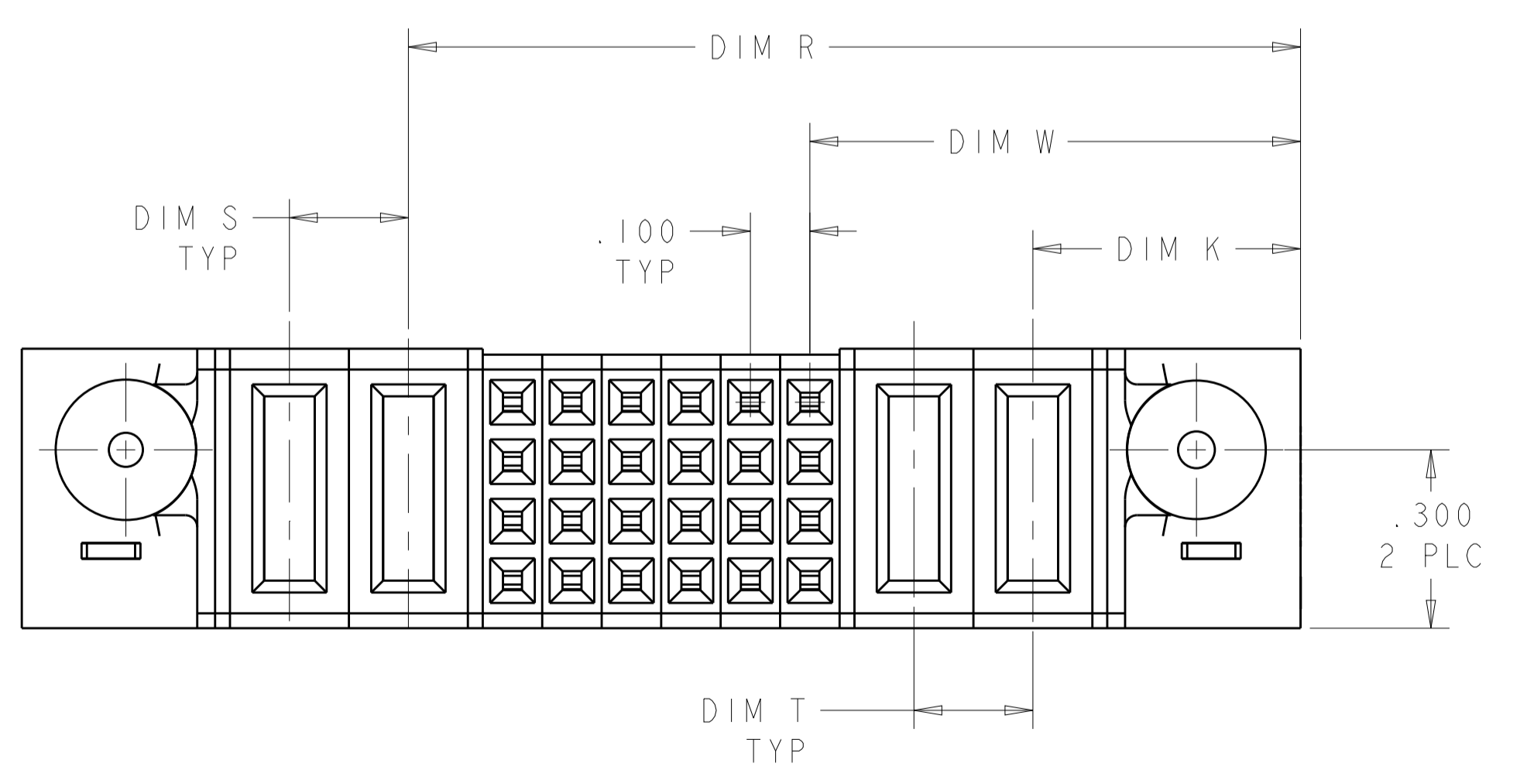
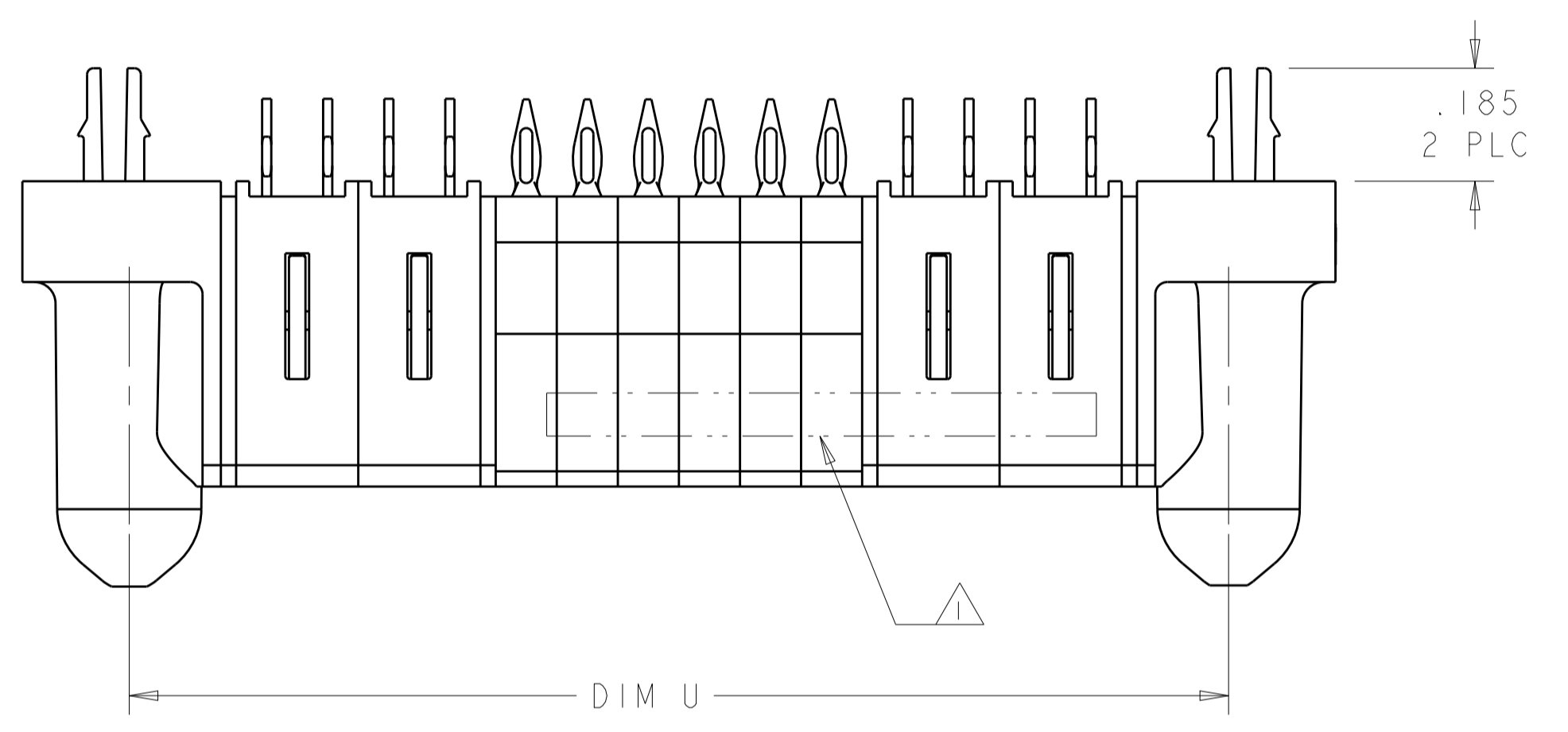
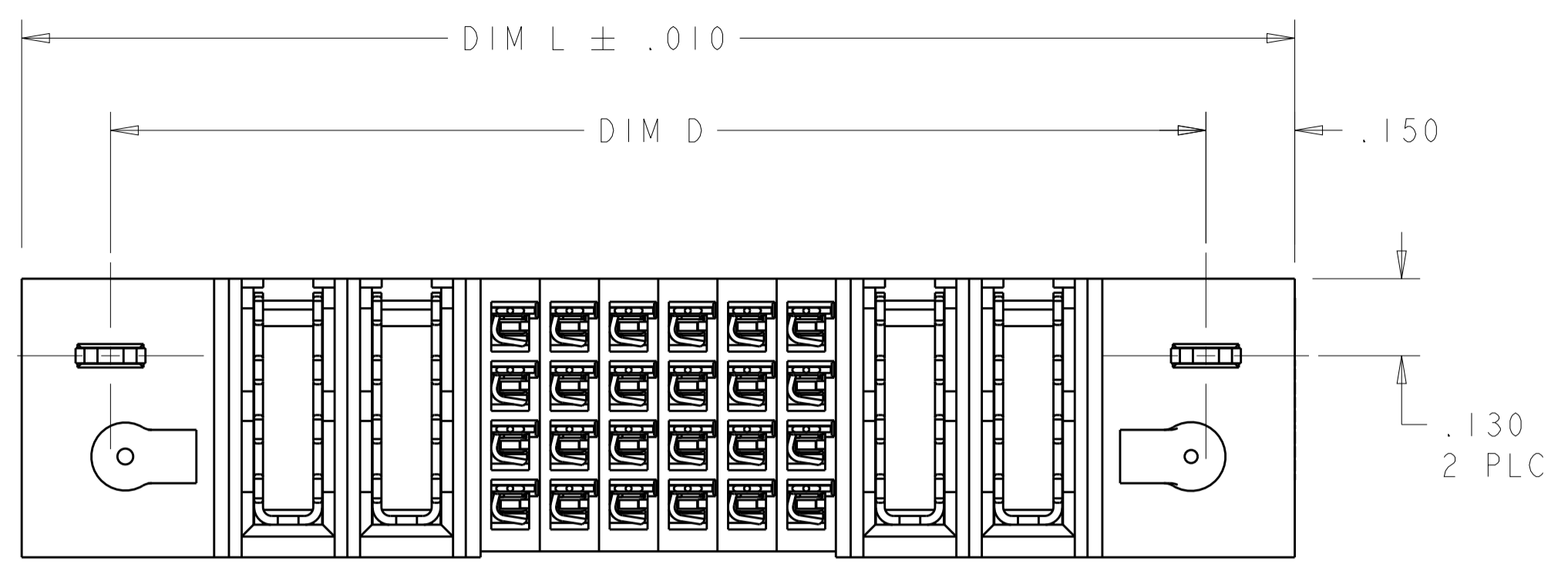
Tel: +86-755-8981 8866 Fax: +86-755-8427 6832

Email & Skype: info@chipsmall.com Web: www.chipsmall.com

Address: A1208, Overseas Decoration Building, #122 Zhenhua RD., Futian, Shenzhen, China



LOC		DIST		REVISIONS			
ES	00	P	LTN	DESCRIPTION	DATE	DWN	APVD
		D4		REV PER ECR-13-004638	20MAR2013	ML	SZ



- ⚠ PART NUMBER, AND DATE CODE MARKED IN AREA SHOWN.
- ⚠ MATERIAL:
 HOUSING - GLASS FILLED HIGH TEMP THERMO PLASTIC, UL94 V-0
 SIGNAL CONTACT - COPPER ALLOY
 POWER CONTACT - HIGH CONDUCTIVITY COPPER ALLOY
- ⚠ CONTACT PLATING: NOBLE METAL PLATING ON CONTACT FUNCTIONAL AREA OF SIGNAL AND POWER CONTACTS.
- ⚠ MECHANICAL CONNECTOR KEEP OUT ZONE.
- ⚠ DATUM AND BASIC DIMENSIONS ESTABLISHED BY CUSTOMER.
- ⚠ PCB - ALL HOLE DIAMETERS ARE FINISHED HOLE SIZES.
- ⚠ PCB - .0453±.0010 DRILLED HOLES PLATED WITH .0003 MIN Sn OVER .001 TO .003 Cu PLATING TO ACHIEVE A .040 HOLE.
- ⚠ NOT RELEASED FOR PRODUCTION.
- ⚠ POWER CONTACT AREA LUBRICATED WITH LUBRICANT.
- ⚠ THE SPECIAL DIMENSION ONLY FOR 1892430-6 (SEE SHEET 2)

⚠	.135	.200	4.725	4.175	.200	2.025	7.600	7.650	7.950	64S+11HDP+20S+15HDP	1892430-6
⚠	.135	.250	1.550	.875	.250	.450	1.900	1.950	2.250	2P + 24S + 2P	1892430-5
⚠	.135	.250	2.550	1.875	.250	.450	3.900	3.950	4.250	6P + 24S + 6P	1892430-4
	.135	.250	1.950	1.275	.300	.475	3.050	-	3.400	3ACP + 24S + 5P	1892430-3
	.135	-	1.425	.700	-	.475	1.575	-	1.925	1P + 24S + 1P	1892430-2
	.135	.200	1.500	.825	.200	.450	1.800	1.850	2.150	2HDP + 24S + 2HDP	1892430-1
	DIM LL	DIM S	DIM R	DIM W	DIM T	DIM K	DIM U	DIM D	DIM L	DESCRIPTION	PART NUMBER

THIS DRAWING IS A CONTROLLED DOCUMENT. DWN: C. ZHOU 11OCT2006
 CHK: SUNY ZHAO 10OCT2006
 APVD: S. YAO

DIMENSIONS: INCHES
 TOLERANCES UNLESS OTHERWISE SPECIFIED:
 0 PLC ±.
 2 PLC ±.01
 3 PLC ±.005
 4 PLC ±.0020
 ANGLES 40°±30°

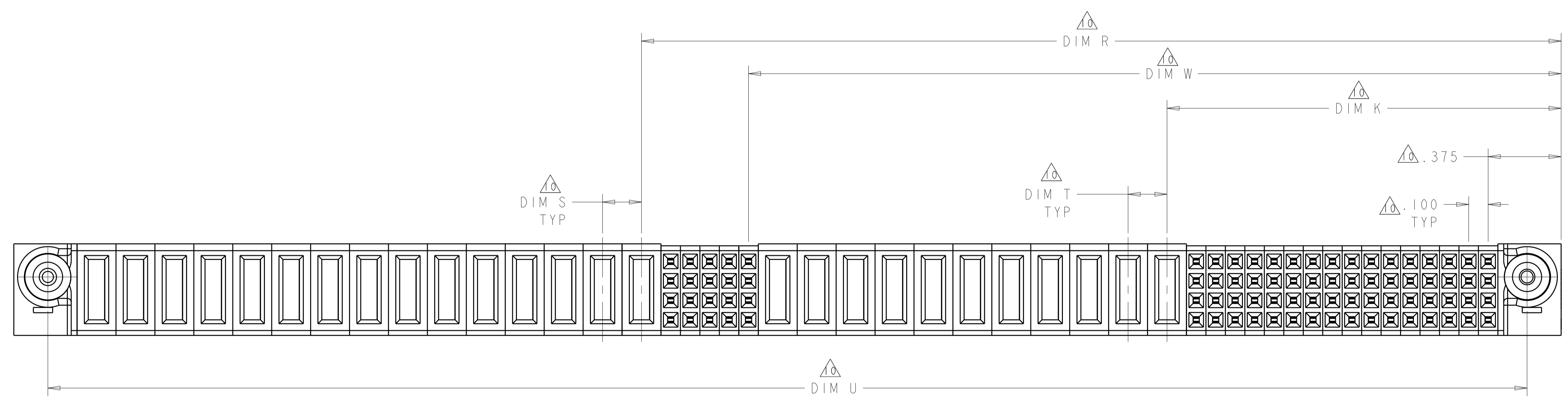
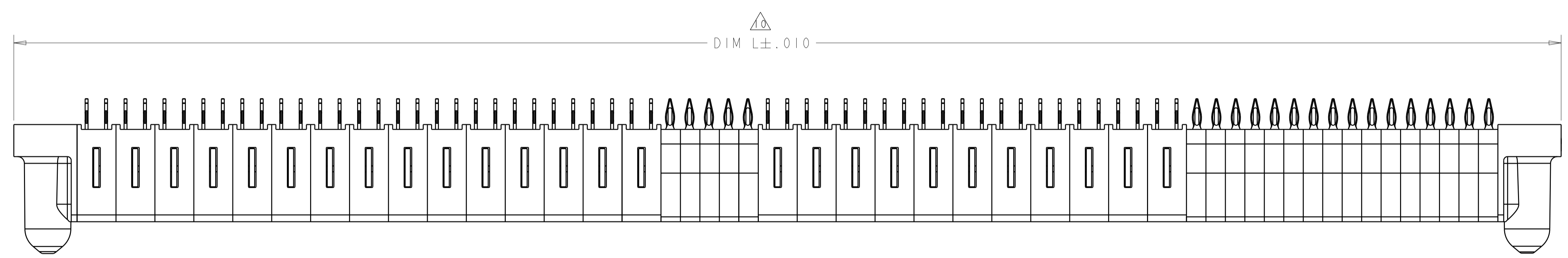
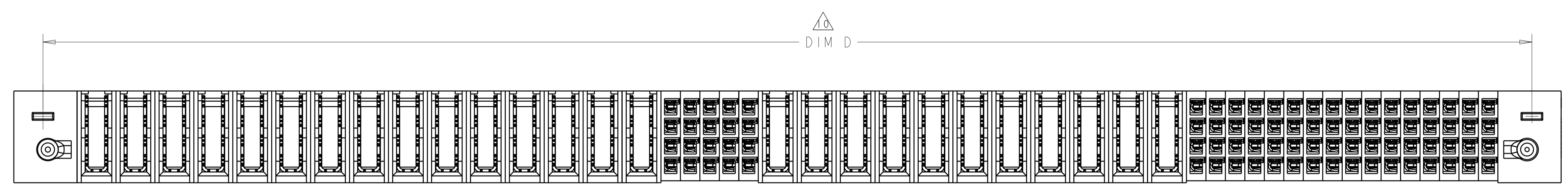
MATERIAL: 2
 FINISH: 3, 4

Customer Drawing

SCALE 4:1 SHEET 1 OF 5 REV D4

TE Connectivity
 NAME: VERTICAL RECEPTACLE ASSEMBLY PRESS FIT, W/GUIDES MULTI-BEAM XL
 PRODUCT SPEC: 108-1973
 APPLICATION SPEC: 114-13038
 SIZE: A100779
 CAGE CODE: 1892430
 DRAWING NO: 1892430-6

LOC	DIST	REVISIONS					
ES	00	P	LTN	DESCRIPTION	DATE	DWN	APVD
-	-	-	-	SEE SHEET 1	-	-	-



PART NUMBER 1892430-6
 UNSPECIFIED DIMENSION REFER TO SHEET 1

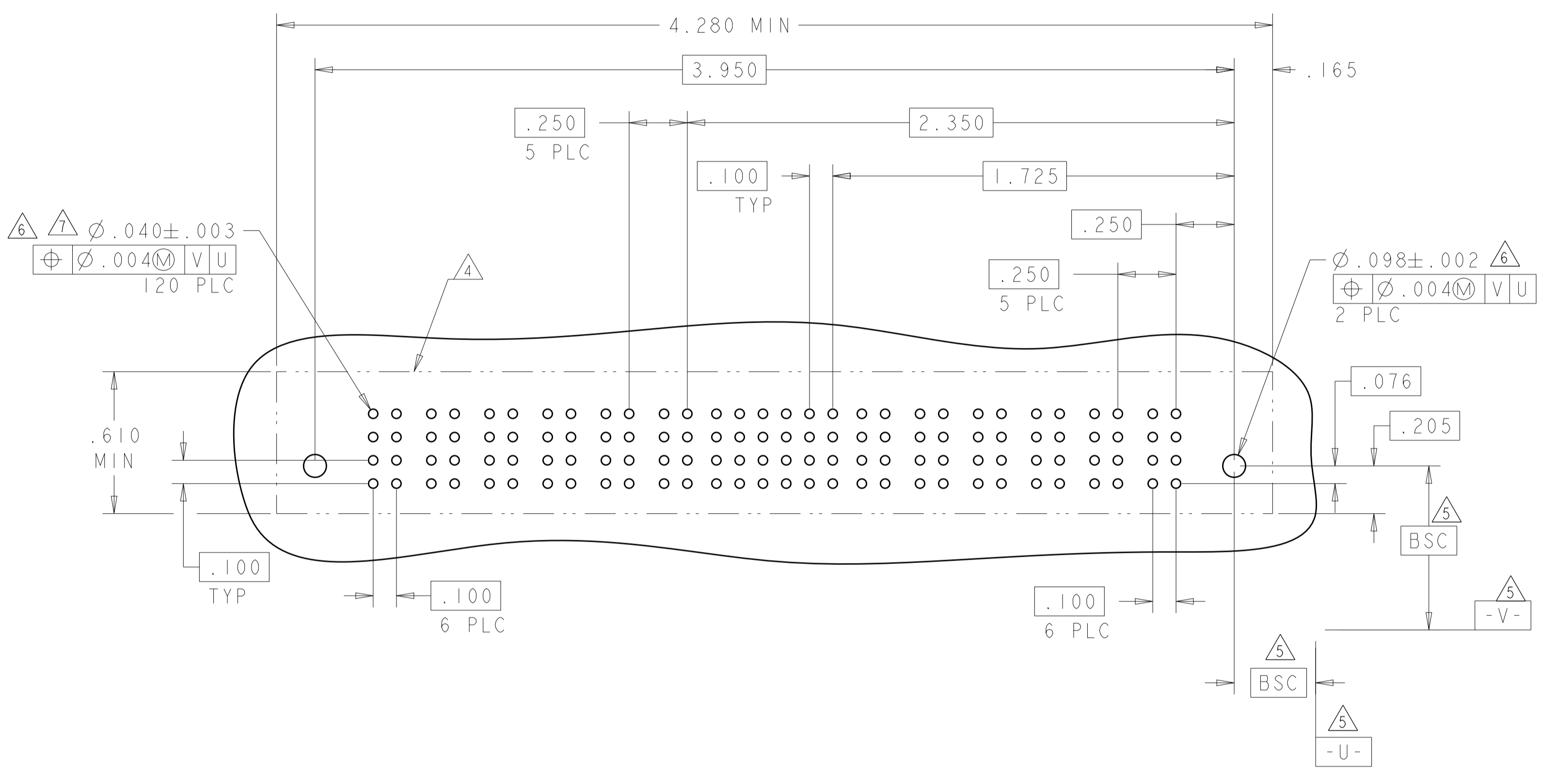
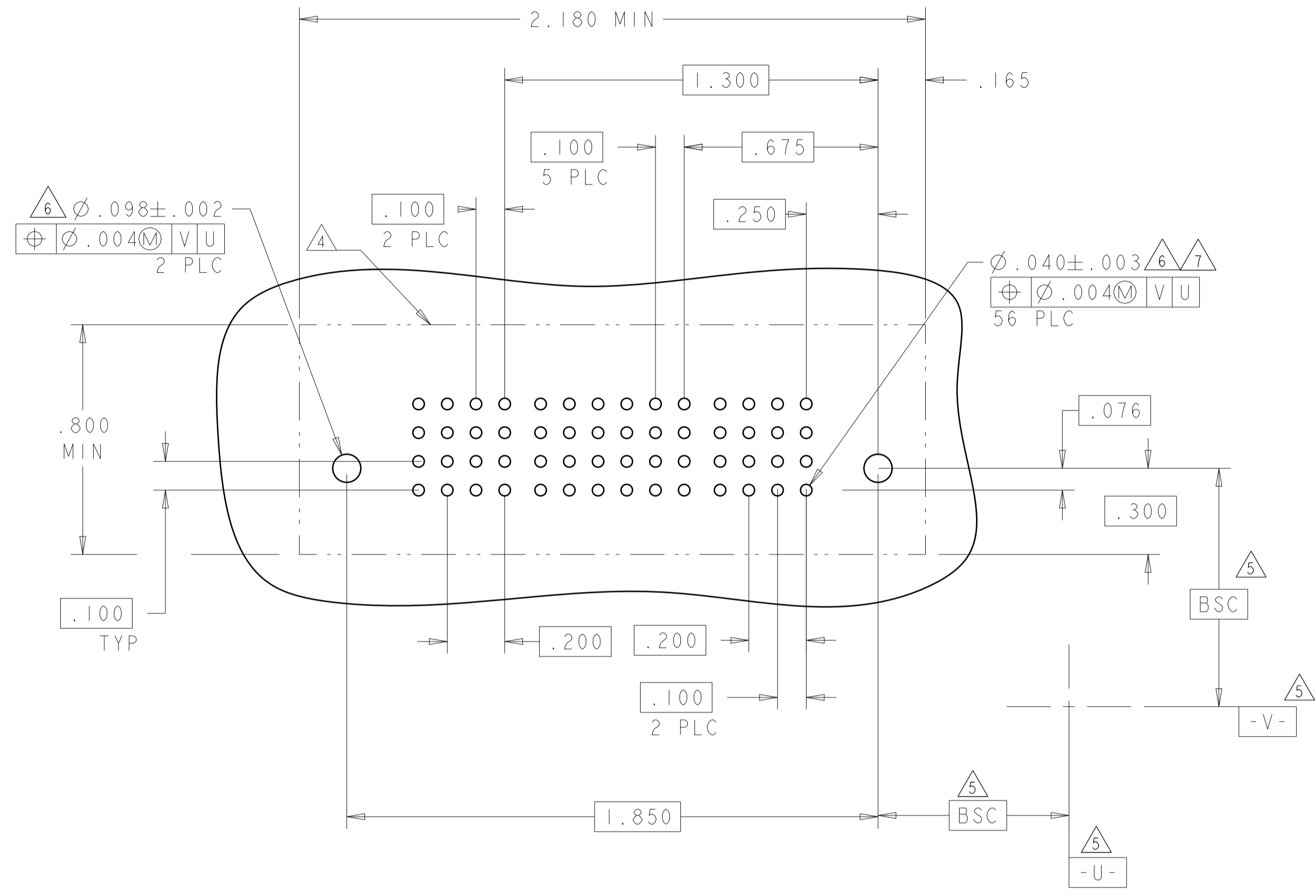
THIS DRAWING IS A CONTROLLED DOCUMENT.		DWN C. ZHOU CHK SUNY ZHAO APVD S. YAO	11OCT2006 10OCT2006	STE TE Connectivity
DIMENSIONS: INCHES		NAME PRODUCT SPEC 108-1973 APPLICATION SPEC 114-13038		
TOLERANCES UNLESS OTHERWISE SPECIFIED: 0 PLC ±. 2 PLC ±.01 3 PLC ±.005 4 PLC ±.0020 ANGLES 40°/30°		SIZE CAGE CODE DRAWING NO 114-13038		RESTRICTED TO A100779C=1892430
MATERIAL FINISH		WEIGHT Customer Drawing		
SCALE 4:1				SHEET 2 OF 5
REV D4				

LOC	DIST	REV	DATE	BY	APPD
ES	00				

REVISIONS			
NO.	DESCRIPTION	DATE	BY
-	SEE SHEET 1	-	-

PART NUMBER	ROWS	POWER		SIGNAL						POWER			
		P4	P3	6	5	4	3	2	1	P2	P1		
1892430-1	D C B A	GP	GP	AP	AP	AP	AP	AP	AP	AP	AP	GP	GP
				AP	AP	AP	AP	AP	AP	AP			
				AP	AP	AP	AP	AP	AP	AP			
2HDP + 24S + 2HDP		HD								HD			

ASSY PART NUMBER	ROWS	POWER						SIGNAL						POWER						
		P12	P11	P10	P9	P8	P7	6	5	4	3	2	1	P6	P5	P4	P3	P2	P1	
1892430-4	D C B A	GS	GS	GS	GS	GS	GS	AP	AP	AP	AP	AP	AP	AP	GS	GS	GS	GS	GS	GS
								AP	AP	AP	AP	AP	AP	AP						
								AP	AP	AP	AP	AP	AP	AP						
6P + 24S + 6P		HD												HD						



CODE	DESCRIPTION
AP	SIGNAL CONTACT
GP	POWER CONTACT, MFBL
GS	POWER CONTACT, STD
HD	HOLD DOWN

THIS DRAWING IS A CONTROLLED DOCUMENT.

DWN: C. ZHOU 11OCT2006
 CHK: SUNY ZHAO 10OCT2006
 APVD: S. YAO
 NAME: S. YAO
 PRODUCT SPEC: 108-1973
 APPLICATION SPEC: 114-13038
 WEIGHT: -
 Customer Drawing

STE TE Connectivity
 VERTICAL RECEPTACLE ASSEMBLY
 PRESS FIT, W/GUIDES
 MULTI-BEAM XL
 SIZE: A1
 CAGE CODE: 100779
 DRAWING NO: 1892430
 SCALE: 4:1
 SHEET: 3 OF 5
 REV: D4

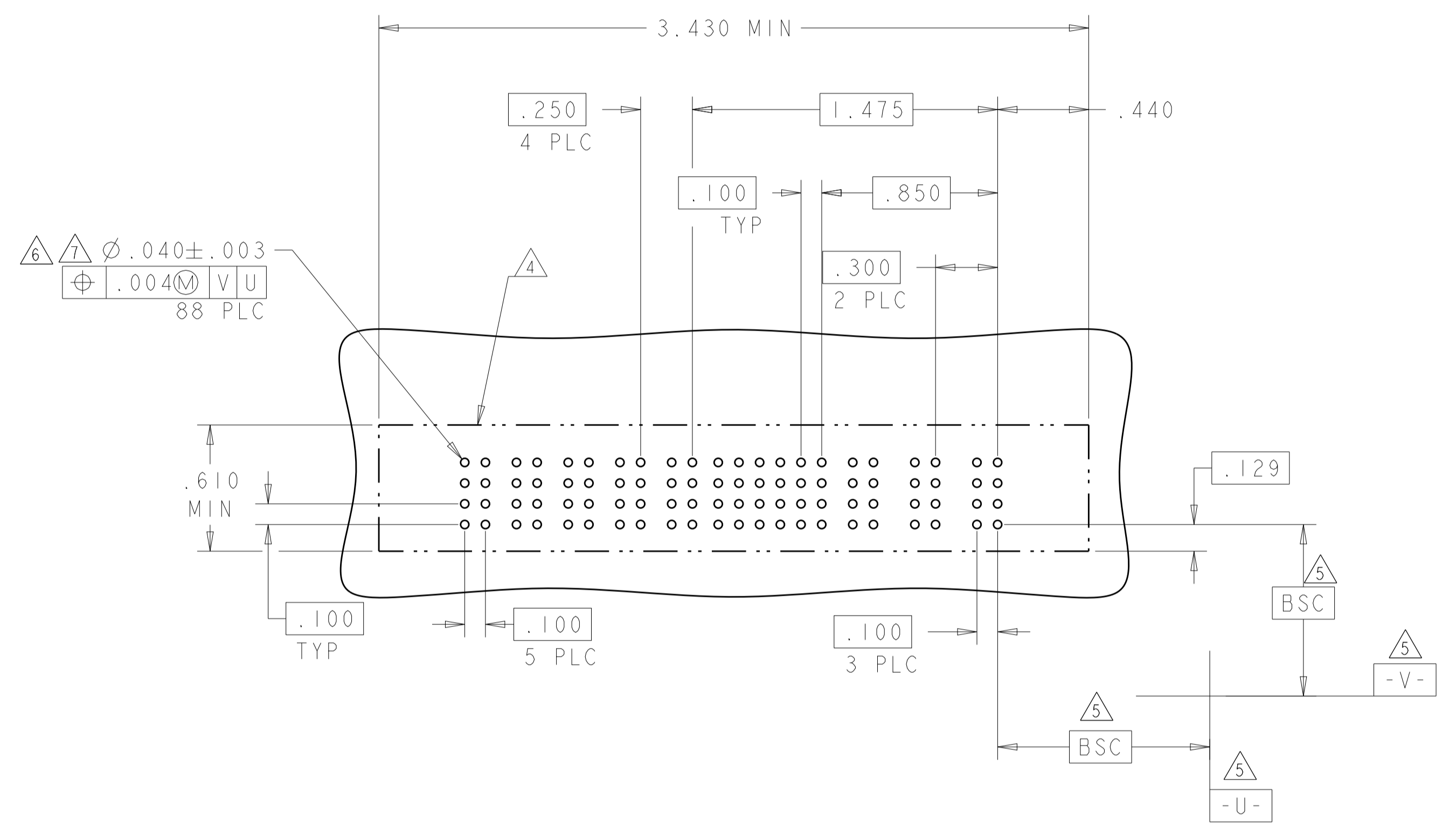
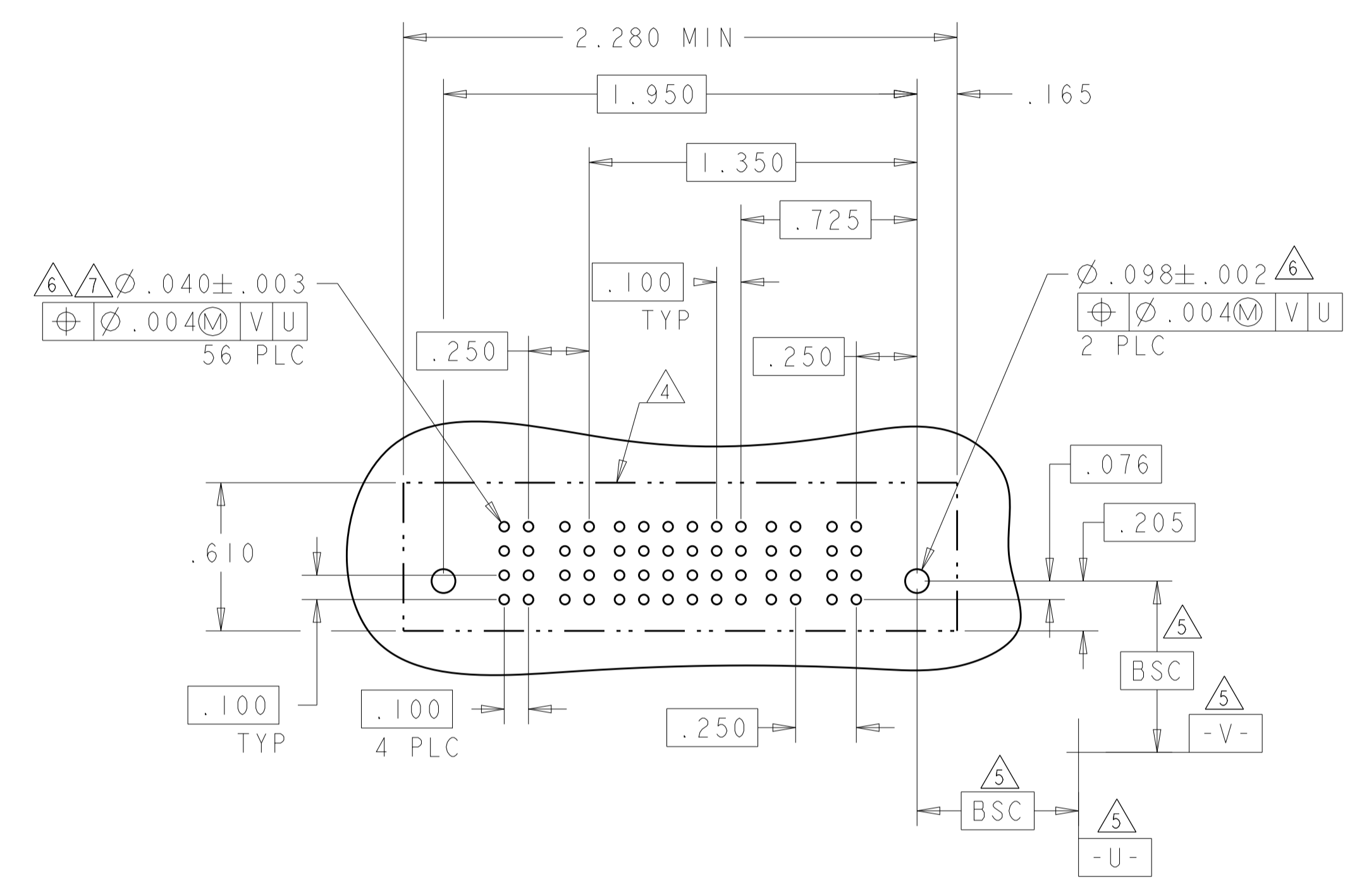
LOC	DIST	REVISIONS			
P	LTN	DESCRIPTION	DATE	DWN	APVD
-	-	SEE SHEET 1	-	-	-

PART NUMBER	ROWS	POWER		SIGNAL					POWER		
		P4	P3	6	5	4	3	2	1	P2	P1
1892430-5	D C B A	GP	GP	AP	AP	AP	AP	AP	AP	GP	GP
		AP	AP	AP	AP	AP	AP	AP	AP	GP	GP
		AP	AP	AP	AP	AP	AP	AP	AP	GP	GP

2P + 24S + 2P

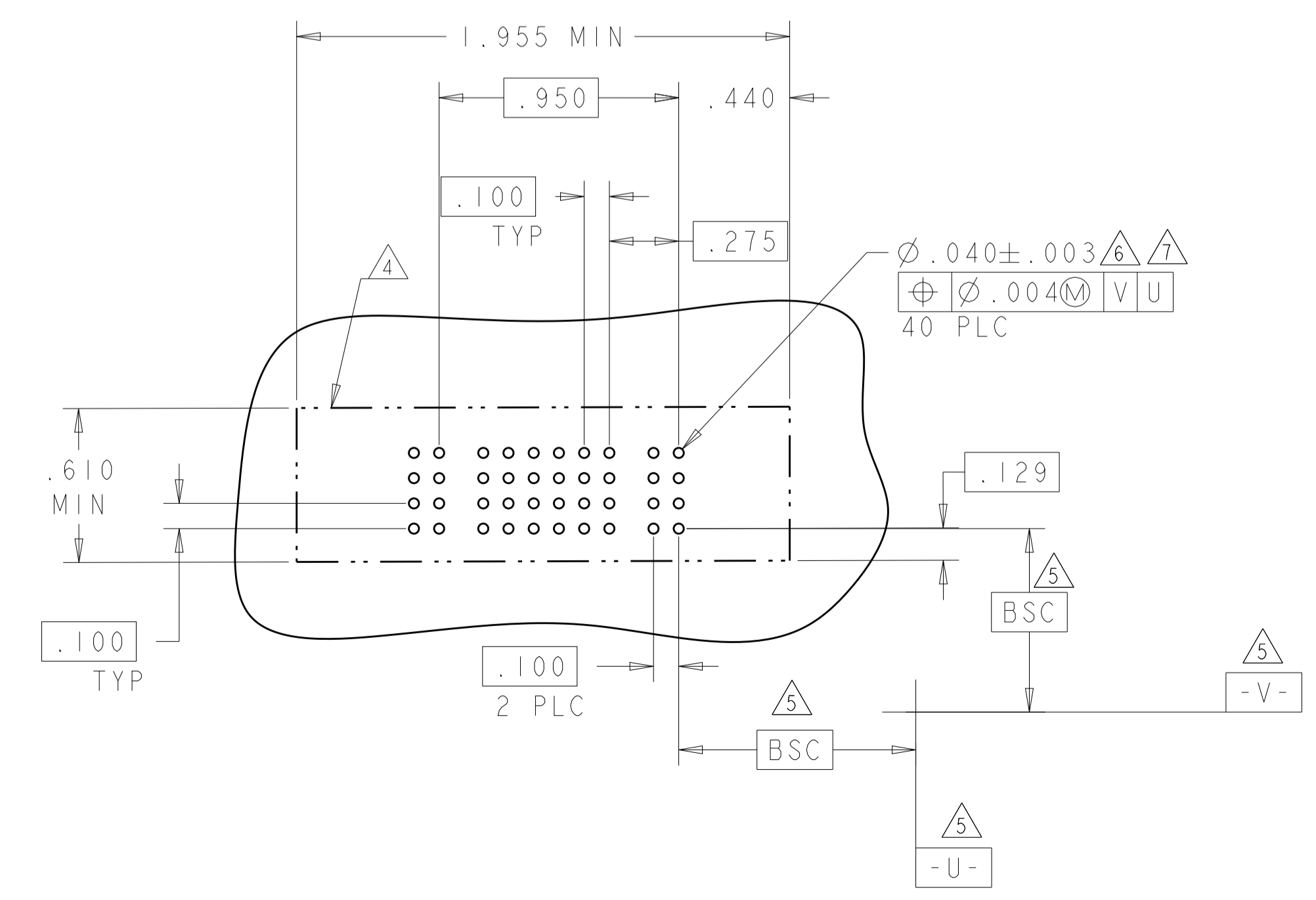
PART NUMBER	ROWS	POWER (L)				SIGNAL					POWER (R)			
		P8	P7	P6	P5	6	5	4	3	2	1	P3	P2	P1
1892430-3	D C B A	GS	GS	GS	GS	AP	AP	AP	AP	AP	AP	GP	GS	GS
		AP	AP	AP	AP	AP	AP	AP	AP	AP	AP	GP	GS	GS
		AP	AP	AP	AP	AP	AP	AP	AP	AP	AP	GP	GS	GS

3ACP + 24S + 5P



PART NUMBER	ROWS	POWER		SIGNAL					POWER	
		P2	6	5	4	3	2	1	P1	
1892430-2	D C B A	GP	AP	AP	AP	AP	AP	AP	GP	GP
		AP	AP	AP	AP	AP	AP	AP	GP	GP
		AP	AP	AP	AP	AP	AP	AP	GP	GP

1P + 24S + 1P



THIS DRAWING IS A CONTROLLED DOCUMENT.		DWN: C. ZHOU 11OCT2006	STE TE Connectivity
DIMENSIONS: INCHES		CHK: SUNY ZHAO 10OCT2006	
TOLERANCES UNLESS OTHERWISE SPECIFIED:		APVD: S. YAO	VERTICAL RECEPTACLE ASSEMBLY PRESS FIT, W/GUIDES MULTI-BEAM XL
0 PLC ±.01		PRODUCT SPEC	
1 PLC ±.01		108-1973	
2 PLC ±.01		APPLICATION SPEC	
3 PLC ±.005		SIZE: CAGE CODE DRAWING NO	RESTRICTED TO
4 PLC ±.002		A100779C=1892430	
ANGLES: ±.0020		WEIGHT	
FINISH: 40°/30°		Customer Drawing	SCALE: 4:1 SHEET 4 OF 5 REV: D4

