



Chipsmall Limited consists of a professional team with an average of over 10 year of expertise in the distribution of electronic components. Based in Hongkong, we have already established firm and mutual-benefit business relationships with customers from,Europe,America and south Asia,supplying obsolete and hard-to-find components to meet their specific needs.

With the principle of “Quality Parts,Customers Priority,Honest Operation,and Considerate Service”,our business mainly focus on the distribution of electronic components. Line cards we deal with include Microchip,ALPS,ROHM,Xilinx,Pulse,ON,Everlight and Freescale. Main products comprise IC,Modules,Potentiometer,IC Socket,Relay,Connector.Our parts cover such applications as commercial,industrial, and automotives areas.

We are looking forward to setting up business relationship with you and hope to provide you with the best service and solution. Let us make a better world for our industry!



## Contact us

Tel: +86-755-8981 8866 Fax: +86-755-8427 6832

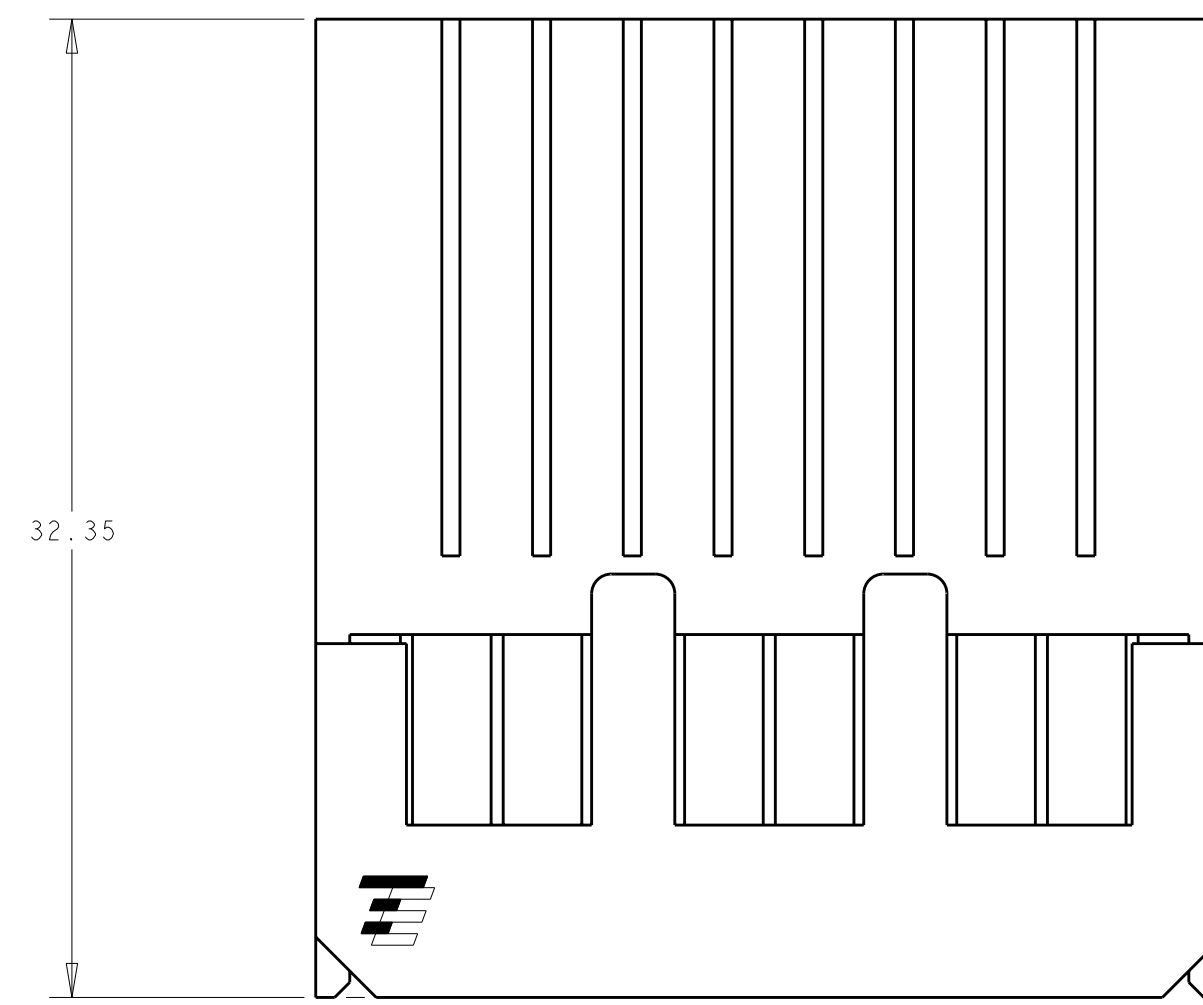
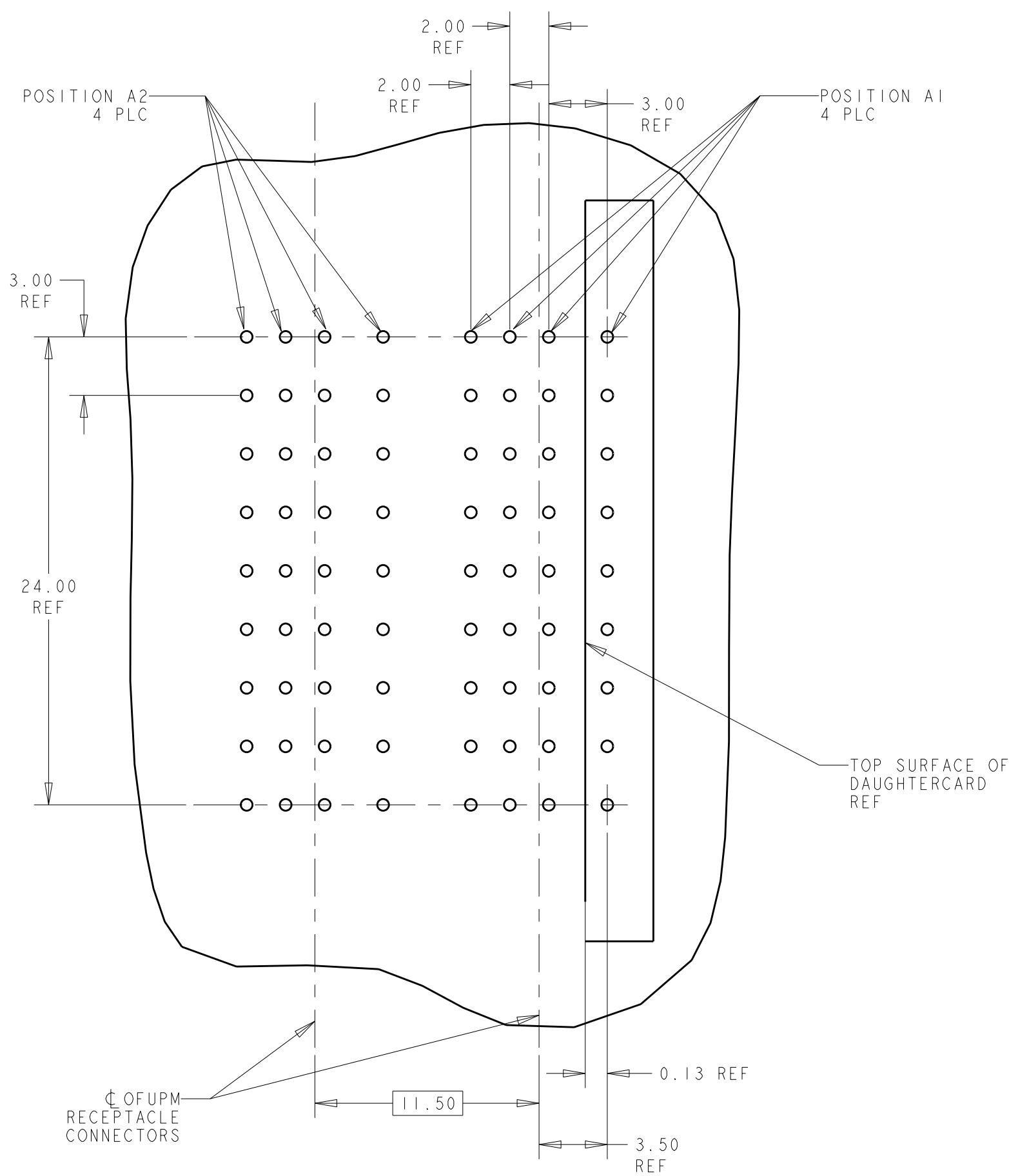
Email & Skype: info@chipsmall.com Web: www.chipsmall.com

Address: A1208, Overseas Decoration Building, #122 Zhenhua RD., Futian, Shenzhen, China

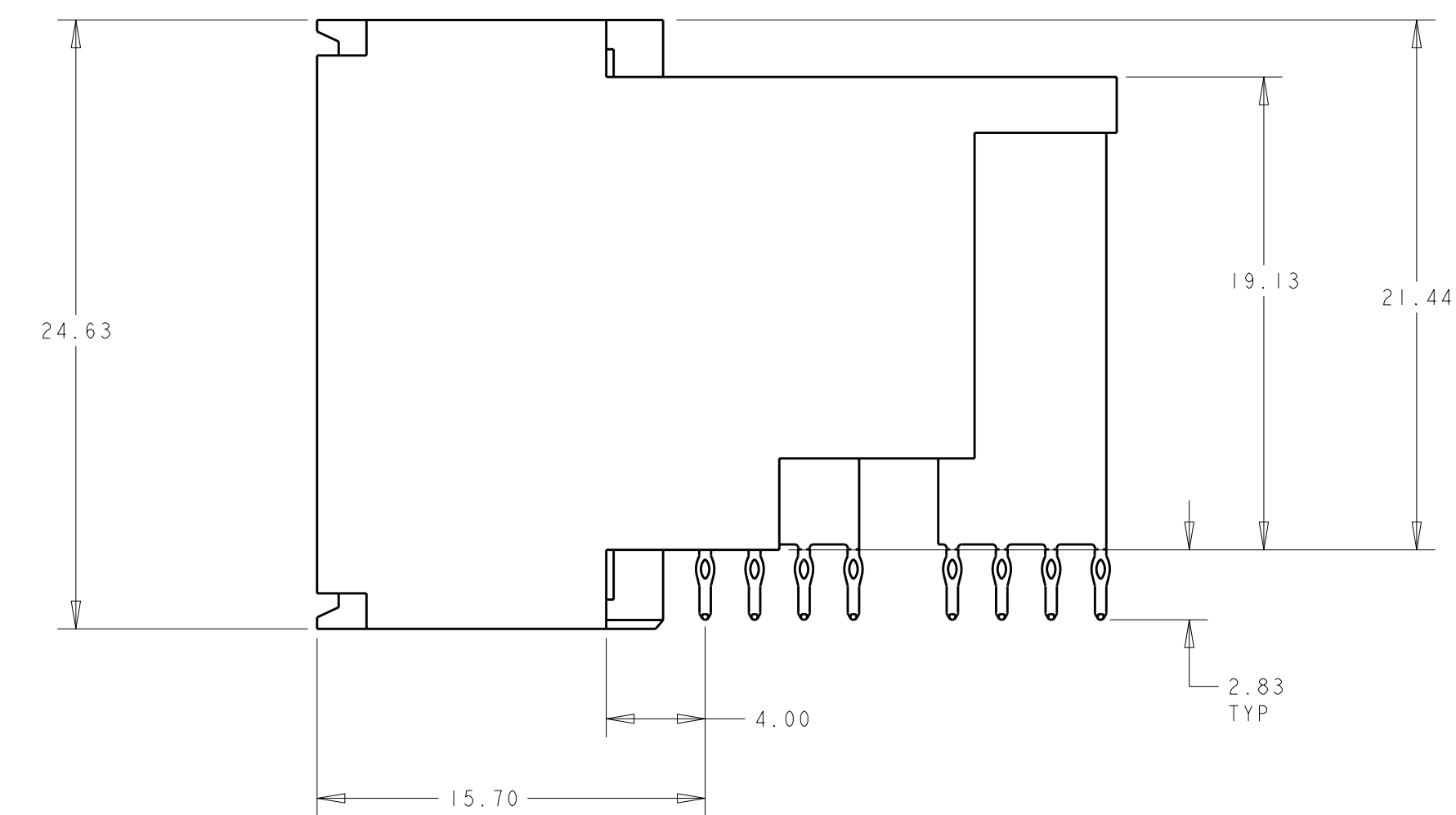
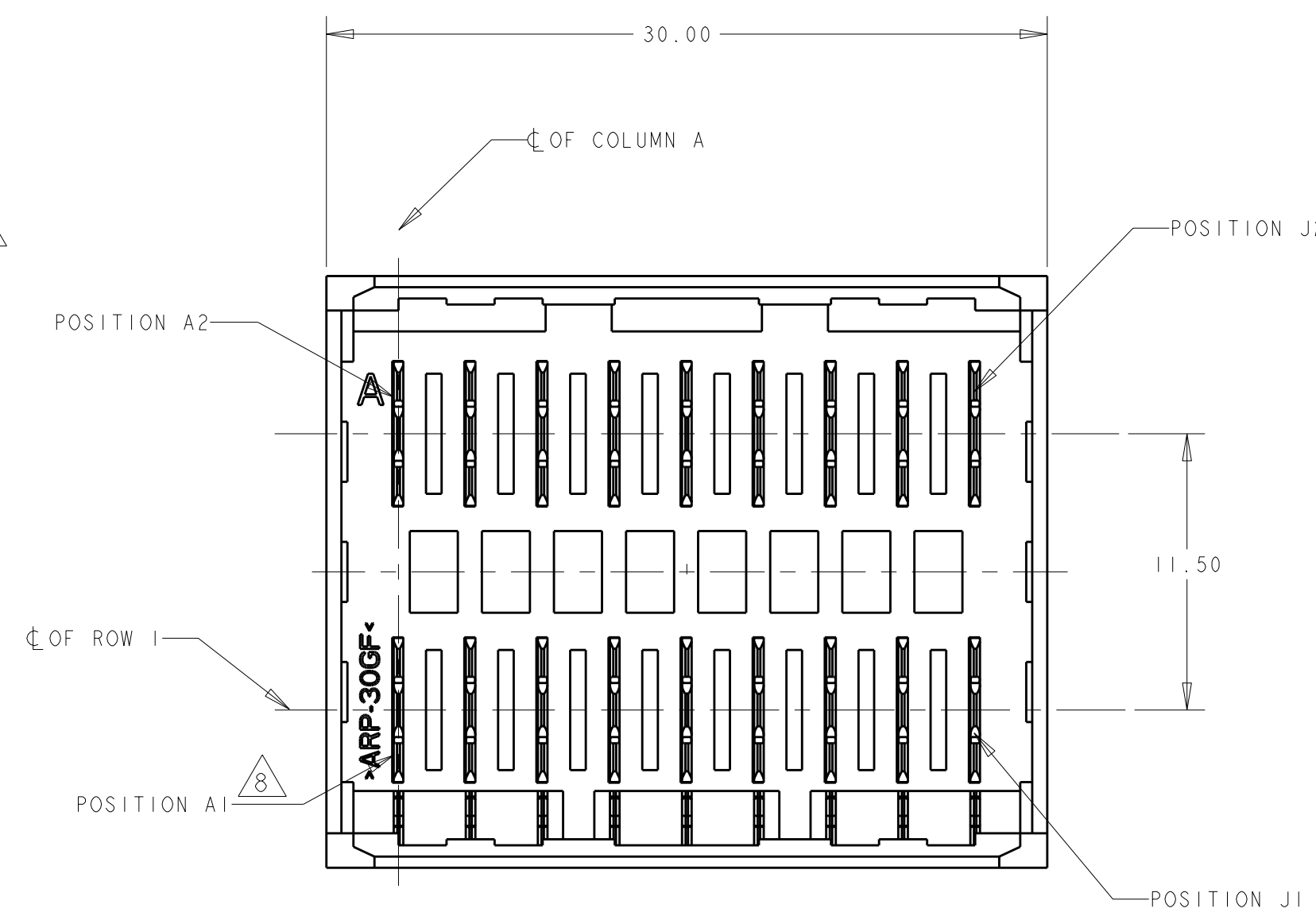
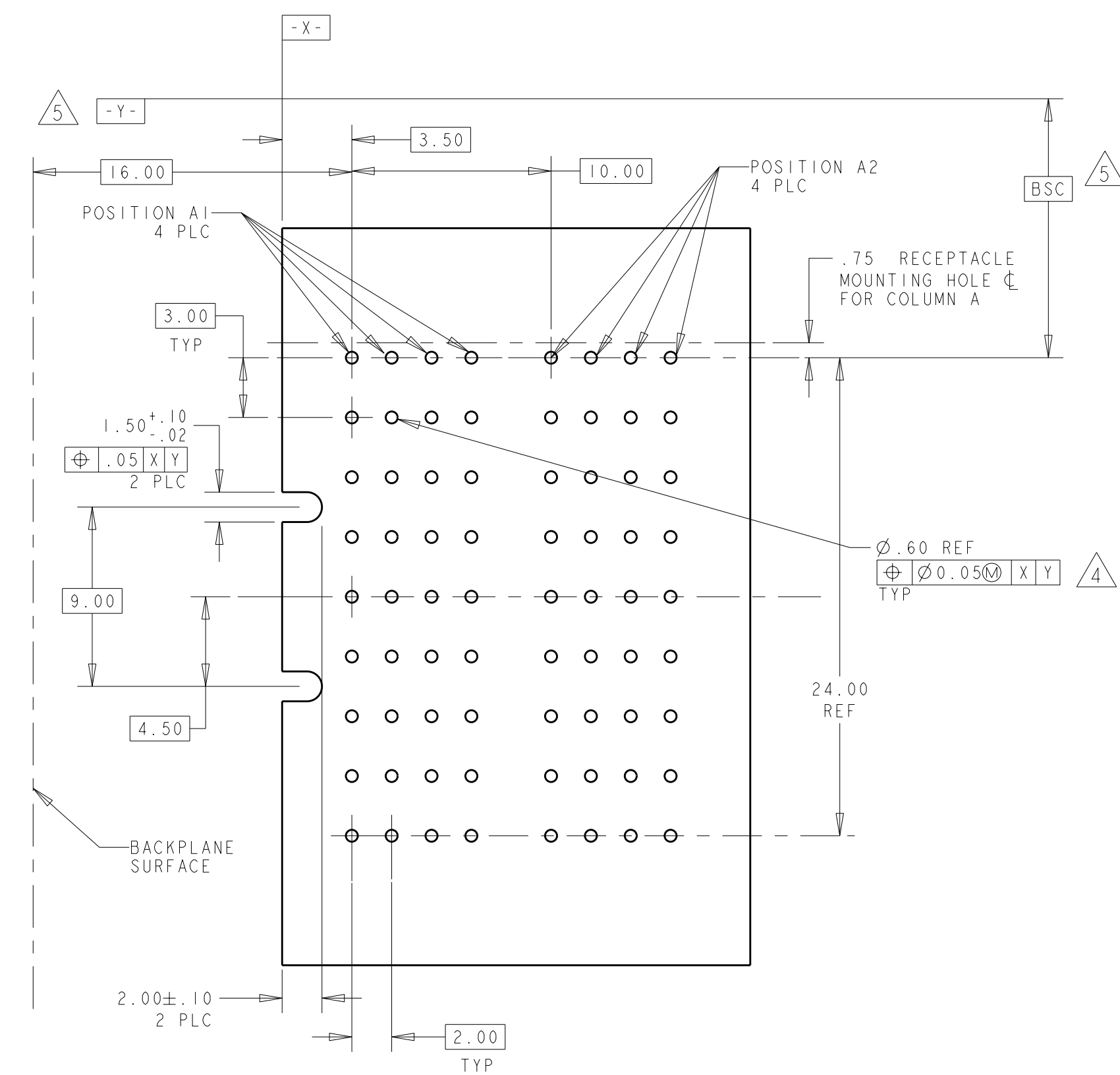
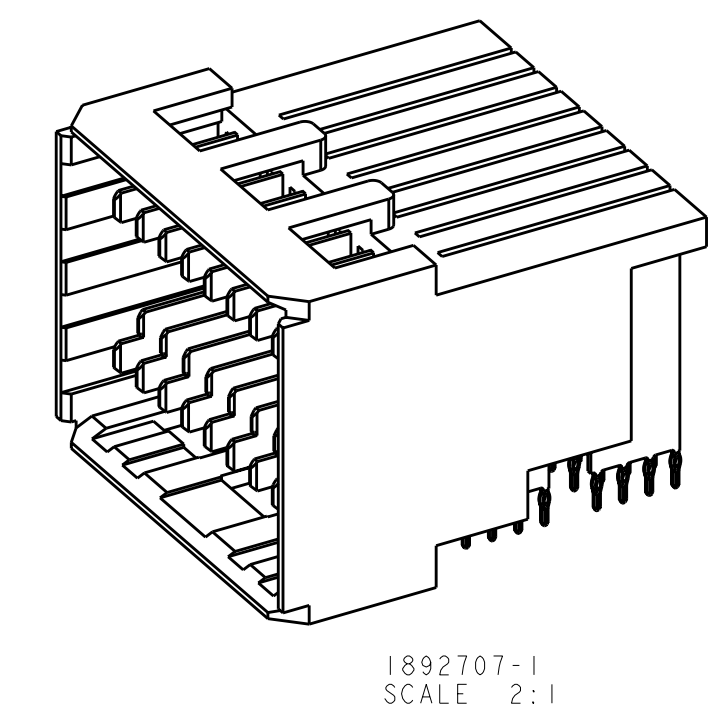
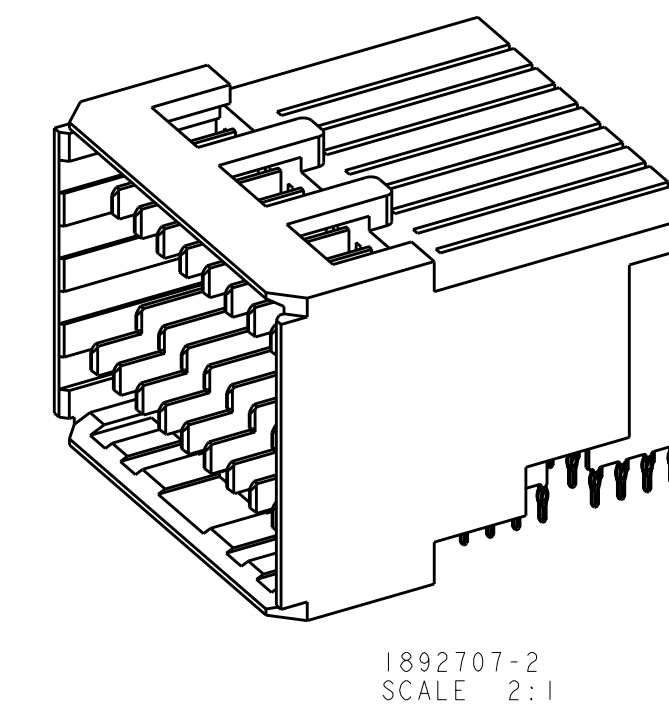


LOC	DIST	REVISIONS					
ES	00	P	LT#	DESCRIPTION	DATE	DWN	APVD
		1		PROPOSAL DRAWING	24JUN2009	OL	SY
		2		REVISED BASE NUMBER	03JULY2009	OL	SY
		A		REV PER ECR-09-015886	15JULY2009	OL	SY

MATING RECEPTACLE PCB LAYOUT 3



- 1 MATERIAL: HOUSING: POLYESTER. COLOR: BLACK, UL 94 V-0  
CONTACT: COPPER ALLOY.
- 2 FINISH: CONTACT MATING AREA: 0.00076 mm MIN GOLD PLATE OVER 0.00127 mm MIN NICKEL, OR 0.0005 mm MIN GOLD OVER 0.00064 mm PALLADIUM-NICKEL OVER 0.00127 mm MIN NICKEL.  
COMPLIANT TAIL AREA: 0.0005 mm MIN MATTE TIN PLATE OVER 0.00127 mm NICKEL UNDERPLATE.
- 3 TAILS OF MATING UPM STYLE RECEPTACLE ARE OFFSET BY .75 mm FROM TAILS OF THIS CONNECTOR. SEE CUSTOMER DRAWING 120992 FOR RECEPTACLE EXAMPLE. SEE APPLICATION SPEC 114-1103 FOR MORE DETAILED DESCRIPTION OF THE TAIL OFFSETS.
- 4 PC BOARD HOLE SPECIFICATIONS:  
 DRILLED HOLE SIZE: 0.700±0.02 mm  
 FINISHED HOLE SIZE: 0.60±0.05 mm  
 PLATING THICKNESS:  
 0.025 - 0.050 mm COPPER  
 0.004 - 0.010 mm HASL TIN  
 0.0005 mm MIN IMMERSION TIN  
 0.0002 - 0.0005 mm OSP  
 0.0001mm MIN IMMERSION SILVER  
 0.0001-0.0005 mm IMMERSION GOLD OVER 0.004-0.005 mm NICKEL
- 5 DATUM AND BASIC DIMENSIONS ESTABLISHED BY CUSTOMER.
- 6 MINIMUM REQUIRED PC BOARD THICKNESS IS 1.44mm.
- 7. CONTACT AREA LUBRICATED WITH BELLCORE APPROVED LUBRICANT. TECHNICAL REFERENCE GR-12178- CORE, ISSUE 1 NOVEMBER 1995.
- 8 POSITION A1 IS AT MATERIAL ID.



RECOMMENDED PCB LAYOUT 6

A1, B1, C1, D1, E1, F1, G1, H1, J1		A2, B2, C2, D2, E2, F2, G2, H2, J2		1892717-2
LONG PIN LOCATION		SHORT PIN LOCATION		PART NO
ALL		ALL		1892717-1
DWN: ORANDO LI 24JUN2009 CBY: SUNY ZHAO 24JUN2009 APVD: STEVEN YAO 24JUN2009 NAME: ASSEMBLY, RIGHT ANGLE HEADER MINIPAK HDE 2X9 POSITION PRODUCT SPEC: 108-2289 APPLICATION SPEC: SIZE: CAGE CODE DRAWING NO: A100779 C=1892717 WEIGHT: - CUSTOMER DRAWING: SCALE 5:1 SHEET 1 OF 1 REV A				

DIMENSIONS:		TOLERANCES UNLESS OTHERWISE SPECIFIED:	
mm	9 PLC	±	.25
	8 PLC	±	.25
	5 PLC	±	.25
	4 PLC	±	.25
	ANGLES	±	1°
MATERIAL	FINISH		