



Chipsmall Limited consists of a professional team with an average of over 10 year of expertise in the distribution of electronic components. Based in Hongkong, we have already established firm and mutual-benefit business relationships with customers from,Europe,America and south Asia,supplying obsolete and hard-to-find components to meet their specific needs.

With the principle of “Quality Parts,Customers Priority,Honest Operation,and Considerate Service”,our business mainly focus on the distribution of electronic components. Line cards we deal with include Microchip,ALPS,ROHM,Xilinx,Pulse,ON,Everlight and Freescale. Main products comprise IC,Modules,Potentiometer,IC Socket,Relay,Connector.Our parts cover such applications as commercial,industrial, and automotives areas.

We are looking forward to setting up business relationship with you and hope to provide you with the best service and solution. Let us make a better world for our industry!



Contact us

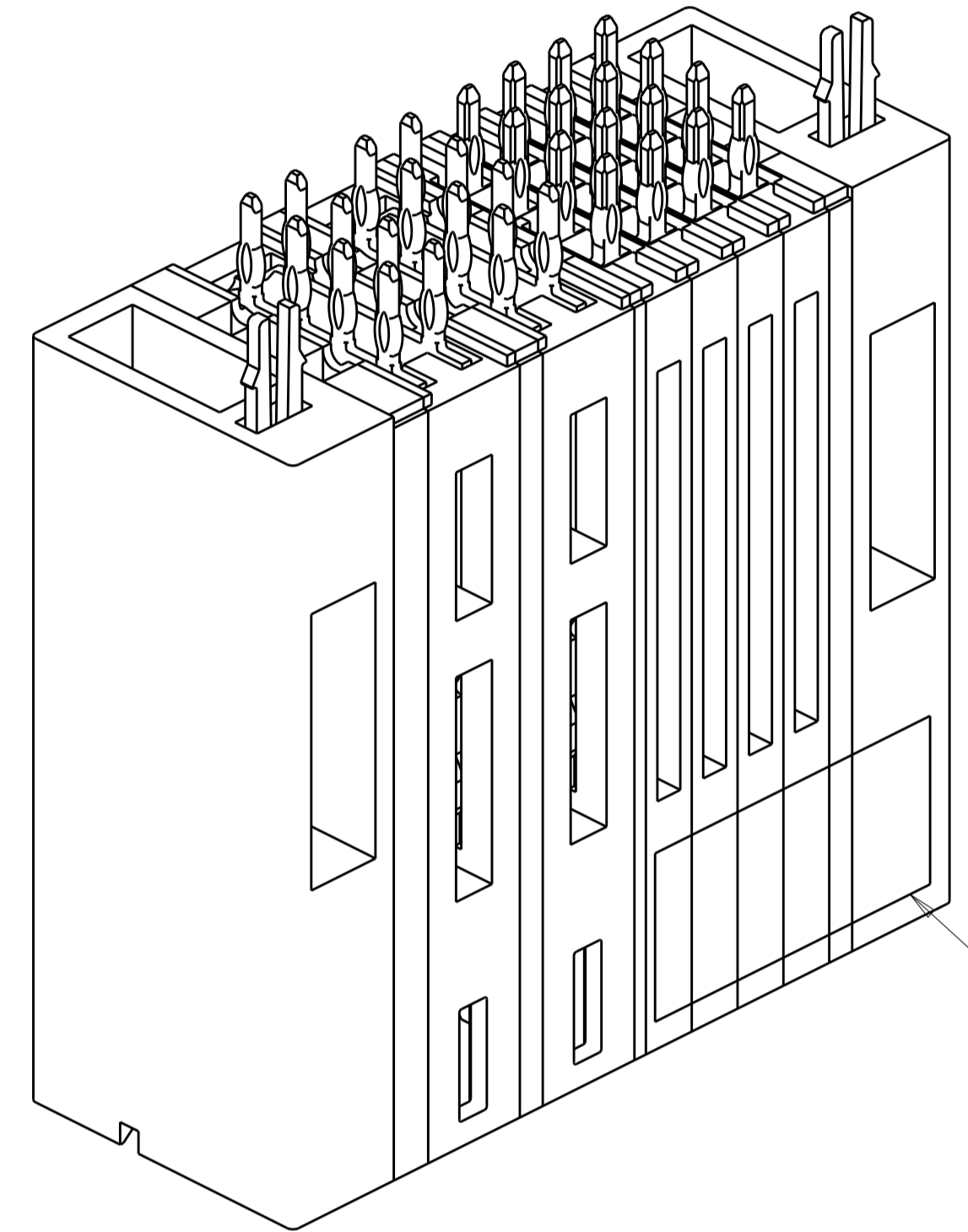
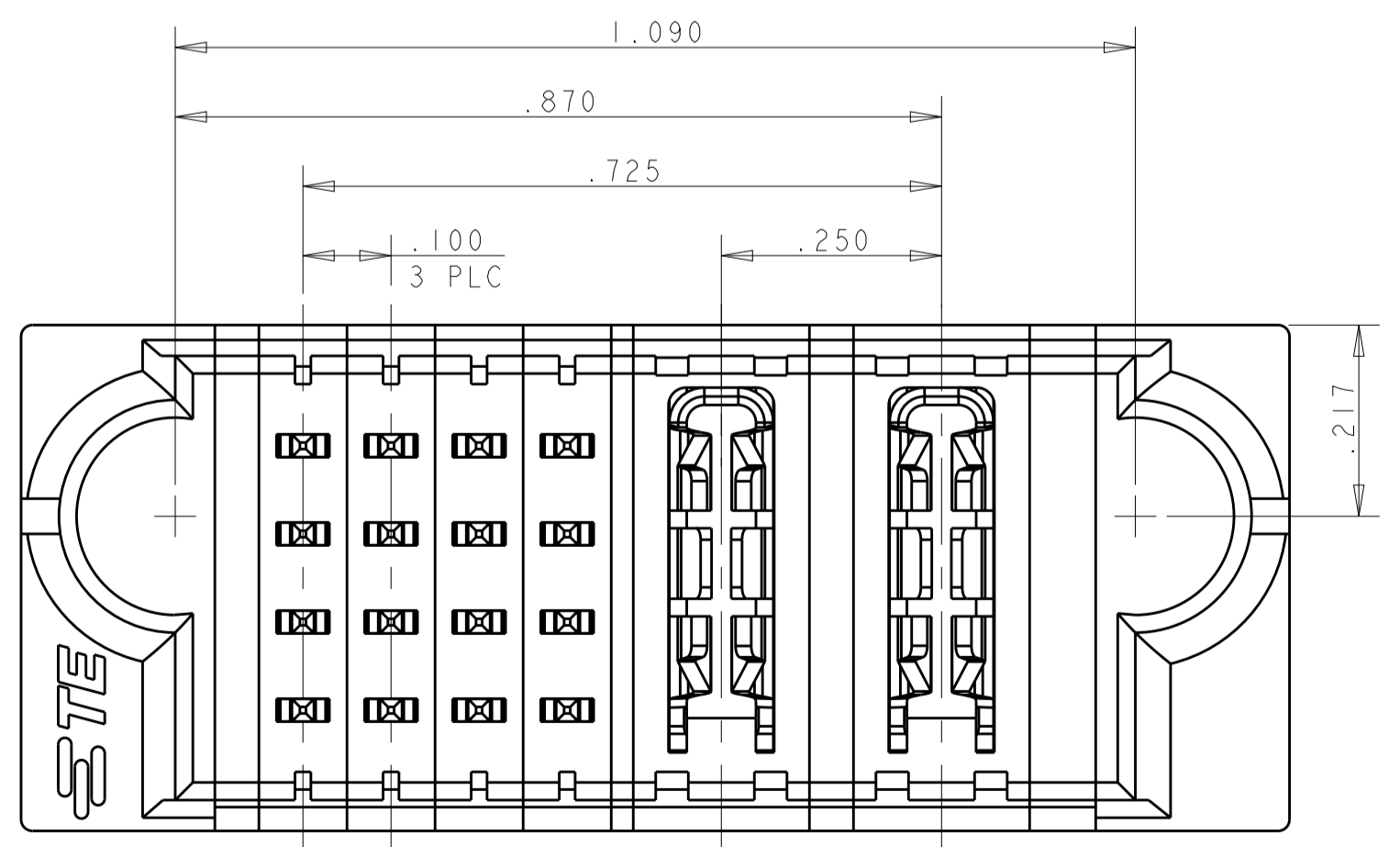
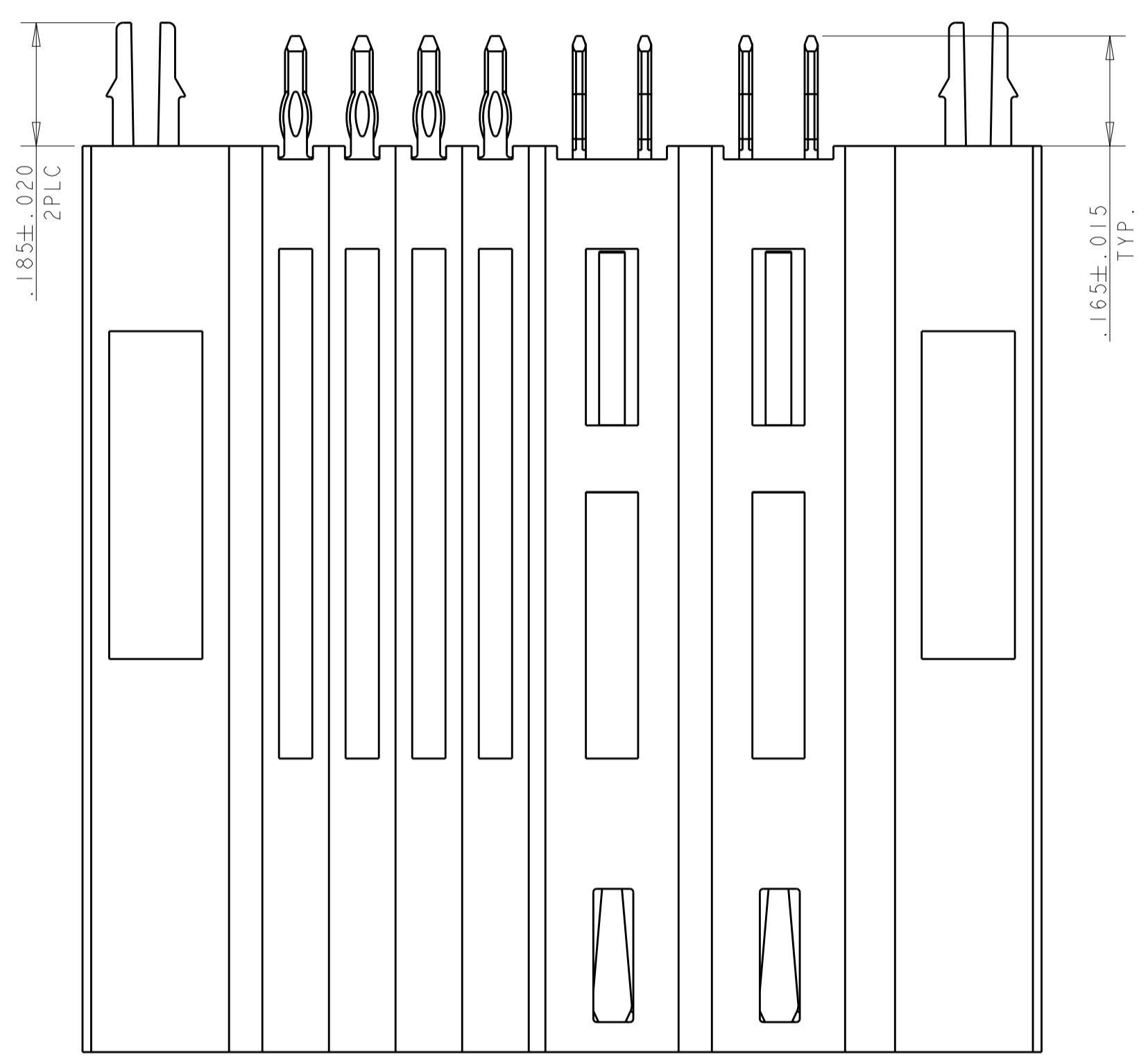
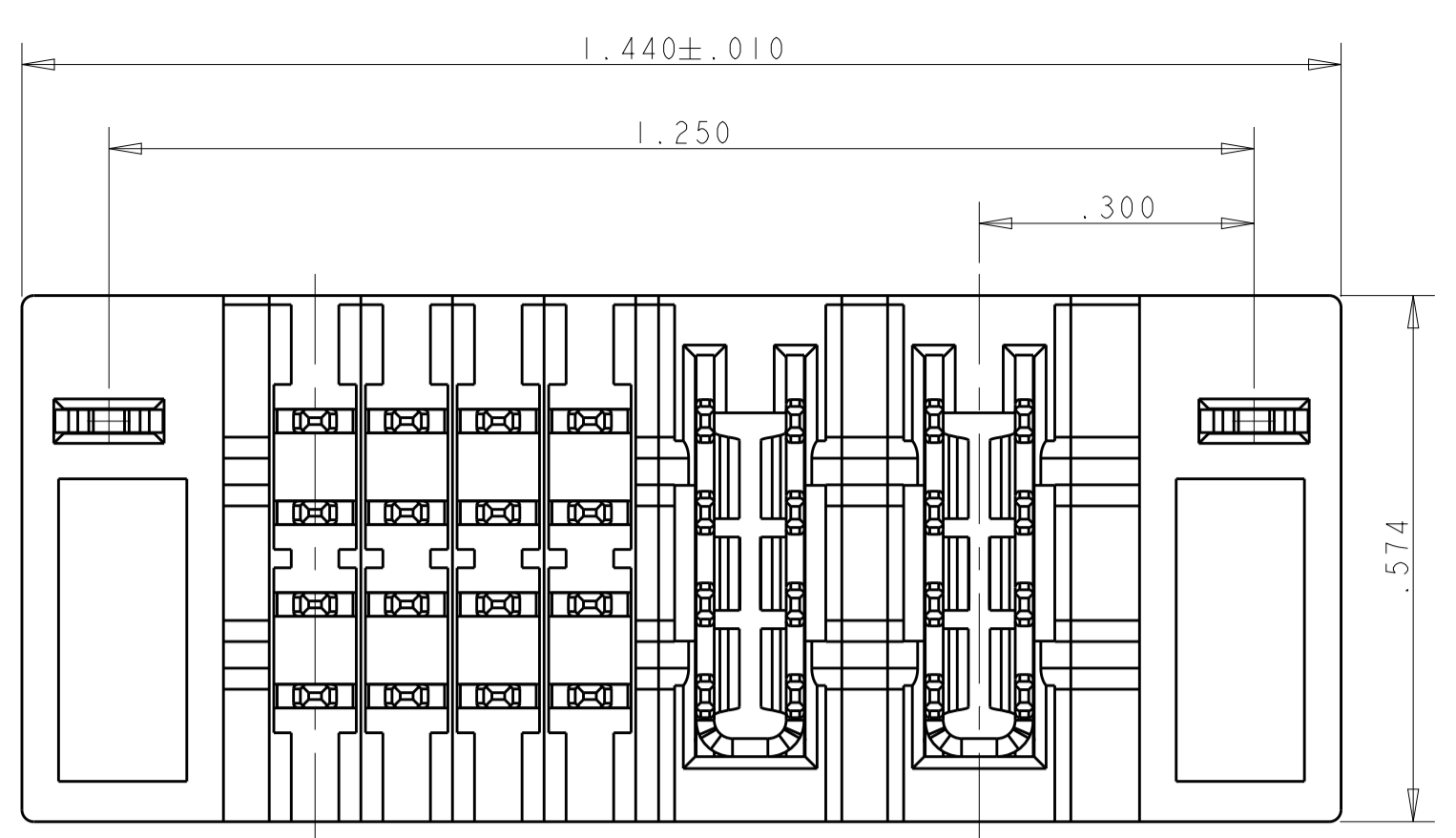
Tel: +86-755-8981 8866 Fax: +86-755-8427 6832

Email & Skype: info@chipsmall.com Web: www.chipsmall.com

Address: A1208, Overseas Decoration Building, #122 Zhenhua RD., Futian, Shenzhen, China

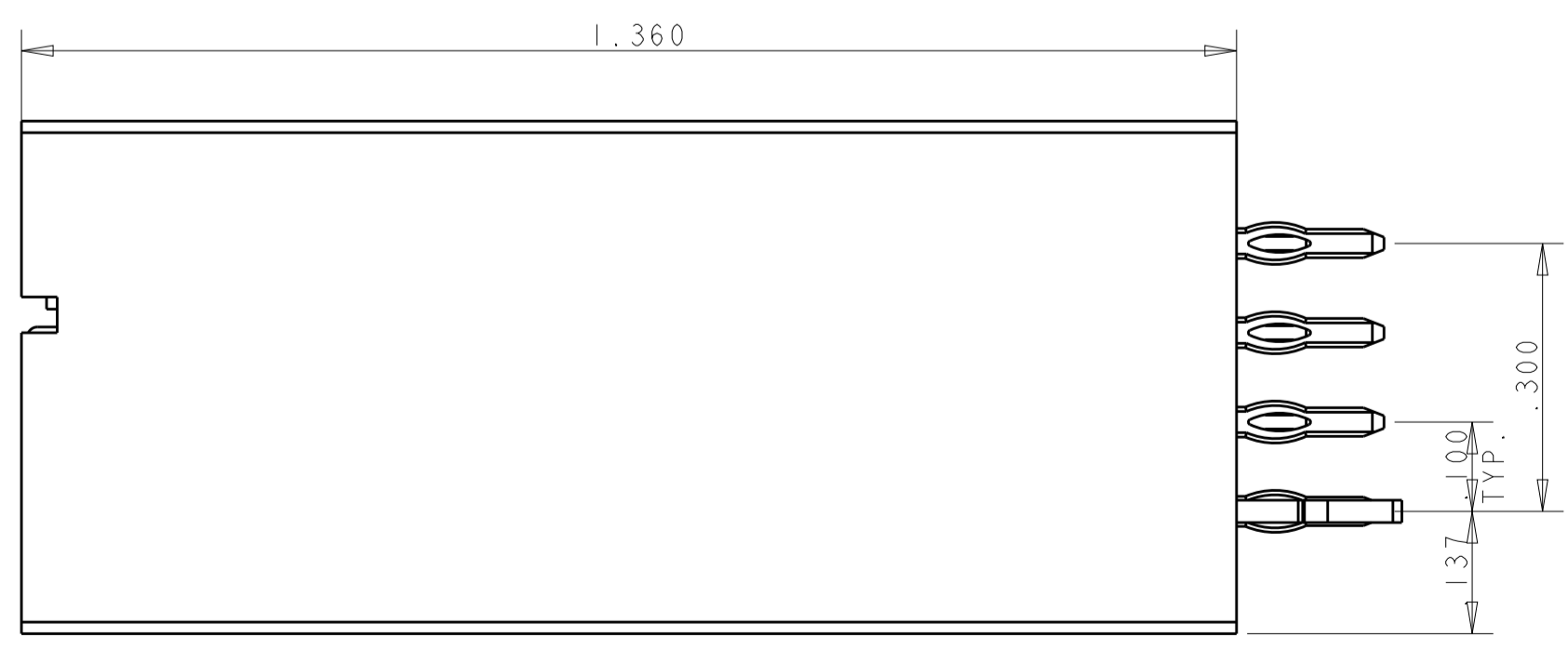


LOC	DIST	REVISIONS			
P	LTN	DESCRIPTION	DATE	DWN	APVD
A		INITIAL RELEASED	28FEB2012	TZ	SZ
A1		ADD NEW PART NUMBER 1892801-4	16MAR2012	TZ	SZ
B		ECO-13-014610	16SEP2013	TZ	SZ



- 1. HEADER HOUSING: THERMO PLASTIC, BLACK, UL94 V-0; CONTACTS AND RETENTION CLIPS: COPPER ALLOY.
- 2. PIN CONTACTS: .000030 MIN GOLD IN MATING AREA, .000100 MIN TIN ON POST AREAS, BOTH OVER .000050 MIN NICKEL.
- 3. PART NUMBER AND DATE CODE MARKED IN THIS AREA. PARTS
- 4. DATUM AND BASIC DIMENSIONS ESTABLISHED BY CUSTOMER.
- 5. PCB - ALL HOLE DIAMETERS ARE FINISHED HOLE SIZES.
- 6. A SEATING TOOL IS REQUIRED TO SEAT THE HEADER ON THE P.C. BOARD. PLEASE REFER TO THE 114-13251 APPLICATION SPEC. THE SEATING TOOL PART NUMBER: 1901221-4.
- 7. MECHANICAL CONNECTOR KEEP OUT ZONE.
- 8. ADD ZONYL PFPE LUBRICANT APPLIED TO THE POWER CONTACT.

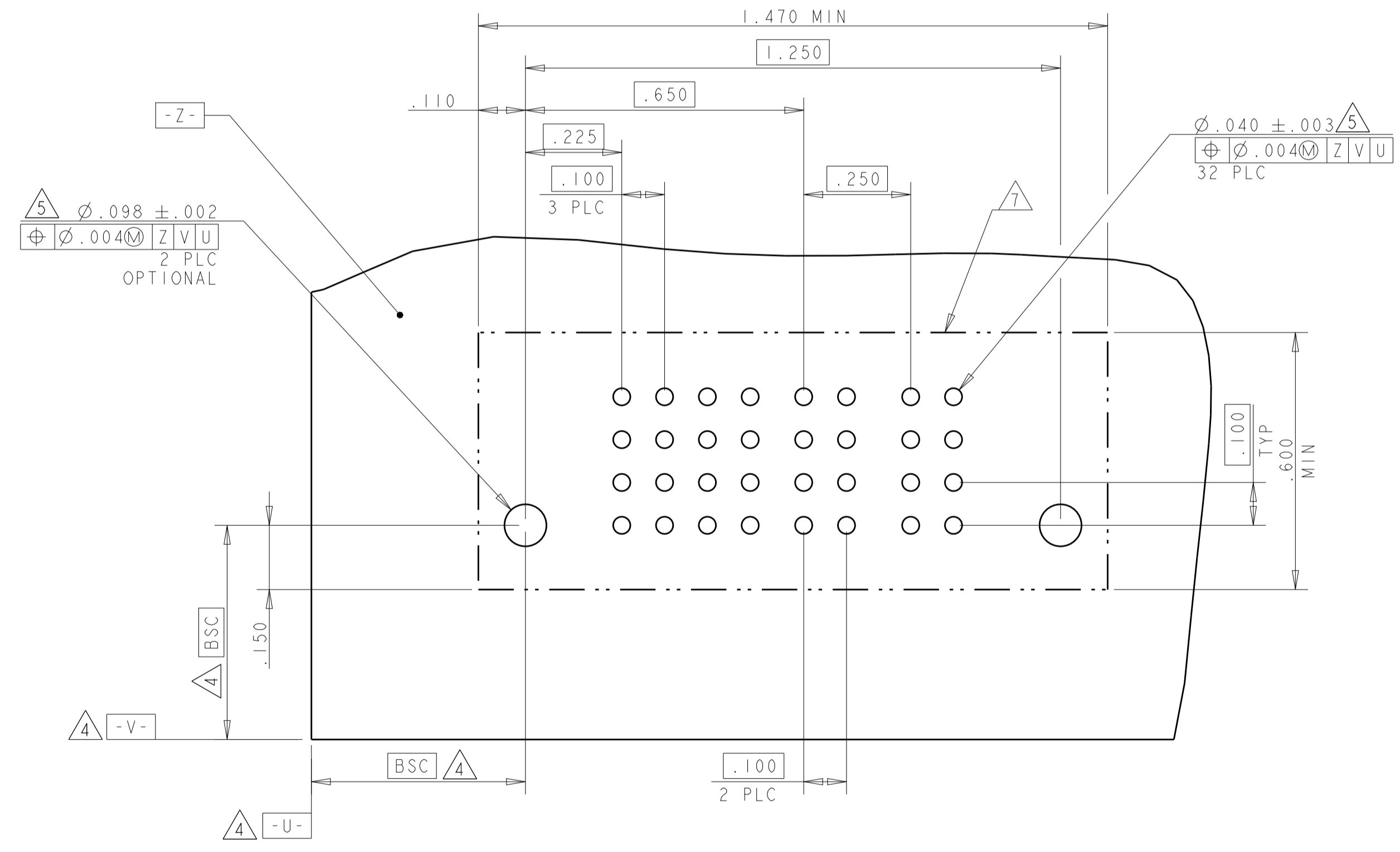
3. PART NUMBER DATA CODE



A1	16S + 2P	1892801-4	8
	16S + 2P	1892801-1	
	DESCRIPTION	PART NUMBER	

THIS DRAWING IS A CONTROLLED DOCUMENT.		DWN: C. ZHOU 15SEP2010	TE Connectivity	
DIMENSIONS: INCHES		CHK: S. ZHAO 15SEP2010		
TOLERANCES UNLESS OTHERWISE SPECIFIED:		APVD: S. ZHAO 15SEP2010		
0 PLC ±	1 PLC ±	PRODUCT SPEC	NAME: VERTICAL PLUG ASSEMBLY	
2 PLC ±	3 PLC ±	108-2292	1.535 INCH STACK HEIGHT	
4 PLC ±0.005	ANGLES ±0.0020	APPLICATION SPEC	MULTI-BEAM XLE	
MATERIAL: 1		114-13251	SIZE: A1	CAGE CODE: 100779
FINISH: 2		WEIGHT: -	DRAWING NO: C=1892801	RESTRICTED TO: -
CUSTOMER DRAWING		SCALE: 1:1	SHEET: 1 OF 3	REV: B

PART NUMBER	ROWS	SIGNAL				POWER	
		1	2	3	4	P1	P2
1892801-1	D	E	V	E	V	VM	VM
	C	E	V	E	V		
	B	E	V	E	V		
	A	E	V	E	V		
16S + 2P		HD					HD



PCB LAYOUT OF 1892801-4 SHARE WITH 1892801-1

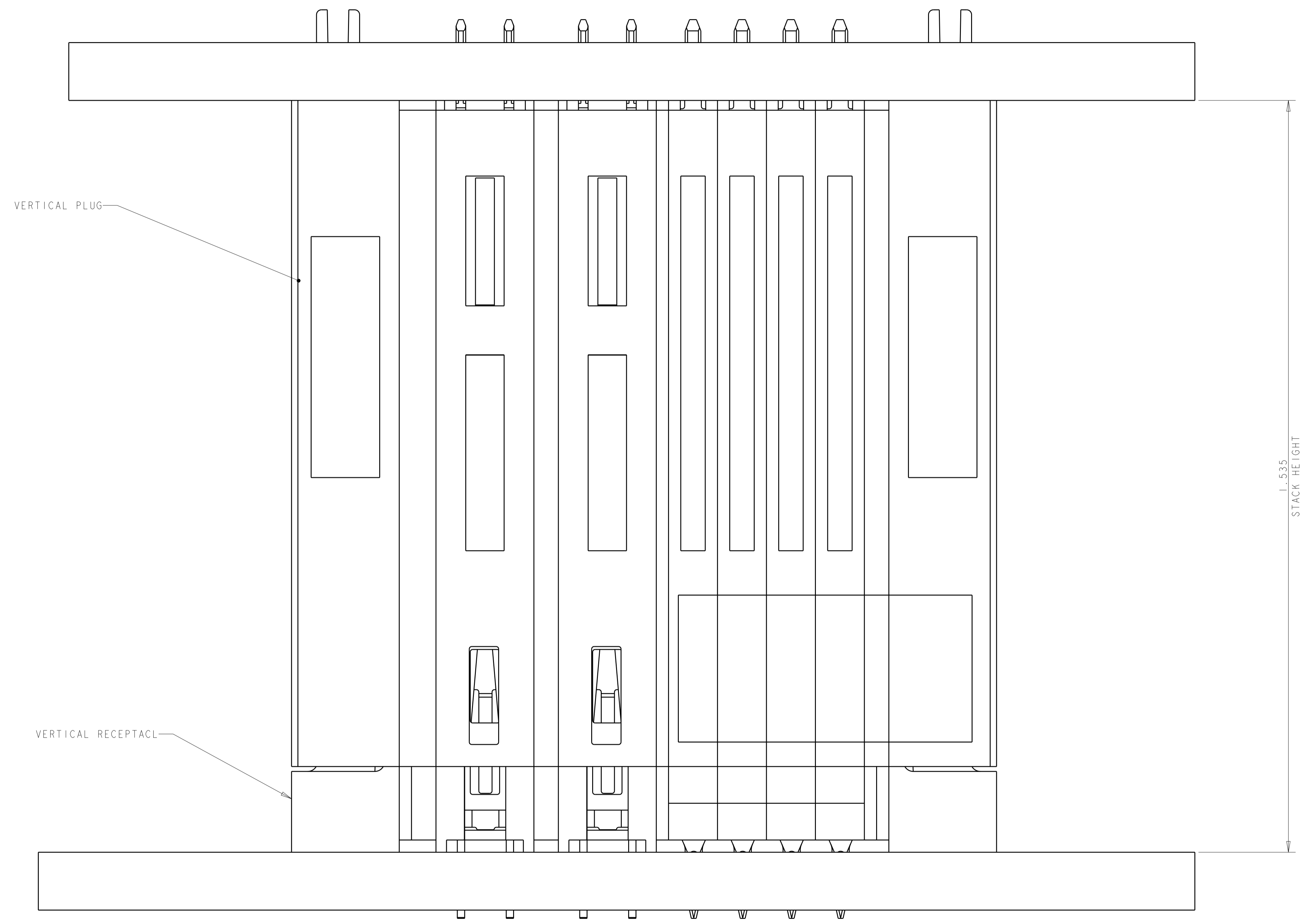
RETENTION CLIP	HD
STD SIGNAL CONTACT	EV
POWER CONTACT	VM
DESCRIPTION	CODE

THIS DRAWING IS A CONTROLLED DOCUMENT.		DWN	C. ZHOU	15SEP2010
DIMENSIONS: INCHES		CHK	S. ZHAO	15SEP2010
TOLERANCES UNLESS OTHERWISE SPECIFIED:		APVD	S. ZHAO	15SEP2010
0 PLC	±	NAME		
1 PLC	±	PRODUCT SPEC		
2 PLC	±0.02	108-2292		
3 PLC	±0.002	APPLICATION SPEC		
4 PLC	±	114-13251		
ANGLES	±2°	SIZE		
FINISH		CAGE CODE		
MATERIAL		DRAWING NO		
		RESTRICTED TO		
		WEIGHT		
		CUSTOMER DRAWING		
		SCALE		
		SHEET		
		OF		
		REV		
		B		


STE TE Connectivity

VERTICAL PLUG ASSEMBLY
1.535 INCH STACK HEIGHT
MULTI-BEAM XLE

A100779C=1892801



MATING WITH VERTICAL RECEPTACLE
REFERENCE

THIS DRAWING IS A CONTROLLED DOCUMENT.		DWN C. ZHOU 15SEP2010	 TE Connectivity
DIMENSIONS: INCHES		CHK S. ZHAO 15SEP2010	
TOLERANCES UNLESS OTHERWISE SPECIFIED:		APVD S. ZHAO 15SEP2010	NAME VERTICAL PLUG ASSEMBLY 1.535 INCH STACK HEIGHT MULTI-BEAM XLE
0 PLC ±	1 PLC ±	PRODUCT SPEC 108-2292	SIZE A100779
2 PLC ±0.02	3 PLC ±0.02	APPLICATION SPEC	CAGE CODE 1892801
4 PLC ±	ANGLES ±7°	114-13251	RESTRICTED TO
MATERIAL	FINISH	WEIGHT	SCALE 2:1
CUSTOMER DRAWING		SHEET 3 OF 3	REV B