



Chipsmall Limited consists of a professional team with an average of over 10 year of expertise in the distribution of electronic components. Based in Hongkong, we have already established firm and mutual-benefit business relationships with customers from,Europe,America and south Asia,supplying obsolete and hard-to-find components to meet their specific needs.

With the principle of “Quality Parts,Customers Priority,Honest Operation,and Considerate Service”,our business mainly focus on the distribution of electronic components. Line cards we deal with include Microchip,ALPS,ROHM,Xilinx,Pulse,ON,Everlight and Freescale. Main products comprise IC,Modules,Potentiometer,IC Socket,Relay,Connector.Our parts cover such applications as commercial,industrial, and automotives areas.

We are looking forward to setting up business relationship with you and hope to provide you with the best service and solution. Let us make a better world for our industry!



## Contact us

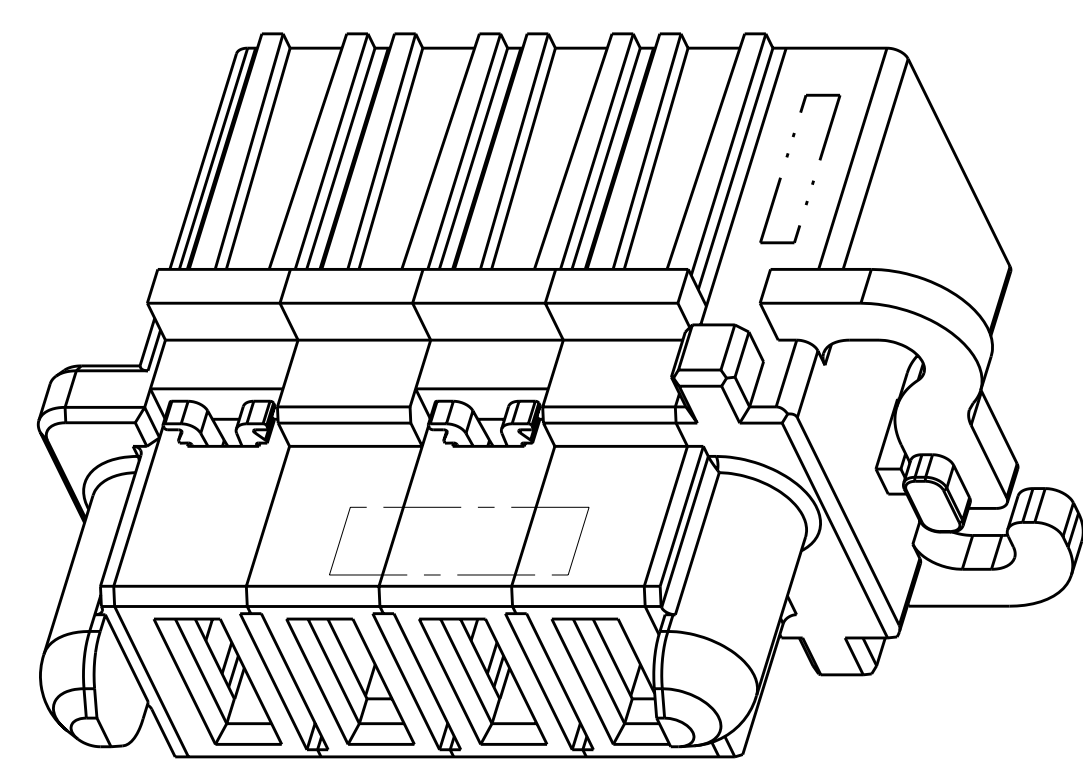
Tel: +86-755-8981 8866 Fax: +86-755-8427 6832

Email & Skype: info@chipsmall.com Web: www.chipsmall.com

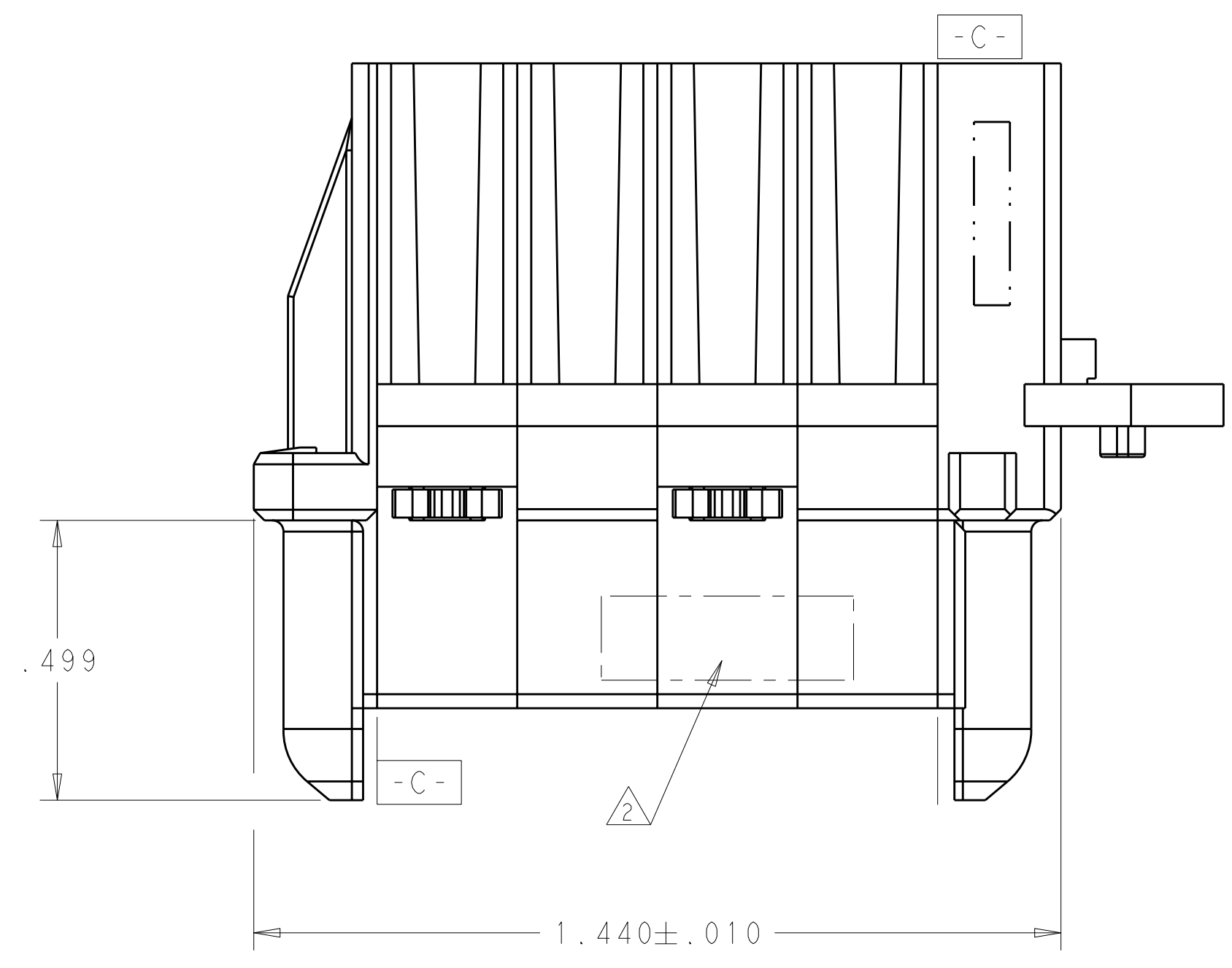
Address: A1208, Overseas Decoration Building, #122 Zhenhua RD., Futian, Shenzhen, China



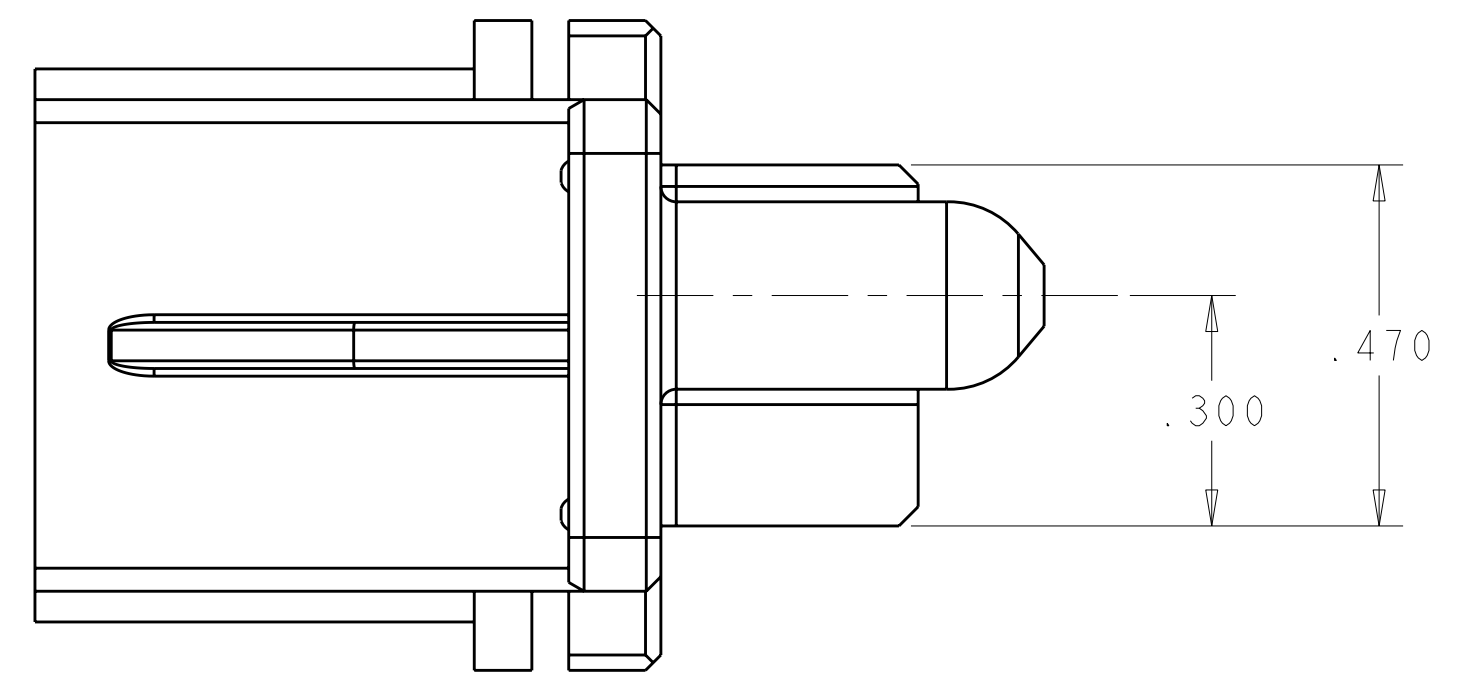
LOC	DIST	REV	DATE	BY	APP'D
ES	00	1	12MAR2010	IL	SY
		A	18MAR2010	IL	SY



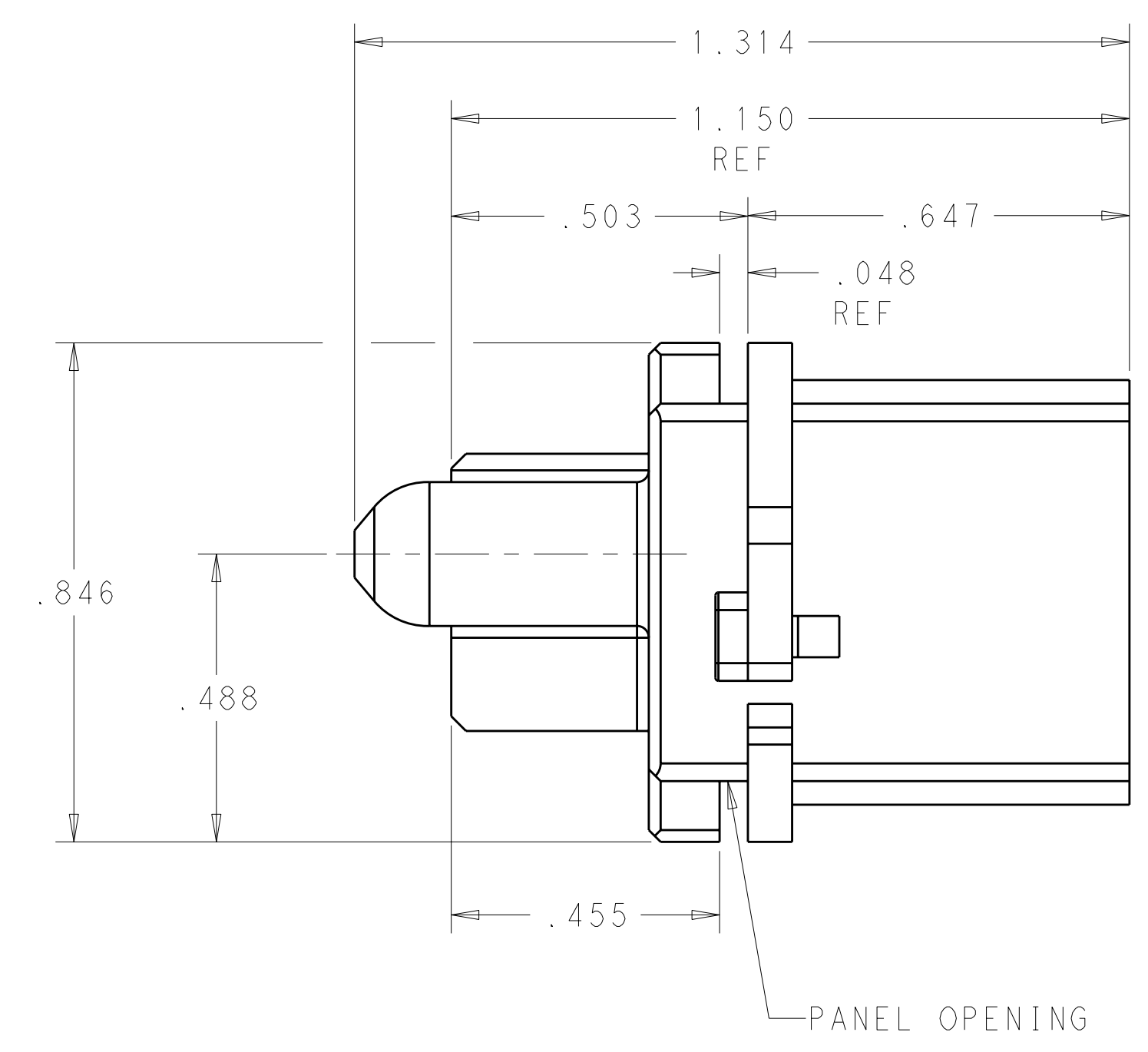
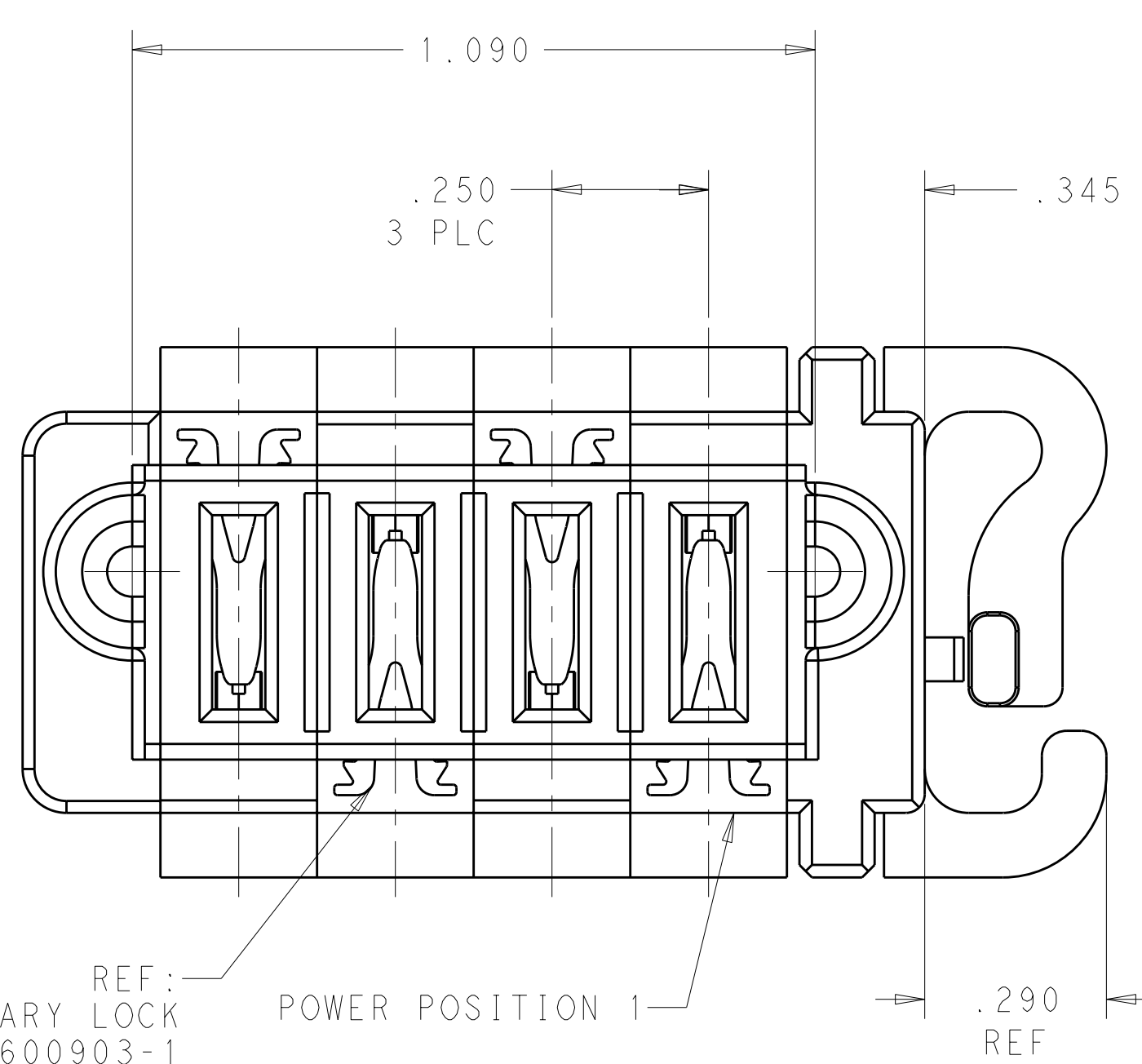
ISOMETRIC VIEW



- ⚠ MATERIAL: THERMO PLASTIC, UL94 V-0.
- ⚠ COMPANY TRADEMARK, PART NUMBER, AND DATE CODE TO BE MARKED IN AREA SHOWN.
- ⚠ PANEL THICKNESS = .040 ± .005
- ⚠ CONNECTOR KEEP OUT ZONE.
- ⚠ POWER CONTACT REFERENCE:  
 PART NUMBER: 1600960 & 1600961  
 MATERIAL: COPPER ALLOY  
 FINISH (INTERFACE): .0000030 Au OVER .0000050 Ni



REF: POWER SECONDARY LOCK  
 PART NUMBER: 1600903-1

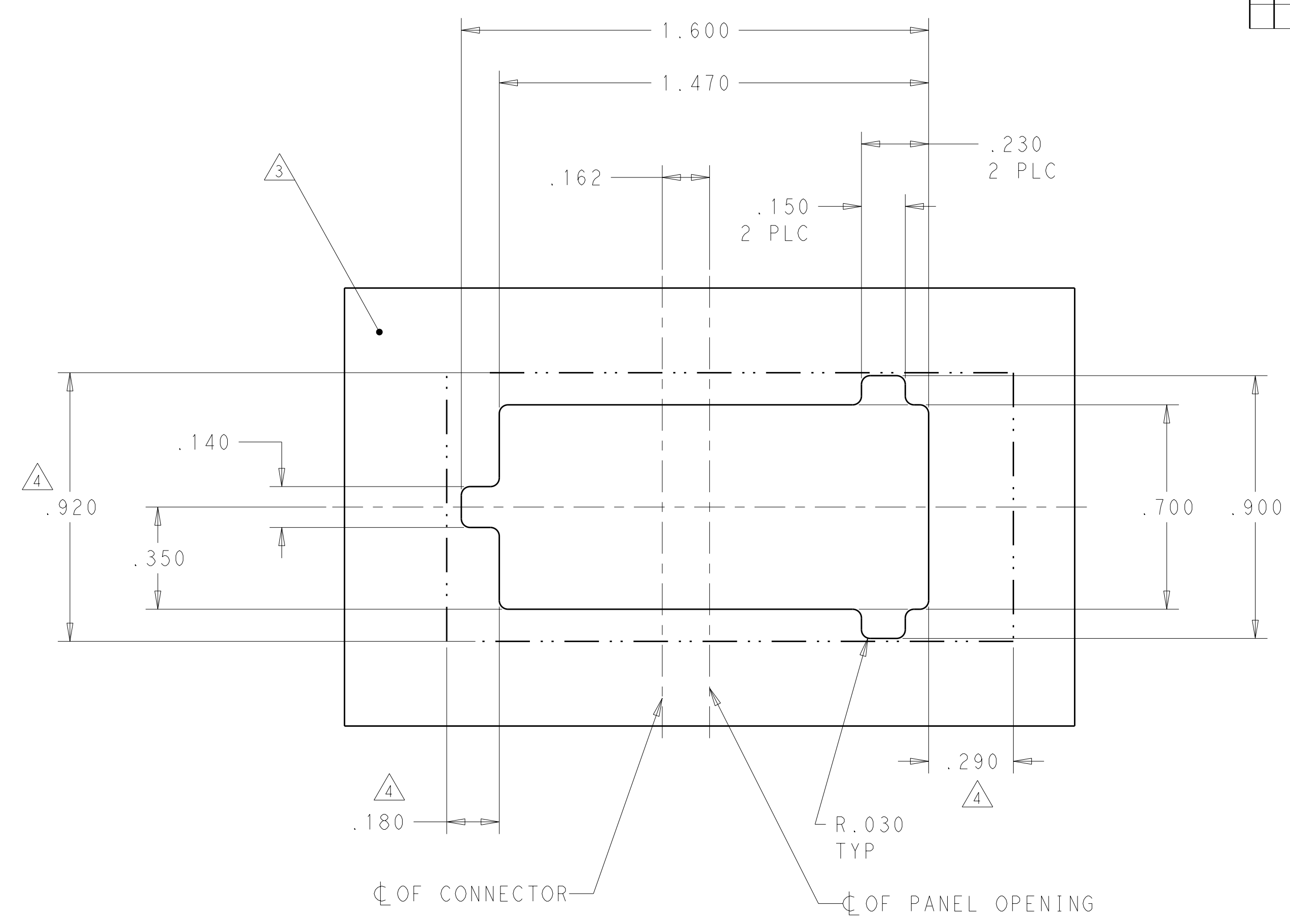


4P	1892981-1
DESCRIPTION	PART NUMBER

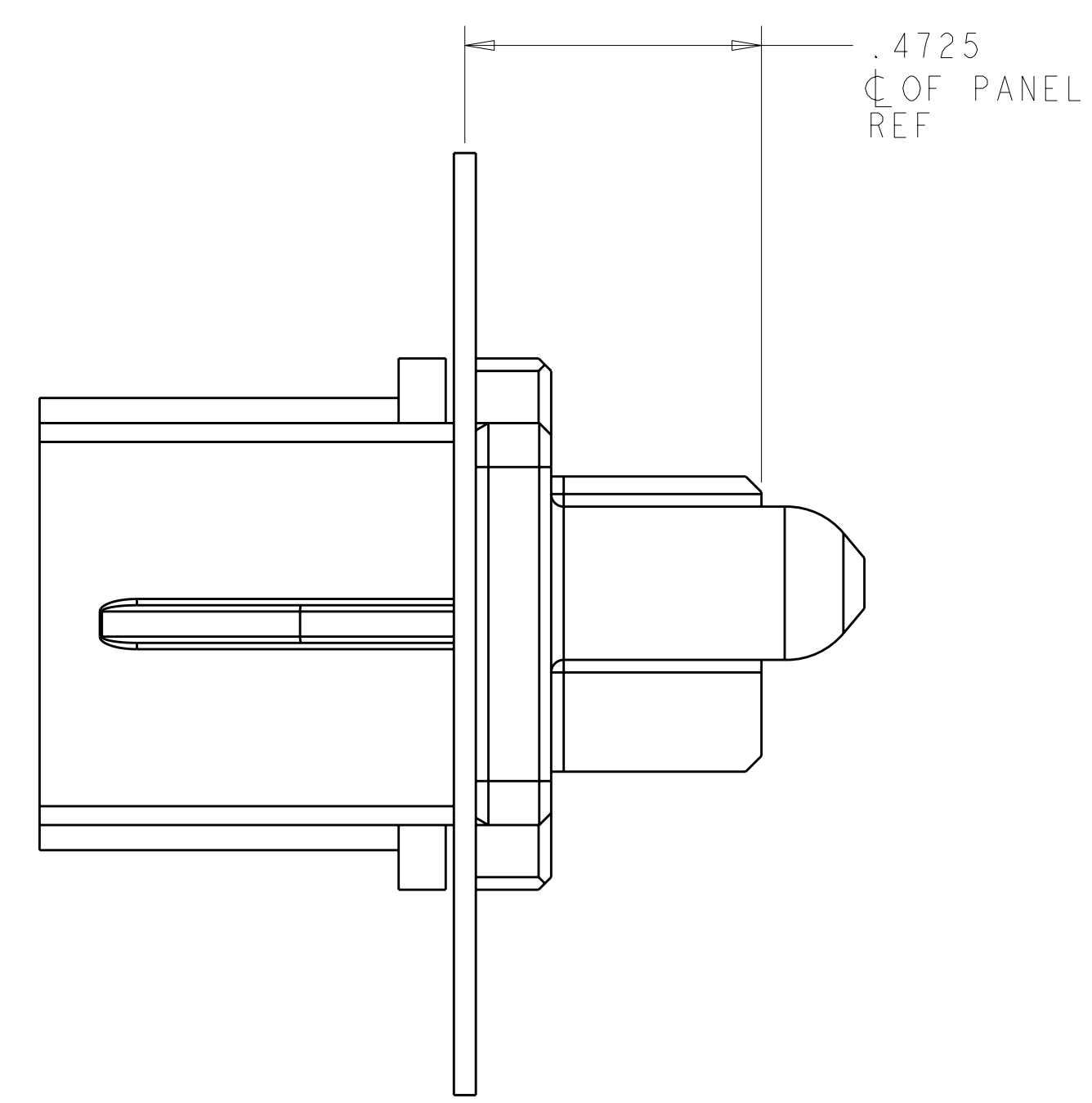
<small>THIS DRAWING IS UNPUBLISHED. RELEASED FOR PUBLICATION BY TYCO ELECTRONICS CORPORATION. ALL INTERNATIONAL RIGHTS RESERVED. THIS IS SUBJECT TO CHANGE WITHOUT NOTICE. THE USER SHALL BE RESPONSIBLE FOR OBTAINING THE LATEST REVISION. SHOULD BE CONTACTED FOR THE LATEST REVISION.</small>		DWN: L.LEE 12MAR2010 CHK: S.ZHAO 12MAR2010 APVD: S.YAO 12MAR2010	Tyco Electronics Corporation Shanghai, P.R.China, 200233
DIMENSIONS: INCHES 	TOLERANCES UNLESS OTHERWISE SPECIFIED: 9 PLC ± 7 PLC ± 5 PLC ±.005 4 PLC ±.0020 ANGLES ±.2° FINISH	NAME: S.LEE PRODUCT SPEC: APPLICATION SPEC: WEIGHT: CUSTOMER DRAWING	NAME: SLIDE TO LOCK PANEL MOUNT CABLE RECEPTACLE HOUSING WITH SLIM GUIDES, MULTI-BEAM XLE SIZE: A100779 CAGE CODE: C=1892981 SCALE: 4:1 SHEET: 1 OF 2 REV: A

LOC	DIST	REV	DATE	BY	APPD
ES	00				
REVISIONS			DESCRIPTION	DATE	DWN
-			SEE SHEET 1	-	-

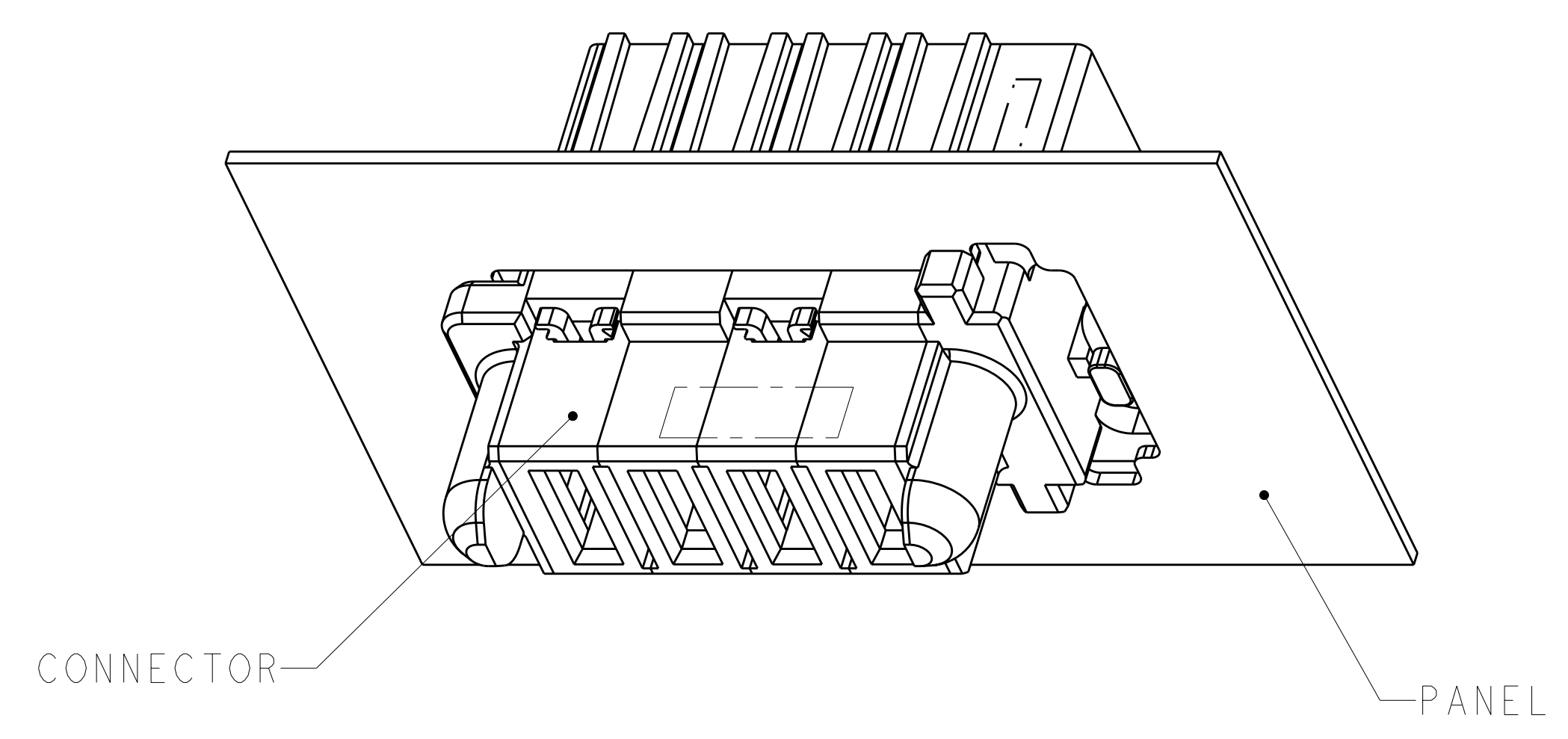
PART NUMBER	POWER			
	P4	P3	P2	P1
1892981-1	RA	RA	RA	RA
4P				



# PANEL LAYOUT



SCALE 4:1



RM	STANDARD POWER CONTACT
RA	MFBL POWER CONTACT
CODE	DESCRIPTION
CONTACT TABLE	

<small>THIS DRAWING IS UNPUBLISHED. RELEASED FOR PUBLICATION 20. THIS IS SUBJECT TO CHANGE WITHOUT NOTICE. THE USER SHALL BE RESPONSIBLE FOR VERIFYING THE DIMENSIONS AND TOLERANCES OF THE PARTS AND ASSEMBLIES. CONTACT THE SUPPLIER FOR THE LATEST REVISION.</small>		DWN: L. LEE 12MAR2010 CHK: S. ZHAO 12MAR2010 APVD: S. YAO 12MAR2010	Tyco Electronics Corporation Shanghai, P.R.China, 200233
DIMENSIONS: INCHES TOLERANCES UNLESS OTHERWISE SPECIFIED: 0 PLC ± 1 PLC ± 2 PLC ± 3 PLC ±.005 4 PLC ±.0020 ANGLES ±2° FINISH: -	NAME: SLIDE TO LOCK PANEL MOUNT CABLE RECEPTACLE HOUSING WITH SLIM GUIDES, MULTI-BEAM XLE PRODUCT SPEC: - APPLICATION SPEC: - WEIGHT: - CUSTOMER DRAWING	SIZE: A100779 CAGE CODE: C=1892981 SCALE: 4:1 SHEET: 2 OF 2 REV: A	RESTRICTED TO: -