



Chipsmall Limited consists of a professional team with an average of over 10 year of expertise in the distribution of electronic components. Based in Hongkong, we have already established firm and mutual-benefit business relationships with customers from,Europe,America and south Asia,supplying obsolete and hard-to-find components to meet their specific needs.

With the principle of "Quality Parts,Customers Priority,Honest Operation,and Considerate Service",our business mainly focus on the distribution of electronic components. Line cards we deal with include Microchip,ALPS,ROHM,Xilinx,Pulse,ON,Everlight and Freescale. Main products comprise IC,Modules,Potentiometer,IC Socket,Relay,Connector.Our parts cover such applications as commercial,industrial, and automotives areas.

We are looking forward to setting up business relationship with you and hope to provide you with the best service and solution. Let us make a better world for our industry!



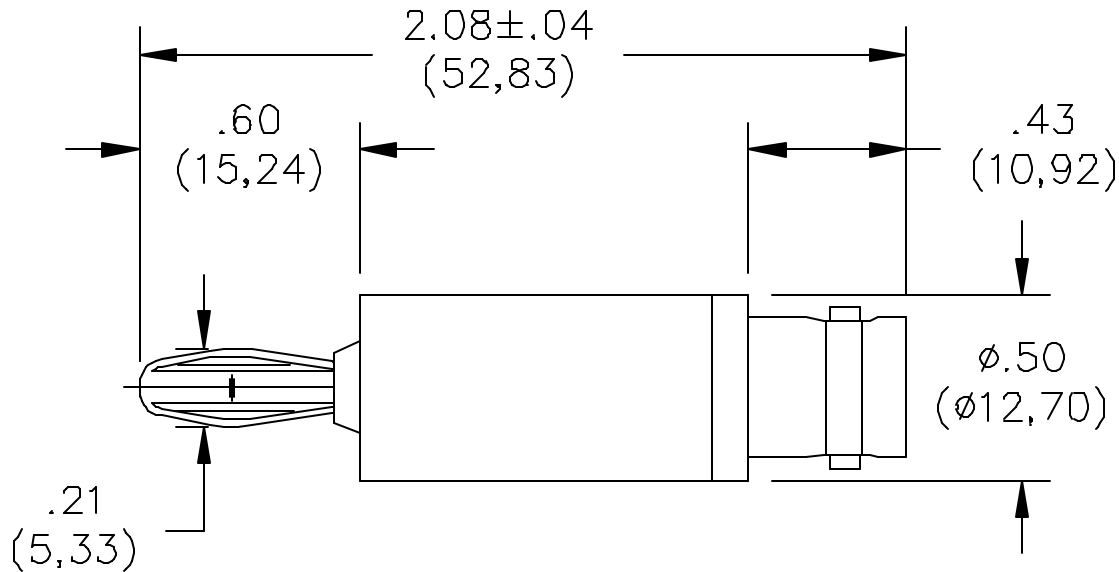
Contact us

Tel: +86-755-8981 8866 Fax: +86-755-8427 6832

Email & Skype: info@chipsmall.com Web: www.chipsmall.com

Address: A1208, Overseas Decoration Building, #122 Zhenhua RD., Futian, Shenzhen, China





FEATURES:

- Adapts banana jack test instruments for BNC Cable Assemblies.
- Banana plug spring is nickel-plated Beryllium Copper and BNC spring is gold plated Beryllium Copper for low contact resistance and long insertion life.
- Schematic: BNC center contact to Banana Plug, BNC shell is a no connect.

MATERIALS:

BNC Female: Body – Brass, Nickel Plated, Female Spring – Beryllium Copper, Gold Plated.

Insulation: ABS, Color – Black, Marking: “1894 Pomona Electronics, Calif.”

Banana Plug: Body – Brass, Nickel Plated, Spring – Beryllium Copper, Nickel Plated

RATING:

Operating Voltage: Hand-held testing: 30VAC/60VDC Max.

Hands free testing in controlled voltage environments: 500 VRMS Max.

Operating Temperature: +50°C (+122°F)

ORDERING INFORMATION: Model 1894

All dimensions are in inches. Tolerances (except noted): .xx = $\pm .02$ " (.51 mm), .xxx = $\pm .005$ " (.127 mm).

All specifications are to the latest revisions. Specifications are subject to change without notice.

Registered trademarks are the property of their respective companies. Made in USA