



Chipsmall Limited consists of a professional team with an average of over 10 year of expertise in the distribution of electronic components. Based in Hongkong, we have already established firm and mutual-benefit business relationships with customers from,Europe,America and south Asia,supplying obsolete and hard-to-find components to meet their specific needs.

With the principle of “Quality Parts,Customers Priority,Honest Operation,and Considerate Service”,our business mainly focus on the distribution of electronic components. Line cards we deal with include Microchip,ALPS,ROHM,Xilinx,Pulse,ON,Everlight and Freescale. Main products comprise IC,Modules,Potentiometer,IC Socket,Relay,Connector.Our parts cover such applications as commercial,industrial, and automotives areas.

We are looking forward to setting up business relationship with you and hope to provide you with the best service and solution. Let us make a better world for our industry!



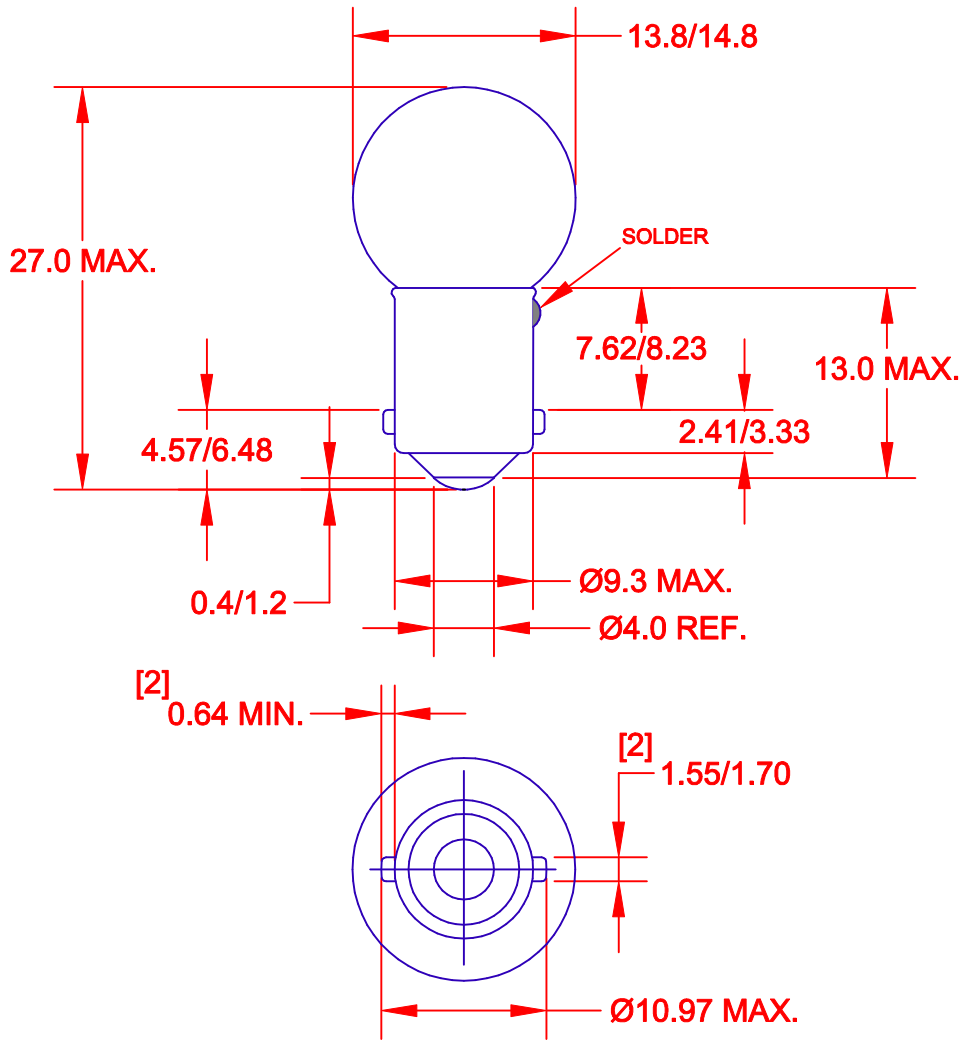
Contact us

Tel: +86-755-8981 8866 Fax: +86-755-8427 6832

Email & Skype: info@chipsmall.com Web: www.chipsmall.com

Address: A1208, Overseas Decoration Building, #122 Zhenhua RD., Futian, Shenzhen, China





| JKL LAMP NUMBER | VOLTS RATED | AMPS ±10% | MSCP ±25% | LUMENS ±25% | AVERAGE LIFE HRS. | FILAMENT TYPE |
|-----------------|-------------|-----------|-----------|-------------|-------------------|---------------|
| 55 | 7.0 | .410 | 2.00 | 25.14 | 500 | C-2R |
| 57 | 14.0 | .240 | 2.00 | 25.14 | 500 | C-2F |
| *257 | 14.0 | .270 | 1.60 | 20.11 | 500 | C-2R |
| 1895 | 14.0 | .270 | 2.00 | 25.14 | 2,000 | C-2F |

* FLASHER TYPE LAMP.

NOTES:

1. FLASHER TYPE LAMPS HAVE A BI-METAL STRIP ADDED TO THE FILAMENT MOUNT TO PROVIDE THE FLASHING. HEAT FROM THE FILAMENT CAUSES THIS STRIP TO BEND AWAY FROM THE LEAD WIRE, BREAKING THE CIRCUIT. AS THE BI-METAL STRIP COOLS IT RETURNS TO ITS ORIGINAL POSITION AGAINST THE LEAD WIRE AND THE LAMP LIGHTS.
2. FLASHER TYPE LAMPS ARE DESIGNED TO RANDOMLY BLINK AT THE APPROXIMATE RATE OF 50-150 FLASHERS PER MINUTE AT NORMAL ROOM TEMPERATURE, SOME WILL BE OUTSIDE THIS RANGE. AS AMBIENT TEMPERATURE AND/OR INPUT VOLTAGE CHANGES, THE FLASH RATE MAY VARY CONSIDERABLY.

METRIC

THIRD ANGLE PROJECTION

DIMENSIONS ARE IN MILLIMETERS
TOLERANCE UNLESS OTHERWISE SPECIFIED
1 PL +/- 0.2
2 PL +/- 0.20
ANGLE +/- 0

DRAWN BY L. WENGSTROM
APPVD BY QC
DATE 9/7/01

- CAD DRAWING -
MANUAL REVISIONS NOT PERMITTED

JKL COMPONENTS CORPORATION

TITLE
G-4 1/2 SINGLE CONTACT BAYONET BASE LAMP

| | | |
|----------|---------------------------|------------|
| REV. NO. | DESCRIPTION/ECO NUMBER | APPVD DATE |
| B | #57 FILAMENT C-2V TO C-2F | 9/7/01 |
| A | ADD NOTES | 6/14/01 |
| | RELEASED AS CAD | 3/8/01 |

| | | |
|-------------------|-----------------------------|---|
| SIZE A | FSCM NO. 55335 | DRAWING NO. BAYONET SINGLE CONTACT G-4 1/2 |
| SCALE NONE | RELEASED DATE 3/8/01 | REVISION DATE 9/7/01 |
| | REV. NO. B | SHEET 1 OF 1 |