



Chipsmall Limited consists of a professional team with an average of over 10 year of expertise in the distribution of electronic components. Based in Hongkong, we have already established firm and mutual-benefit business relationships with customers from,Europe,America and south Asia,supplying obsolete and hard-to-find components to meet their specific needs.

With the principle of “Quality Parts,Customers Priority,Honest Operation,and Considerate Service”,our business mainly focus on the distribution of electronic components. Line cards we deal with include Microchip,ALPS,ROHM,Xilinx,Pulse,ON,Everlight and Freescale. Main products comprise IC,Modules,Potentiometer,IC Socket,Relay,Connector.Our parts cover such applications as commercial,industrial, and automotives areas.

We are looking forward to setting up business relationship with you and hope to provide you with the best service and solution. Let us make a better world for our industry!



Contact us

Tel: +86-755-8981 8866 Fax: +86-755-8427 6832

Email & Skype: info@chipsmall.com Web: www.chipsmall.com

Address: A1208, Overseas Decoration Building, #122 Zhenhua RD., Futian, Shenzhen, China



THIS DRAWING IS UNPUBLISHED.

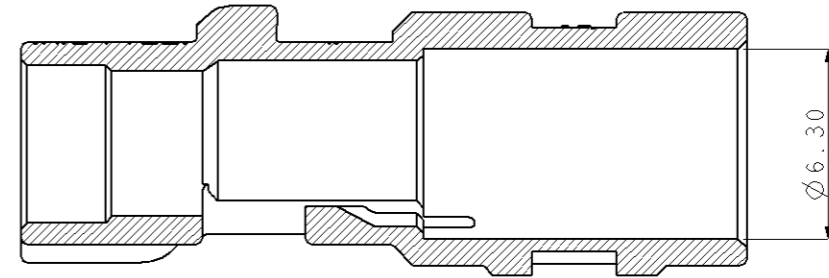
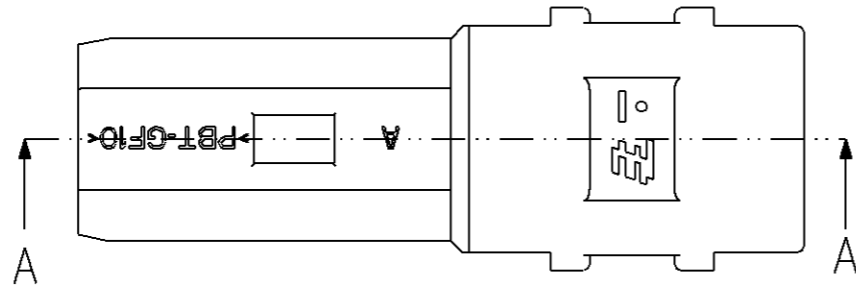
RELEASED FOR PUBLICATION

20

© COPYRIGHT 20

BY TYCO ELECTRONICS CORPORATION. ALL RIGHTS RESERVED.

LOC	DIST	REVISIONS					
		P	LTR	DESCRIPTION	DATE	DWN	APVD
DS	-		A	RELEASED	23. AUG. '08	GH	JK



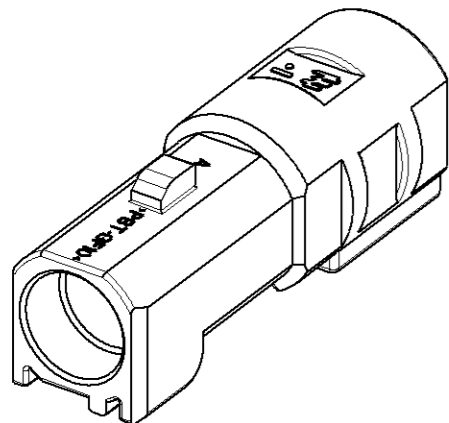
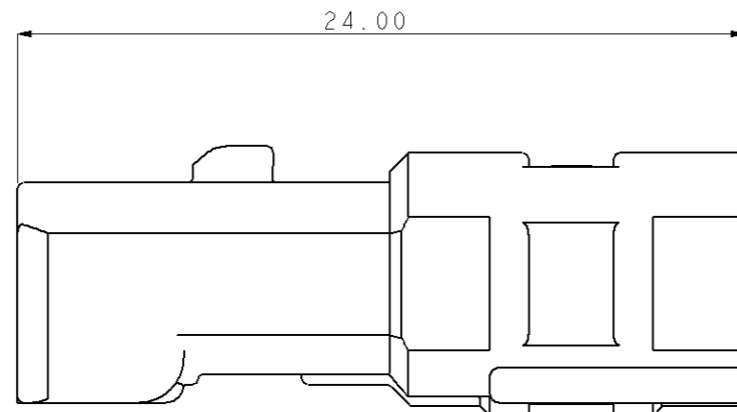
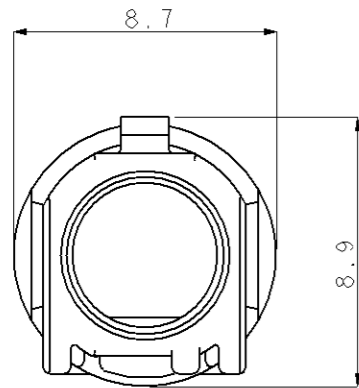
SECTION A - A

TABLE 1. REC. CONTACT

WIRE TYPE	DRAWING NO.	DESCRIPTION	ORDER NO.
RG 174/316	1488571	CENTER CONTACT	1418971-1
		SUBASSY	1488154-1
		FERRULE	1-413889-3
	1719795	CENTER CONTACT	1418971-1
		SUBASSY	1719793-1
		FERRULE	1-413889-3

NOTE ;

1. GENERAL TOLERANCE : ± 0.3 , $\pm 3.0^\circ$
2. APPLICABLE TAB CONTACT : SEE TABLE 1.
3. THE MATING CAP HSG P/N : 1897373
4. THE MATING CLIP P/N : 1897480



1897374-8	PLUG HSG	PBT-GF10	BLUE
1897374-7	PLUG HSG	PBT-GF10	GREEN
1897374-4	PLUG HSG	PBT-GF10	BROWN
1897374-2	PLUG HSG	PBT-GF10	BLACK
PART NO.	DESCRIPTION	MATERIAL	COLOR

THIS DRAWING IS A CONTROLLED DOCUMENT FOR TYCO ELECTRONICS CORPORATION IT IS SUBJECT TO CHANGE AND THE CONTROLLING ENGINEERING ORGANIZATION SHOULD BE CONTACTED FOR THE LATEST REVISION.		DWN GH KIM 23.AUG.'08	tyco AMP, KOREA	
DIMENSIONS: mm		CHK KT LIM	Electronics kyungsan, korea	
TOLERANCES UNLESS OTHERWISE SPECIFIED: 0 PLC $\pm .5$ 1 PLC $\pm .5$ 2 PLC ± 0.13 3 PLC ± 0.013 4 PLC ± 0.0001 ANGLES \pm		APVD JK SONG	NAME -	
MATERIAL -		PRODUCT SPEC -	RF SMB PLUG HSG	
FINISH -		APPLICATION SPEC -	SIZE A300779	RESTRICTED TO -
		WEIGHT -	CAGE CODE C-1897374	DRAWING NO -
		CUSTOMER DRAWING	SCALE 4:1	SHEET 1 OF 1
				REV A