



Chipsmall Limited consists of a professional team with an average of over 10 year of expertise in the distribution of electronic components. Based in Hongkong, we have already established firm and mutual-benefit business relationships with customers from,Europe,America and south Asia,supplying obsolete and hard-to-find components to meet their specific needs.

With the principle of "Quality Parts,Customers Priority,Honest Operation,and Considerate Service",our business mainly focus on the distribution of electronic components. Line cards we deal with include Microchip,ALPS,ROHM,Xilinx,Pulse,ON,Everlight and Freescale. Main products comprise IC,Modules,Potentiometer,IC Socket,Relay,Connector.Our parts cover such applications as commercial,industrial, and automotives areas.

We are looking forward to setting up business relationship with you and hope to provide you with the best service and solution. Let us make a better world for our industry!



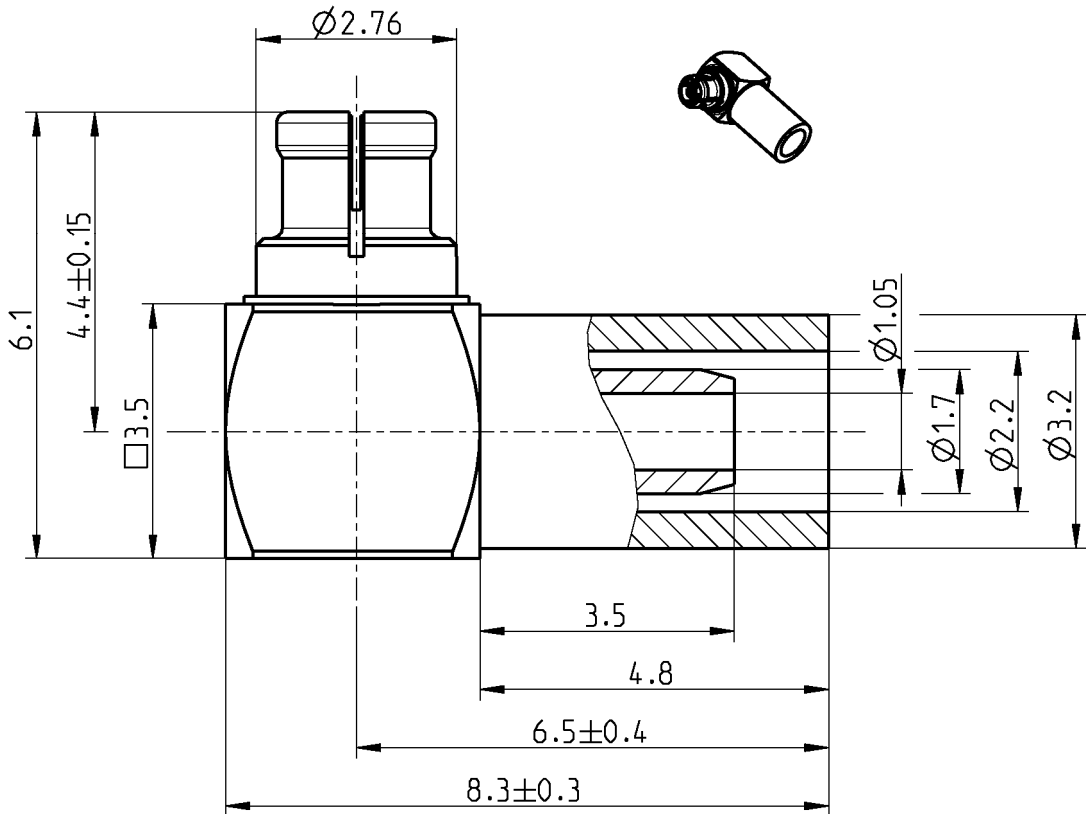
Contact us

Tel: +86-755-8981 8866 Fax: +86-755-8427 6832

Email & Skype: info@chipsmall.com Web: www.chipsmall.com

Address: A1208, Overseas Decoration Building, #122 Zhenhua RD., Futian, Shenzhen, China





All dimensions are in mm; tolerances acc. ISO 2768 m-H

Interface

According to

MIL-STD-348

Mateable with GPPO™ (Gilbert Engineering Co., Inc.)
and SSMP™ (Connectors Devices, Inc.)

Documents

Assembly instruction

18 C

Material and plating

Connector parts

- Center contact
- Outer contact
- Body
- Dielectric
- Crimping ferrule

Material

- CuBe
- CuBe
- Brass
- PTFE
- Copper

Plating

- AuroDur®, gold plated
- AuroDur®, gold plated
- AuroDur®, gold plated
- AuroDur®, gold plated

Electrical data

Impedance	50 Ω
Frequency	DC to 65 GHz
Return loss	≥ 20 dB, DC to 4 GHz ≥ 15 dB, 4 to 10 GHz
Insertion loss	≤ 0.05 x √f(GHz) dB
Insulation resistance	≥ 5 GΩ
Center contact resistance	≤ 6.0 mΩ
Outer contact resistance	≤ 2.0 mΩ
Working voltage (at sea level)	325 V rms
(at 70000 feet)	125 V rms

- Limitations are possible due to the used cable type -

Mechanical data

Mating cycles	
if mating part is smooth bore	≥ 500
if mating part is full detent	≥ 100
Center contact captivation	≥ 7 N
Engagement force	
- smooth bore	11 N typical
- full detent	19 N typical
Disengagement force	
- smooth bore	11 N typical
- full detent	29 N typical

Environmental data

Temperature range	-55°C to +155°C
Thermal shock	MIL-STD-202, Method 107, Condition B
Vibration	MIL-STD-202, Method 204, Condition A
Shock	MIL-STD-202, Method 213, Condition A
Moisture resistance	MIL-STD-202, Method 106
Climatic Category	IEC 60068 55/155/21
RoHS	compliant

Tooling

Crimping tool	11W150-000
Crimp insert	11W150-101

Suitable cables

RG 196 A/U, RG 178 A/U

Weight

Weight	0.5 g/pce
--------	-----------

While the information has been carefully compiled to the best of our knowledge, nothing is intended as representation or warranty on our part and no statement herein shall be construed as recommendation to infringe existing patents. In the effort to improve our products, we reserve the right to make changes judged to be necessary.

Draft	Date	Approved	Date	Rev.	Engineering change number	Name	Date
J. Wengler	25/01/08	B. Aicher	03.03.16	d00	15-1674	Fl. Öllerer	03.03.16
Rosenberger Hochfrequenztechnik GmbH & Co. KG P.O.Box 1260 D-84526 Tittmoning Germany www.rosenberger.de						Tel.: +49 8684 18-0 email: info@rosenberger.de	
							Page 2 / 2