



Chipsmall Limited consists of a professional team with an average of over 10 year of expertise in the distribution of electronic components. Based in Hongkong, we have already established firm and mutual-benefit business relationships with customers from,Europe,America and south Asia,supplying obsolete and hard-to-find components to meet their specific needs.

With the principle of “Quality Parts,Customers Priority,Honest Operation,and Considerate Service”,our business mainly focus on the distribution of electronic components. Line cards we deal with include Microchip,ALPS,ROHM,Xilinx,Pulse,ON,Everlight and Freescale. Main products comprise IC,Modules,Potentiometer,IC Socket,Relay,Connector.Our parts cover such applications as commercial,industrial, and automotives areas.

We are looking forward to setting up business relationship with you and hope to provide you with the best service and solution. Let us make a better world for our industry!



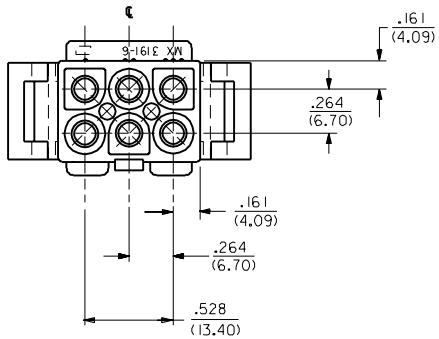
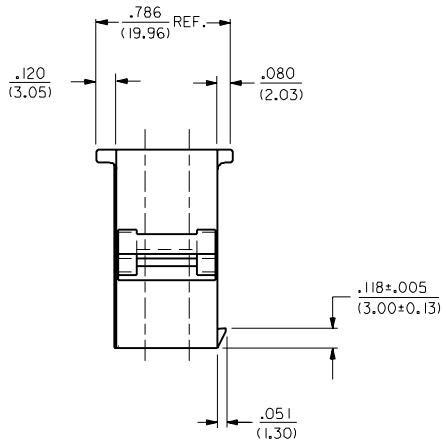
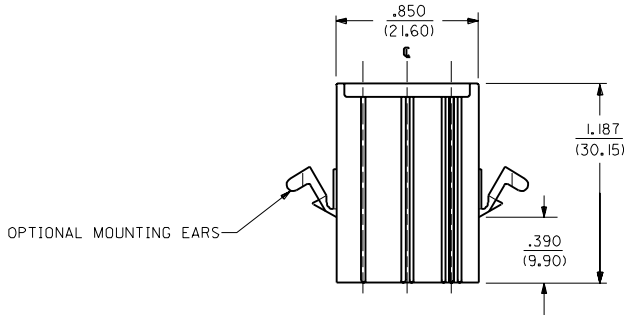
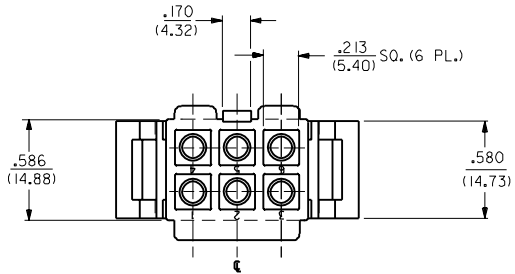
Contact us

Tel: +86-755-8981 8866 Fax: +86-755-8427 6832

Email & Skype: info@chipsmall.com Web: www.chipsmall.com

Address: A1208, Overseas Decoration Building, #122 Zhenhua RD., Futian, Shenzhen, China

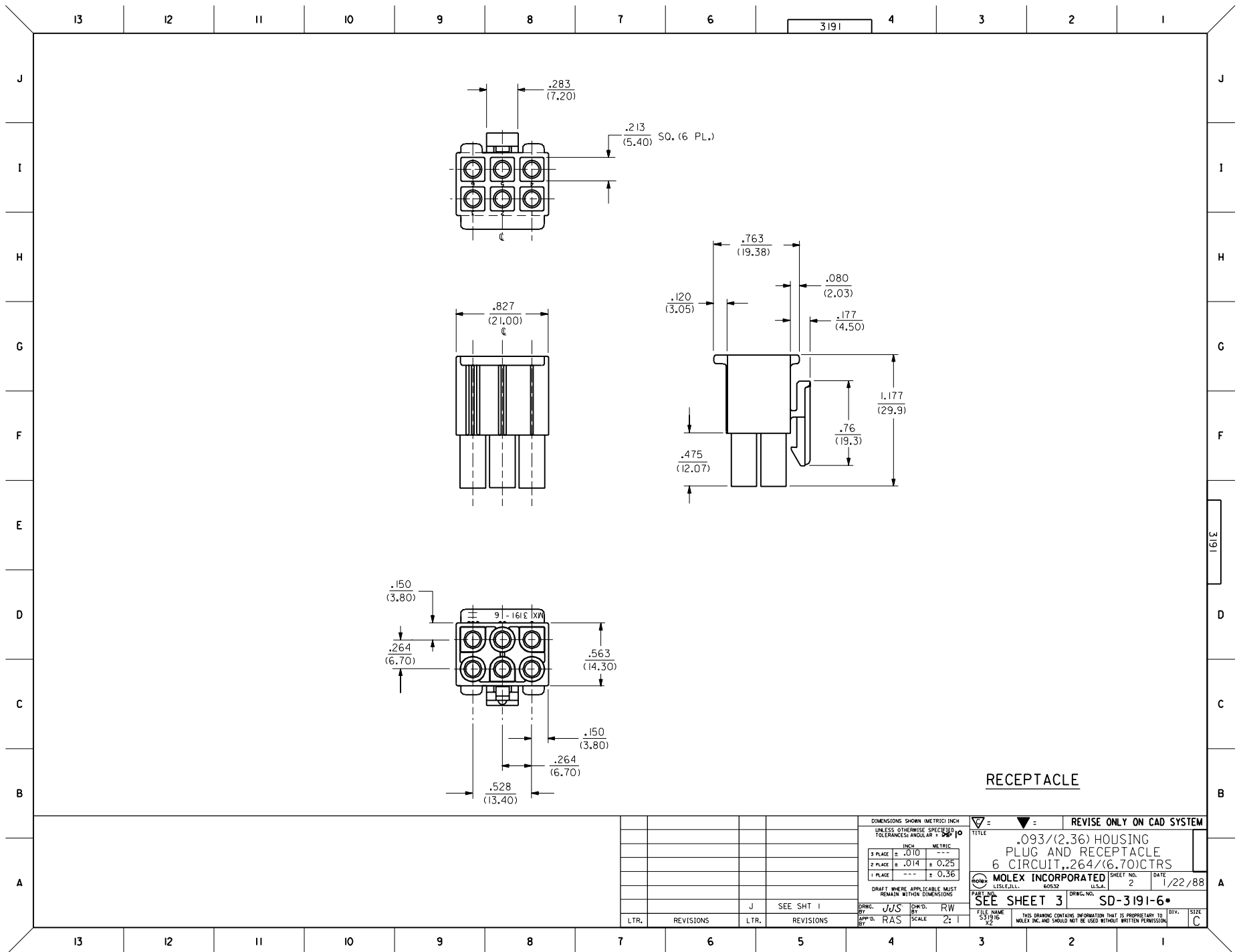




PLUG

| | |
|------|---|
| MI | ADD RAMP LENGTH ECN #U4 0293 3-1-94 RW |
| M | REVISED PER ECR # U90659 KBW 07-25-89 RW |
| L | ADDED STANDOFFS PER ECR UB 2271 GEP 11-30-88 RW |
| K | REV. & FINAL REL. ECR UB 1710 GEP 7-14-88 RW |
| J | REVISED & REDRAWN PER ECR UB 0122 2-2-88 SCHAFFER |
| MFG. | SH. REV. LTR. REVISIONS |

| | | | | |
|---|-------------|---|-------|---------------------------|
| DIMENSIONS SHOWN METRIC (INCH) | | ▽ = 0 | ▼ = 0 | REVISE ONLY ON CAD SYSTEM |
| UNLESS OTHERWISE SPECIFIED TOLERANCES ANGULAR ± 0° 10' | | TITLE | | |
| INCH METRIC | | .093/(2.36) HOUSING PLUG AND RECEPTACLE 6 CKT. .264/(6.70) CTRS. | | |
| 3 PLACE ± .010 --- | --- | MOLEX INCORPORATED SHEET NO. DATE L15LEJLL 60532 U.S.A. 1 OF 3 1/25/88 | | |
| 2 PLACE ± .014 ± 0.25 | --- | PART NO. DRWG. NO. SEE CHART SD-3191-6* | | |
| 1 PLACE --- ± 0.36 | --- | FILE NAME S31916.X1 | | |
| DRAFT WHERE APPLICABLE MUST REMAIN WITHIN DIMENSIONS | | SCALE 2 : 1 | | |
| DRWG. BY JJS | CHKD. BY RW | THIS DRAWING CONTAINS INFORMATION THAT IS PROPRIETARY TO MOLEX INC. AND SHOULD NOT BE USED WITHOUT WRITTEN PERMISSION. | | |
| APP'D. BY RAS | SCALE 2 : 1 | SIZE CP C | | |



RECEPTACLE

DIMENSIONS SHOWN (METRIC) INCH
UNLESS OTHERWISE SPECIFIED
TOLERANCES ANGULAR ± .01°

| | INCH | METRIC |
|---------|--------|--------|
| 3 PLACE | ± .010 | --- |
| 2 PLACE | ± .014 | ± 0.25 |
| 1 PLACE | --- | ± 0.36 |

DRAFT WHERE APPLICABLE MUST REMAIN WITHIN DIMENSIONS

REVISIONS

TITLE
.093/(2.36) HOUSING
PLUG AND RECEPTACLE
6 CIRCUIT, .264/(6.70) CTRS

| | | |
|---|--------------------------------|----------------|
| MOLEX INCORPORATED LITTLE ROCK, AR 60532 U.S.A. | SHEET NO. | DATE |
| | 2 | 1/22/88 |
| PART NO. SEE SHEET 3 | DRWG. NO. SD-3191-6* | DIV. SIZE C |

| LTR. | REVISIONS | LTR. | REVISIONS |
|------|-----------|------|-----------|
| | | J | SEE SHT 1 |

DRWG. BY: JUS
CHK'D. BY: RW
APP'D. BY: RAS
SCALE: 2:1

THIS DRAWING CONTAINS INFORMATION THAT IS PROPRIETARY TO MOLEX INC. AND SHOULD NOT BE USED WITHOUT WRITTEN PERMISSION

13 12 11 10 9 8 7 6 3191 4 3 2 1

| PLUG | | RECEPTACLE | |
|------------|--------------|------------|--------------|
| PART NO. | ENG. NO. | PART NO. | ENG. NO. |
| 19-09-2068 | 3191-6P | 19-09-1069 | 3191-6RI |
| 19-09-2069 | 3191-6P1 | 19-09-1066 | 3191-6RI-201 |
| 19-09-2067 | 3191-6P-201 | 19-09-6060 | 3191-6RIRD |
| 19-09-2066 | 3191-6P1-201 | 19-09-6069 | 3191-6RIBK |
| 19-09-7069 | 3191-6PRD | | |
| 19-09-7068 | 3191-6PBK | | |

LEGEND:

3191-6****-*

CIRCUIT SIZE

P = PLUG

R = RECEPTACLE

EARS: BLANK = WITH PREBENT EARS (PLUG ONLY)

I = WITHOUT EARS

COLOR: BLANK = NATURAL COLOR

AM=AMBER BK=BLACK BU=BLUE

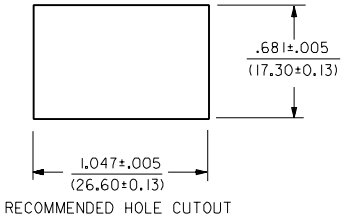
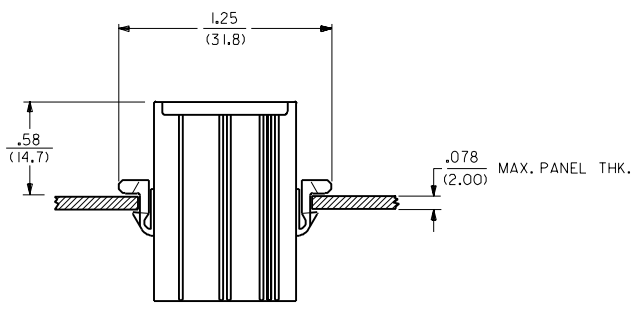
BN=BROWN GY=GRAY GN=GREEN

OR=ORANGE RD=RED YW=YELLOW

COLORS AVAILABLE ONLY IN 94V-2 MATERIAL

MATERIAL: BLANK=NYLON TYPE 6/6, 94V-2

201=NYLON TYPE 6/6, 94V-0



MOUNTING HOLE DETAIL

3191

| | | | | | |
|--|-----------|---|-----------|--|--|
| DIMENSIONS SHOWN (METRIC) INCH | | UNLESS OTHERWISE SPECIFIED TOLERANCES: ANGLES .015 + .004 | | REVISIONS ONLY ON CAD SYSTEM | |
| 3 PLACE | ± .010 | --- | --- | | |
| 2 PLACE | ± .014 | ± 0.25 | --- | | |
| 1 PLACE | --- | ± 0.36 | --- | | |
| DRAFT WHERE APPLICABLE MUST REMAIN WITHIN DIMENSIONS | | | | | |
| DRWG. BY | JJS | CHK'D. BY | RW | | |
| APP'D. BY | RAS | SCALE | --- | | |
| LTR. | REVISIONS | LTR. | REVISIONS | | |
| | | | | TITLE: .093/(2.36) HOUSINGS PLUG AND RECEPTACLE 6 CKT., .264/(6.70) CTRS. | |
| | | | | MOLEX INCORPORATED U.S.A. SHEET NO. 3 DATE 1/22/88 | |
| | | | | PART NO. SEE CHART SD-3191-6* | |
| | | | | THIS DRAWING CONTAINS INFORMATION THAT IS PROPRIETARY TO MOLEX INC. AND SHOULD NOT BE USED WITHOUT WRITTEN PERMISSION CPIC | |

13 12 11 10 9 8 7 6 5 4 3 2 1