



Chipsmall Limited consists of a professional team with an average of over 10 year of expertise in the distribution of electronic components. Based in Hongkong, we have already established firm and mutual-benefit business relationships with customers from,Europe,America and south Asia,supplying obsolete and hard-to-find components to meet their specific needs.

With the principle of “Quality Parts,Customers Priority,Honest Operation,and Considerate Service”,our business mainly focus on the distribution of electronic components. Line cards we deal with include Microchip,ALPS,ROHM,Xilinx,Pulse,ON,Everlight and Freescale. Main products comprise IC,Modules,Potentiometer,IC Socket,Relay,Connector.Our parts cover such applications as commercial,industrial, and automotives areas.

We are looking forward to setting up business relationship with you and hope to provide you with the best service and solution. Let us make a better world for our industry!



Contact us

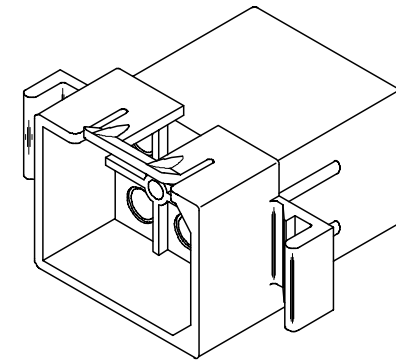
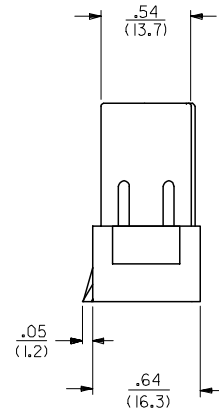
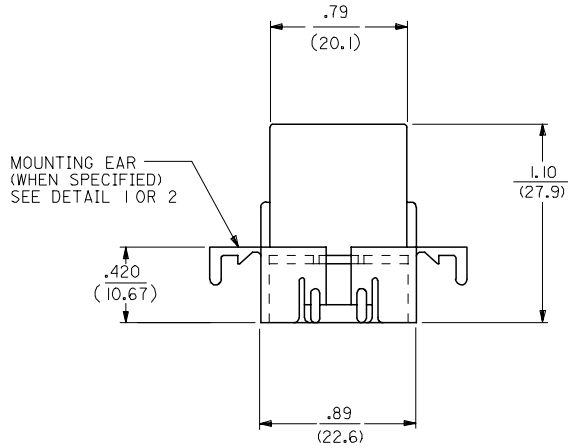
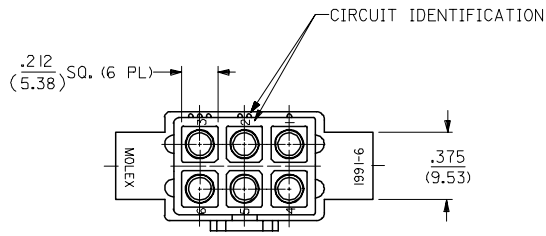
Tel: +86-755-8981 8866 Fax: +86-755-8427 6832

Email & Skype: info@chipsmall.com Web: www.chipsmall.com

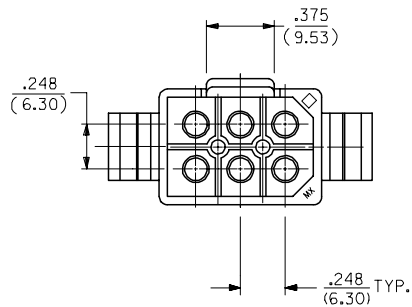
Address: A1208, Overseas Decoration Building, #122 Zhenhua RD., Futian, Shenzhen, China



PLUG

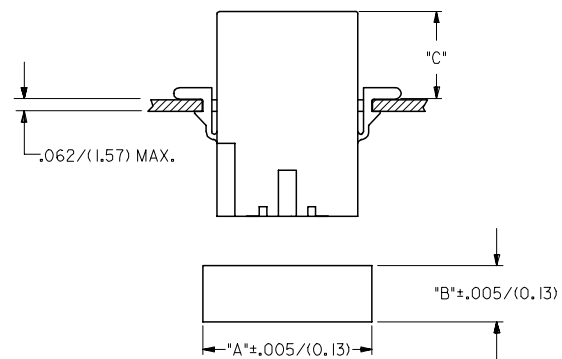


PLUG HOUSING



UPDATE TITLE BLOCK EC NO: UCP2007-1498 DRAWN: AELHAG 2007/04/04 CHKD: AELHAG 2007/04/04 APPR: FSM TH 2007/04/04 REV DESCRIPTION	QUALITY SYMBOLS	GENERAL TOLERANCES (UNLESS SPECIFIED)	DIMENSION STYLE	SCALE	DESIGN UNITS	THIRD ANGLE PROJECTION
	$\nabla=0$ $\nabla=0$	mm INCH 4 PLACES ± .010 ± .014 3 PLACES ± .010 ± .014 2 PLACES ± 0.25 ± .014 1 PLACE ± 0.36 ± .014 ANGULAR ± 1 °	IN/MM	2:1	INCH	□ THIRD ANGLE PROJECTION
			DRAWN BY	DATE	TITLE	
			CHECKED BY	DATE		
				APPROVED BY	DATE	
				RAS	1988/02/25	
				MATERIAL NO.	DOCUMENT NO.	SHEET NO.
				SEE CHART	SD-1991-6*	1 OF 3
		DRAFT WHERE APPLICABLE MUST REMAIN WITHIN DIMENSIONS		THIS DRAWING CONTAINS INFORMATION THAT IS PROPRIETARY TO MOLEX INCORPORATED AND SHOULD NOT BE USED WITHOUT WRITTEN PERMISSION		

PLUG			RECEPTACLE		
PART NO.	ENG. NO.	PKG. INFORMATION	PART NO.	ENG. NO.	PKG. INFORMATION
I9-09-2061	I991-6P	PK-1991-001	I9-09-1061	I991-6R	PK-1991-001
I9-09-2062	I991-6P1	PK-1991-001	I9-09-1062	I991-6R1	PK-1991-002
I9-09-7061	I991-6PBK	PK-1991-001	I9-09-6061	I991-6RBK	PK-1991-001
I9-09-7062	I991-6P1BK	PK-1991-001	I9-09-1068	I991-6R1-B	PK-1991-001

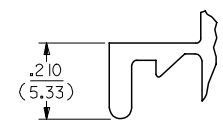


HOUSING	DIM. "A"	DIM. "B"	DIM."C" STD.EAR	DIM."C" PREBENT
PLUG	1.048/(26.62)	.658/(16.71)	.51/(12.9)	.52/(13.2)
RECEPTACLE	.946/(24.03)	.608/(15.44)	.53/(13.5)	.54/(13.7)

- NOTES:
- MATERIAL CODES:
A - NYLON TYPE 6/6, UL 94V-2
B - NYLON TYPE 6/6, UL 94V-0
 - FINISH: N/A
 - PRODUCT SPECIFICATION: PS-02-09
 - PACKAGING SPECIFICATION: SEE CHART
 - HOUSINGS FOR USE WITH MOLEX STD. .093/(2.36) TYPE TERMINALS.
 - PARTS CONFORM TO CLASS B REQUIREMENTS OF COSMETIC SPECIFICATION PS-45499-002.

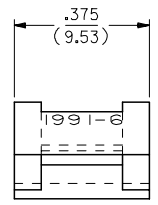
LEGEND:

- 1991-6****-*
- CIRCUIT SIZE
- P = PLUG
R = RECEPTACLE
- BLANK = WITH STANDARD EARS
1 = WITHOUT EARS
2 = WITH PREBENT EARS, PER DETAIL 2
- COLOR: BLANK=NATURAL COLOR
AM=AMBER BK=BLACK BU=BLUE
BN=BROWN CY=GRAY GN=GREEN
OR=ORANGE RD=RED YW=YELLOW
- BLANK = MATERIAL CODE A
B = MATERIAL CODE B



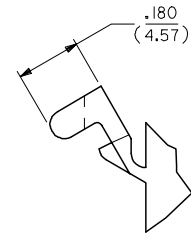
DETAIL 1

STANDARD MOUNTING EARS
(SCALE 4:1)



DETAIL 2

PREBENT MOUNTING EAR
(SCALE 4:1)



ADD NOTES 2,4&6 EC NO: UCP2007-1498 DRWNA:ELHAG 2007/04/04 CHKD:ALHAG 2007/04/04 APPR:FSM TH 2007/04/04 REVISIONS DESCRIPTION	QUALITY SYMBOLS	GENERAL TOLERANCES (UNLESS SPECIFIED)	DIMENSION STYLE IN/MM	SCALE 2:1	DESIGN UNITS INCH	THIRD ANGLE PROJECTION																																					
	$\nabla=0$ $\nabla=0$	<table border="1"> <thead> <tr> <th></th> <th>mm</th> <th>INCH</th> </tr> </thead> <tbody> <tr> <td>4 PLACES</td> <td>± .10</td> <td>± .004</td> </tr> <tr> <td>3 PLACES</td> <td>± .12</td> <td>± .005</td> </tr> <tr> <td>2 PLACES</td> <td>± .15</td> <td>± .006</td> </tr> <tr> <td>1 PLACE</td> <td>± .20</td> <td>± .008</td> </tr> </tbody> </table>		mm	INCH	4 PLACES	± .10	± .004	3 PLACES	± .12	± .005	2 PLACES	± .15	± .006	1 PLACE	± .20	± .008	<table border="1"> <thead> <tr> <th>DRAWN BY</th> <th>DATE</th> <th>TITLE</th> </tr> </thead> <tbody> <tr> <td>JJS</td> <td>1988/03/01</td> <td>.093/(2.36) HOUSINGS, PLUG AND RECEPTACLE, 6 CKT, .248/(6.30) CTRS.</td> </tr> <tr> <th>CHECKED BY</th> <th>DATE</th> <td></td> </tr> <tr> <td>RW</td> <td>1988/03/01</td> <td></td> </tr> <tr> <th>APPROVED BY</th> <th>DATE</th> <td></td> </tr> <tr> <td>RAS</td> <td>1988/03/01</td> <td></td> </tr> </tbody> </table>	DRAWN BY	DATE	TITLE	JJS	1988/03/01	.093/(2.36) HOUSINGS, PLUG AND RECEPTACLE, 6 CKT, .248/(6.30) CTRS.	CHECKED BY	DATE		RW	1988/03/01		APPROVED BY	DATE		RAS	1988/03/01		<table border="1"> <thead> <tr> <th>MATERIAL NO.</th> <th>DOCUMENT NO.</th> <th>SHEET NO.</th> </tr> </thead> <tbody> <tr> <td></td> <td></td> <td>3 OF 3</td> </tr> </tbody> </table>	MATERIAL NO.	DOCUMENT NO.	SHEET NO.			3 OF 3
		mm	INCH																																								
	4 PLACES	± .10	± .004																																								
3 PLACES	± .12	± .005																																									
2 PLACES	± .15	± .006																																									
1 PLACE	± .20	± .008																																									
DRAWN BY	DATE	TITLE																																									
JJS	1988/03/01	.093/(2.36) HOUSINGS, PLUG AND RECEPTACLE, 6 CKT, .248/(6.30) CTRS.																																									
CHECKED BY	DATE																																										
RW	1988/03/01																																										
APPROVED BY	DATE																																										
RAS	1988/03/01																																										
MATERIAL NO.	DOCUMENT NO.	SHEET NO.																																									
		3 OF 3																																									
<table border="1"> <thead> <tr> <th>SIZE</th> <th>DESCRIPTION</th> </tr> </thead> <tbody> <tr> <td>C</td> <td>SEE CHART</td> </tr> </tbody> </table>	SIZE	DESCRIPTION	C	SEE CHART	<table border="1"> <thead> <tr> <th>MOLEX</th> <th>DOCUMENT NO.</th> </tr> </thead> <tbody> <tr> <td></td> <td>SD-1991-6*</td> </tr> </tbody> </table>		MOLEX	DOCUMENT NO.		SD-1991-6*																																	
SIZE	DESCRIPTION																																										
C	SEE CHART																																										
MOLEX	DOCUMENT NO.																																										
	SD-1991-6*																																										
DRAFT WHERE APPLICABLE MUST REMAIN WITHIN DIMENSIONS		THIS DRAWING CONTAINS INFORMATION THAT IS PROPRIETARY TO MOLEX INCORPORATED AND SHOULD NOT BE USED WITHOUT WRITTEN PERMISSION																																									