



Chipsmall Limited consists of a professional team with an average of over 10 year of expertise in the distribution of electronic components. Based in Hongkong, we have already established firm and mutual-benefit business relationships with customers from,Europe,America and south Asia,supplying obsolete and hard-to-find components to meet their specific needs.

With the principle of “Quality Parts,Customers Priority,Honest Operation,and Considerate Service”,our business mainly focus on the distribution of electronic components. Line cards we deal with include Microchip,ALPS,ROHM,Xilinx,Pulse,ON,Everlight and Freescale. Main products comprise IC,Modules,Potentiometer,IC Socket,Relay,Connector.Our parts cover such applications as commercial,industrial, and automotives areas.

We are looking forward to setting up business relationship with you and hope to provide you with the best service and solution. Let us make a better world for our industry!



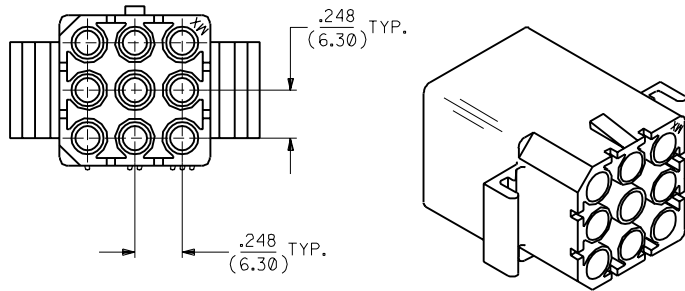
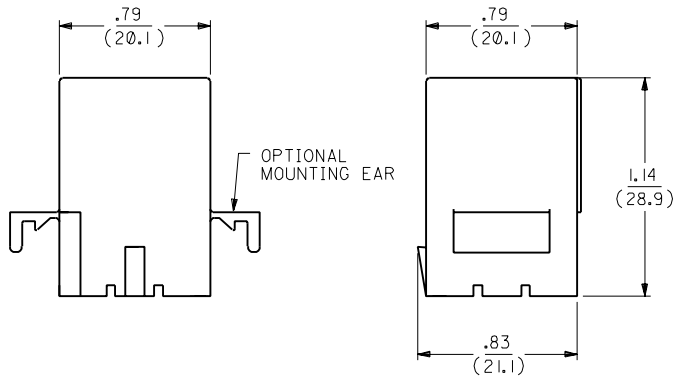
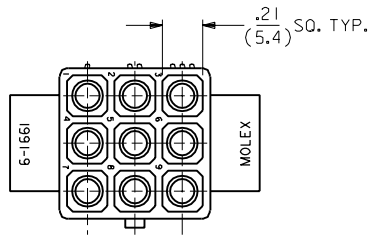
## Contact us

Tel: +86-755-8981 8866 Fax: +86-755-8427 6832

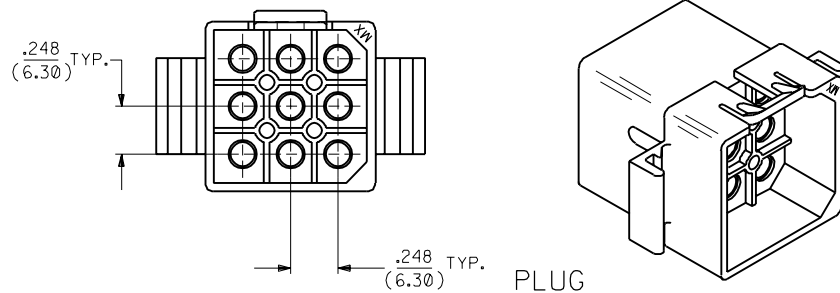
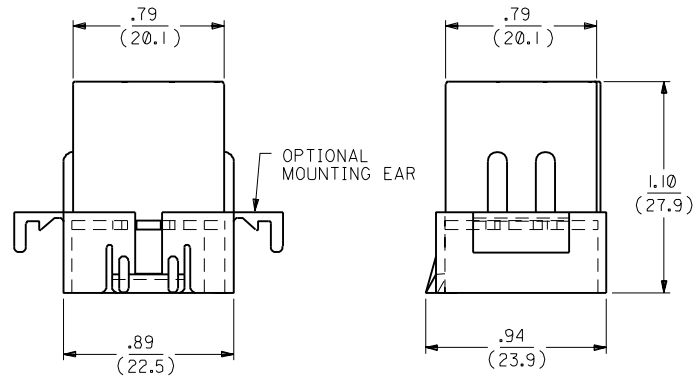
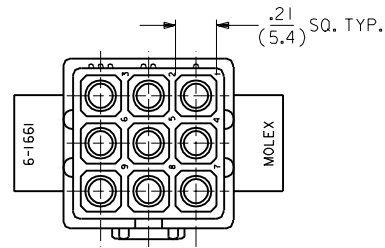
Email & Skype: info@chipsmall.com Web: www.chipsmall.com

Address: A1208, Overseas Decoration Building, #122 Zhenhua RD., Futian, Shenzhen, China





RECEPTACLE



PLUG

1	2	1			
1	1	1			
MFG.	SH.	REV.	LTR.	REV.	REVISIONS

OBsolete P/N  
UCR2002-0270  
COMERCI 01/10/1

REVISED & REDRAWN  
ECR \* U90255  
KBW 04-25-89 RW

DIMENSIONS SHOWN (METRIC) INCH UNLESS OTHERWISE SPECIFIED TOLERANCES ANGULAR ± 1/2°		TITLE .093/(2.36) HOUSINGS PLUG & RECEPTACLE 9 CIRCUIT .248/(6.30)C	
3 PLACE ± .010 ---	INCH	METRIC	
2 PLACE ± .014 ± 0.25			
1 PLACE --- ± 0.35			
DRAFT WHERE APPLICABLE MUST REMAIN WITHIN DIMENSIONS		PART NO. DATE M1591-9 1 OF 2 04/25/89	
DRAWN BY: KBW		CHK'D BY: RW	
APP'D BY: RAS		SCALE: 2: 1	
SEE CHART		SD-1991-9*	
FILE NAME: M1591-9		DIV: CP	
THIS DRAWING CONTAINS INFORMATION THAT IS PROPRIETARY TO MOLEX INC. AND SHOULD NOT BE USED WITHOUT WRITTEN PERMISSION.			

PLUG		OBSOLETE
ORDER NO	ENG NO	
19-09-2091	1991-9P	
19-09-2092	1991-9P1	
19-09-7091	1991-9PBK	
19-09-7092	1991-9PIBK	
- -		

RECEPTACLE	
ORDER NO	ENG NO
19-09-1091	1991-9R
19-09-1092	1991-9R1
19-09-6091	1991-9RBK
19-09-6092	1991-9RIBK
- -	
- -	

**LEGEND:**

1991-9\*\*\*\*

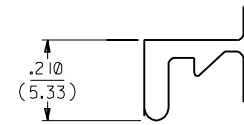
CIRCUIT SIZE

P = PLUG  
R = RECEPTACLE

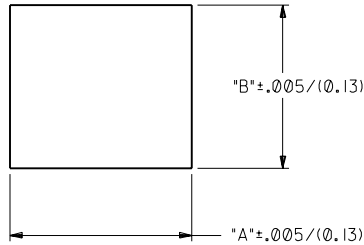
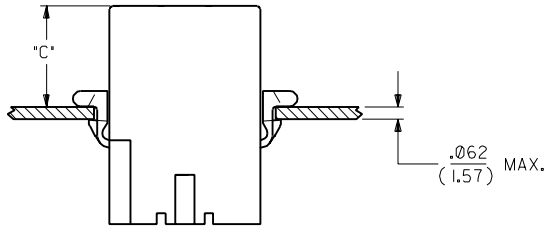
BLANK = WITH STANDARD EARS  
1 = WITHOUT EARS  
2 = WITH PREBENT EARS

COLOR:

BLANK = NATURAL COLOR  
AM = AMBER BK = BLACK BU = BLUE  
BN = BROWN GY = GRAY GN = GREEN  
OR = ORANGE RD = RED YW = YELLOW



**DETAIL A**  
STANDARD MOUNTING EAR  
(SCALE 4:1)

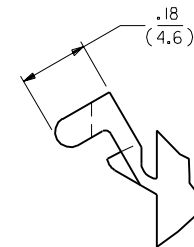
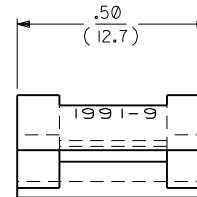


RECOMMENDED PANEL OPENING

HOUSING	DIM. "A"	DIM. "B"	"C" PREBENT EAR	"C" STANDARD EAR
PLUG	1.048/(26.60)	.910/(23.10)	.52/(13.2)	.51/(12.9)
RECEPT.	.946/(24.00)	.850/(21.60)	.54/(13.7)	.53/(13.5)

**NOTES:**

1. MOLEX PRODUCT SPEC 02-09 APPLIES.
2. MATERIAL: NYLON TYPE 6/6, 94V-2.
3. HOUSINGS FOR USE WITH MOLEX STANDARD .093/(2.36) TYPE TERMINALS.



**DETAIL B**  
PREBENT MOUNTING EAR  
(SCALE 4:1)

DIMENSIONS SHOWN (METRIC) INCH

UNLESS OTHERWISE SPECIFIED TOLERANCES ANGULAR ± 1/2°

	INCH	METRIC
3 PLACE	± .010	---
2 PLACE	± .014	± 0.25
1 PLACE	---	± 0.35

DRAFT WHERE APPLICABLE MUST REMAIN WITHIN DIMENSIONS

REVISIONS

REV.	DATE	BY	REVISIONS
I			SEE SHEET I
H			SEE SHEET I

TITLE		REVISE ONLY ON CAD SYSTEM	
.093/(2.36) HOUSINGS PLUG & RECEPTACLE 9 CIRCUIT .248/(6.30)C		DATE: 04/25/89	
MOLEX INCORPORATED 1151E, ILL. 60532 U.S.A.		SHEET NO. 2	
PART NO. SD-1991-9*		DRWG. NO.	

DRWG. BY: KBW  
CHK'D. BY: RW  
APP'D. BY: RAS  
SCALE: 2:1

FILE NAME: M19919.S99  
THIS DRAWING CONTAINS INFORMATION THAT IS PROPRIETARY TO MOLEX INC. AND SHOULD NOT BE USED WITHOUT WRITTEN PERMISSION.  
DIV. CP  
SIZE C