



Chipsmall Limited consists of a professional team with an average of over 10 year of expertise in the distribution of electronic components. Based in Hongkong, we have already established firm and mutual-benefit business relationships with customers from,Europe,America and south Asia,supplying obsolete and hard-to-find components to meet their specific needs.

With the principle of “Quality Parts,Customers Priority,Honest Operation,and Considerate Service”,our business mainly focus on the distribution of electronic components. Line cards we deal with include Microchip,ALPS,ROHM,Xilinx,Pulse,ON,Everlight and Freescale. Main products comprise IC,Modules,Potentiometer,IC Socket,Relay,Connector.Our parts cover such applications as commercial,industrial, and automotives areas.

We are looking forward to setting up business relationship with you and hope to provide you with the best service and solution. Let us make a better world for our industry!



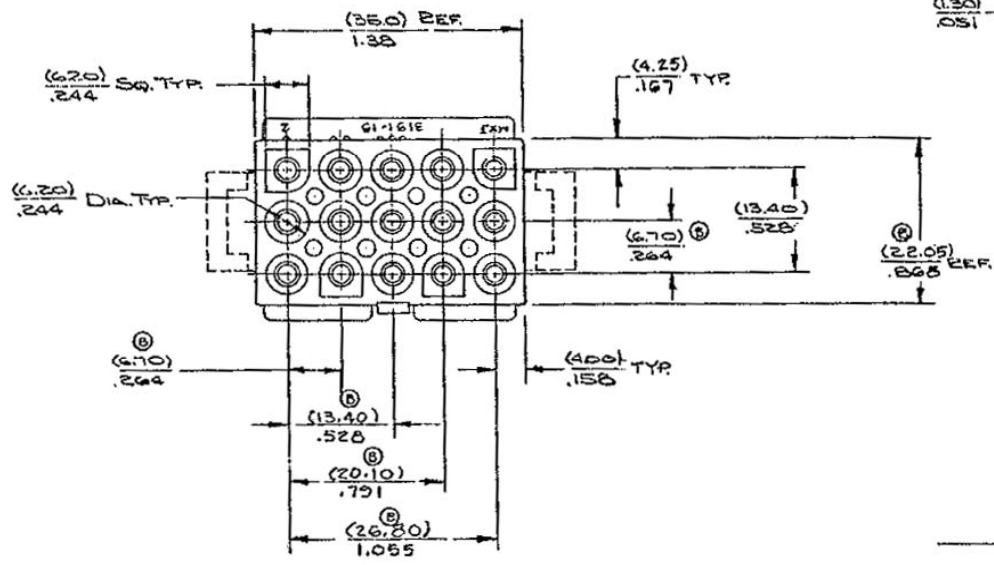
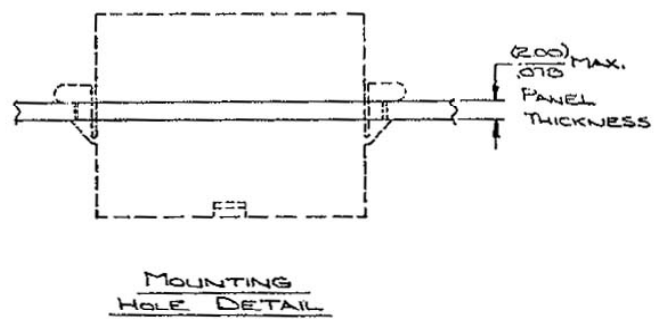
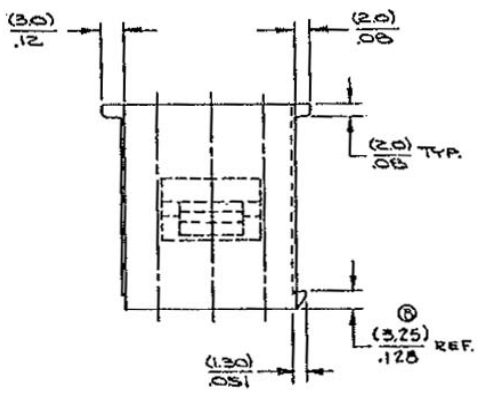
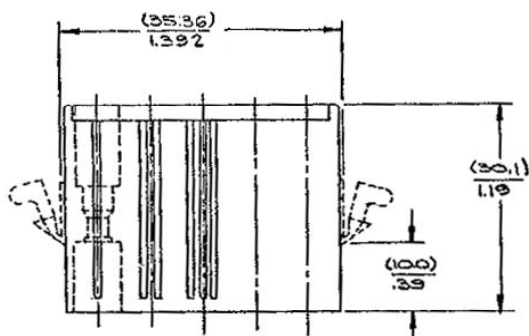
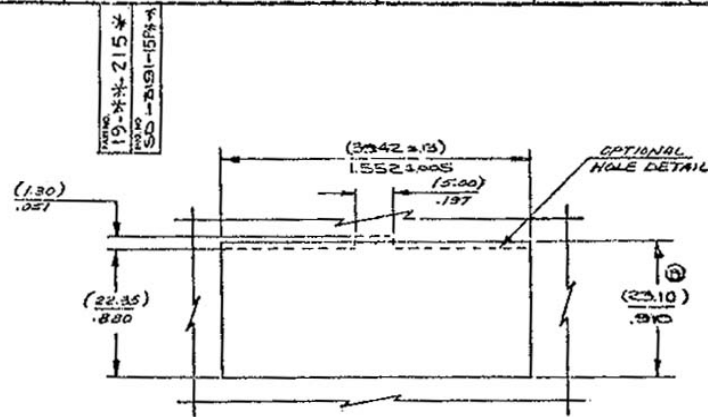
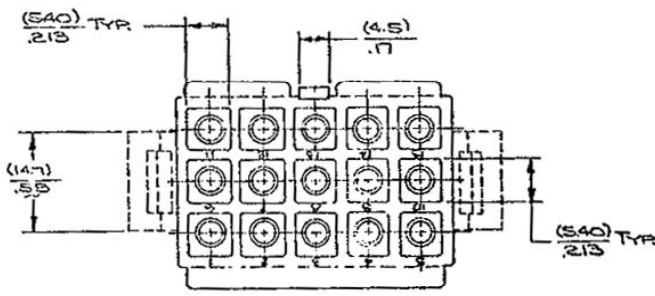
Contact us

Tel: +86-755-8981 8866 Fax: +86-755-8427 6832

Email & Skype: info@chipsmall.com Web: www.chipsmall.com

Address: A1208, Overseas Decoration Building, #122 Zhenhua RD., Futian, Shenzhen, China





- NOTE:
 1. THIS HOUSING FOR USE WITH MOLEX (239)/.093 DIA. MALE TERMINALS.
 2. MOUNTING EARS OPTIONAL (SEE CHART).

19-09-4151	SD-3191-15P-203	YES	ASAHI LEONA FR-200
19-09-4152	SD-3191-15P1-203	NO	ASAHI LEONA FR-200
NOT TOOLED	SD-3191-15P-202	YES	MOD. NYLON 6/6 94V-0 DUPONT FE-301G
NOT TOOLED	SD-3191-15P1-202	NO	MOD. NYLON 6/6 94V-0 DUPONT FE-35
NOT TOOLED	SD-3191-15P-200	YES	MOD. NYLON 6/6 94V-0 MONSANTO M340
NOT TOOLED	SD-3191-15P1-200	NO	MOD. NYLON 6/6 94V-0 MONSANTO M340
19-09-2157	SD-3191-15P-201	YES	MOD. NYLON 6/6 94V-0 WELLMID FR22-FR
19-09-2156	SD-3191-15P1-201	NO	MOD. NYLON 6/6 94V-0 WELLMID FR22-FR
19-09-2159	SD-3191-15P1	NO	NYLON TYPE 6/6 94V-2
19-09-2158	SD-3191-15P	YES	NYLON TYPE 6/6 94V-2
PART NO.	ENG. NO.	MTG. EARS	MATERIAL

REVISIONS	DATE	BY	CHKD	APP'D	DESCRIPTION
1	10/22/75	W/S L	W/S L	W/S L	INITIALS
2	10/22/75	W/S L	W/S L	W/S L	INITIALS
3	10/22/75	W/S L	W/S L	W/S L	INITIALS
4	10/22/75	W/S L	W/S L	W/S L	INITIALS
5	10/22/75	W/S L	W/S L	W/S L	INITIALS
6	10/22/75	W/S L	W/S L	W/S L	INITIALS
7	10/22/75	W/S L	W/S L	W/S L	INITIALS
8	10/22/75	W/S L	W/S L	W/S L	INITIALS
9	10/22/75	W/S L	W/S L	W/S L	INITIALS
10	10/22/75	W/S L	W/S L	W/S L	INITIALS
11	10/22/75	W/S L	W/S L	W/S L	INITIALS
12	10/22/75	W/S L	W/S L	W/S L	INITIALS
13	10/22/75	W/S L	W/S L	W/S L	INITIALS

HOUSING - PLUS-15 CIRCUIT (UNIVERSAL)
 MOLEX INCORPORATED
 19-09-215 # SD-3191-15P # C
 10/22/75
 THIS DRAWING CONTAINS INFORMATION THAT IS PROPRIETARY TO MOLEX INC. AND SHOULD NOT BE LOANED WITHOUT WRITTEN PERMISSION.