



Chipsmall Limited consists of a professional team with an average of over 10 year of expertise in the distribution of electronic components. Based in Hongkong, we have already established firm and mutual-benefit business relationships with customers from,Europe,America and south Asia,supplying obsolete and hard-to-find components to meet their specific needs.

With the principle of “Quality Parts,Customers Priority,Honest Operation,and Considerate Service”,our business mainly focus on the distribution of electronic components. Line cards we deal with include Microchip,ALPS,ROHM,Xilinx,Pulse,ON,Everlight and Freescale. Main products comprise IC,Modules,Potentiometer,IC Socket,Relay,Connector.Our parts cover such applications as commercial,industrial, and automotives areas.

We are looking forward to setting up business relationship with you and hope to provide you with the best service and solution. Let us make a better world for our industry!



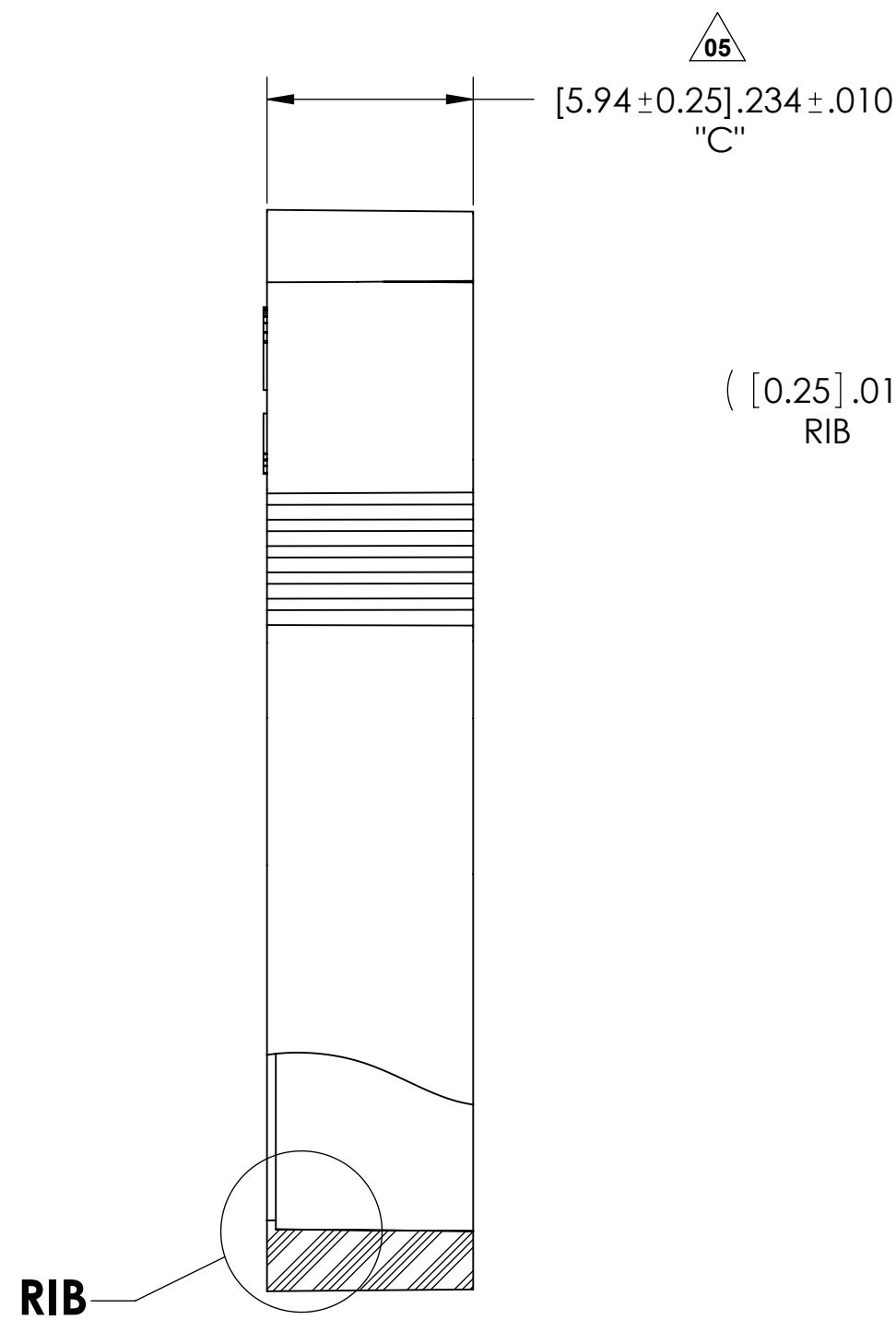
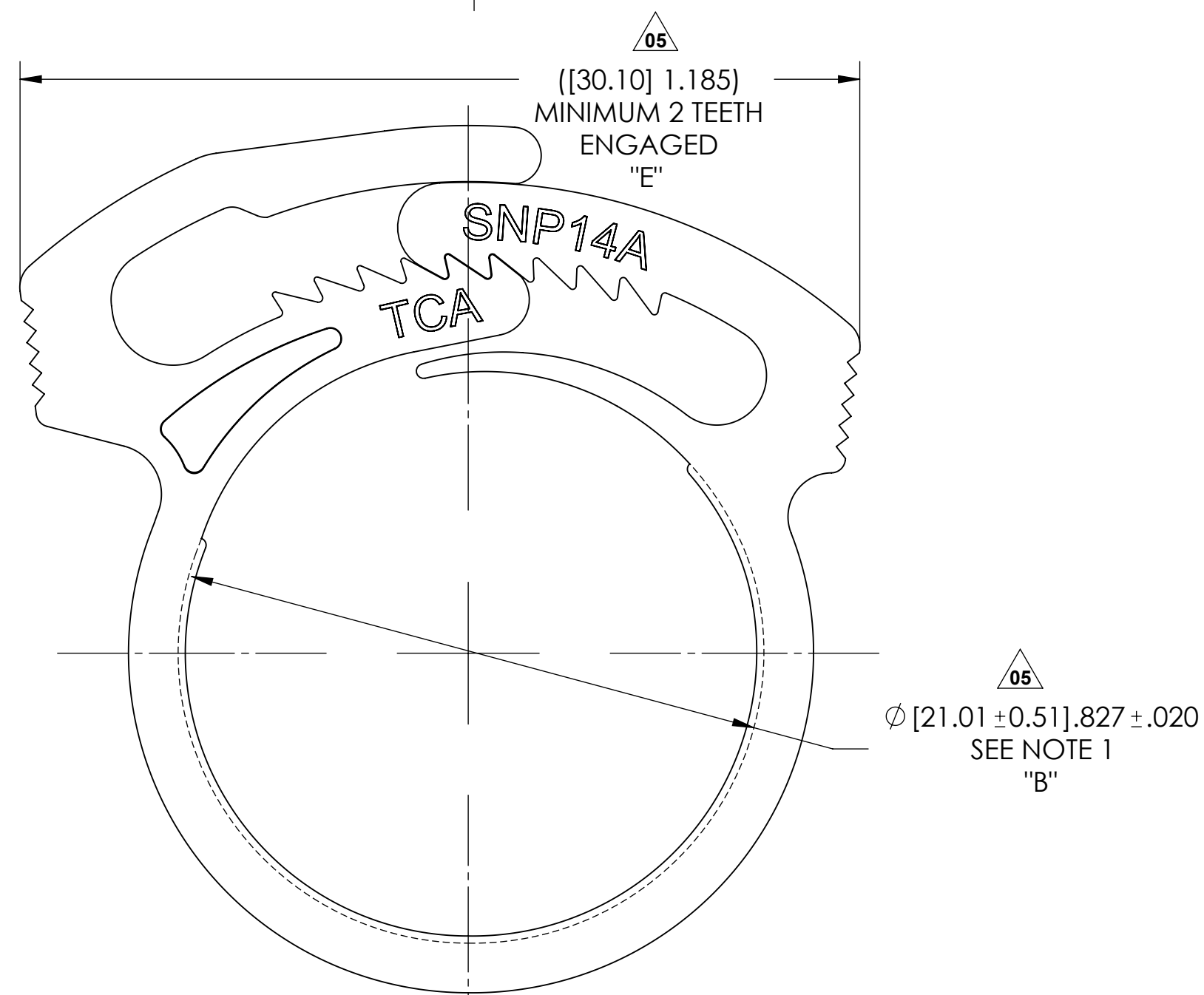
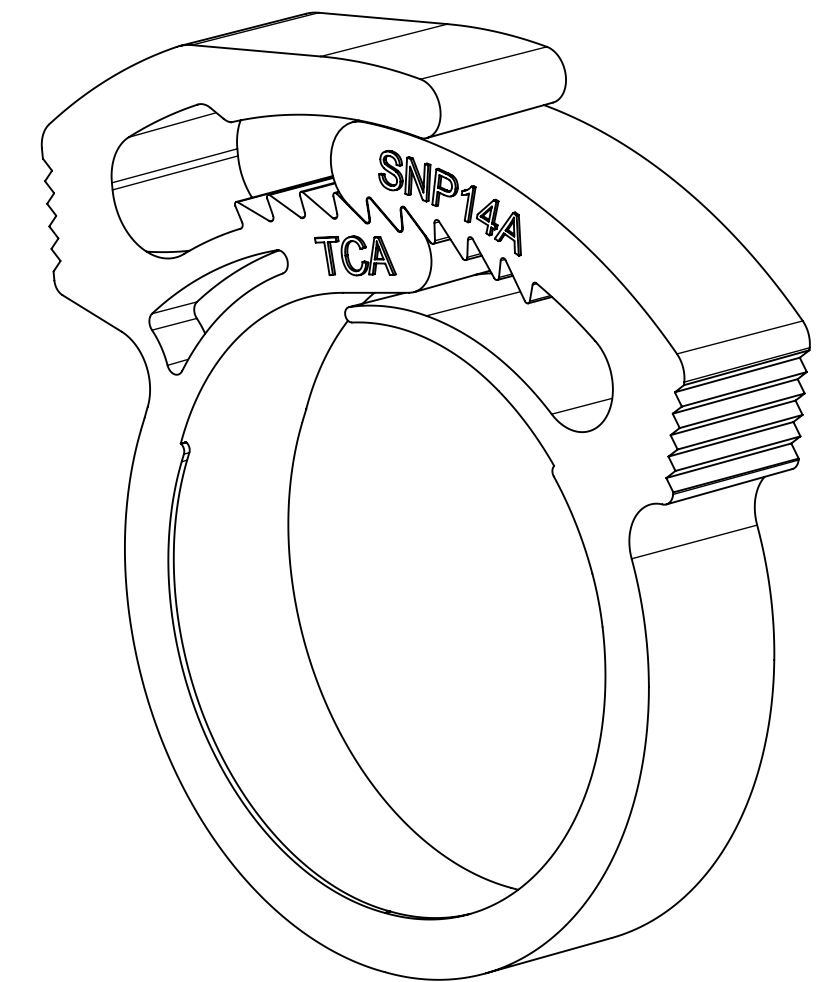
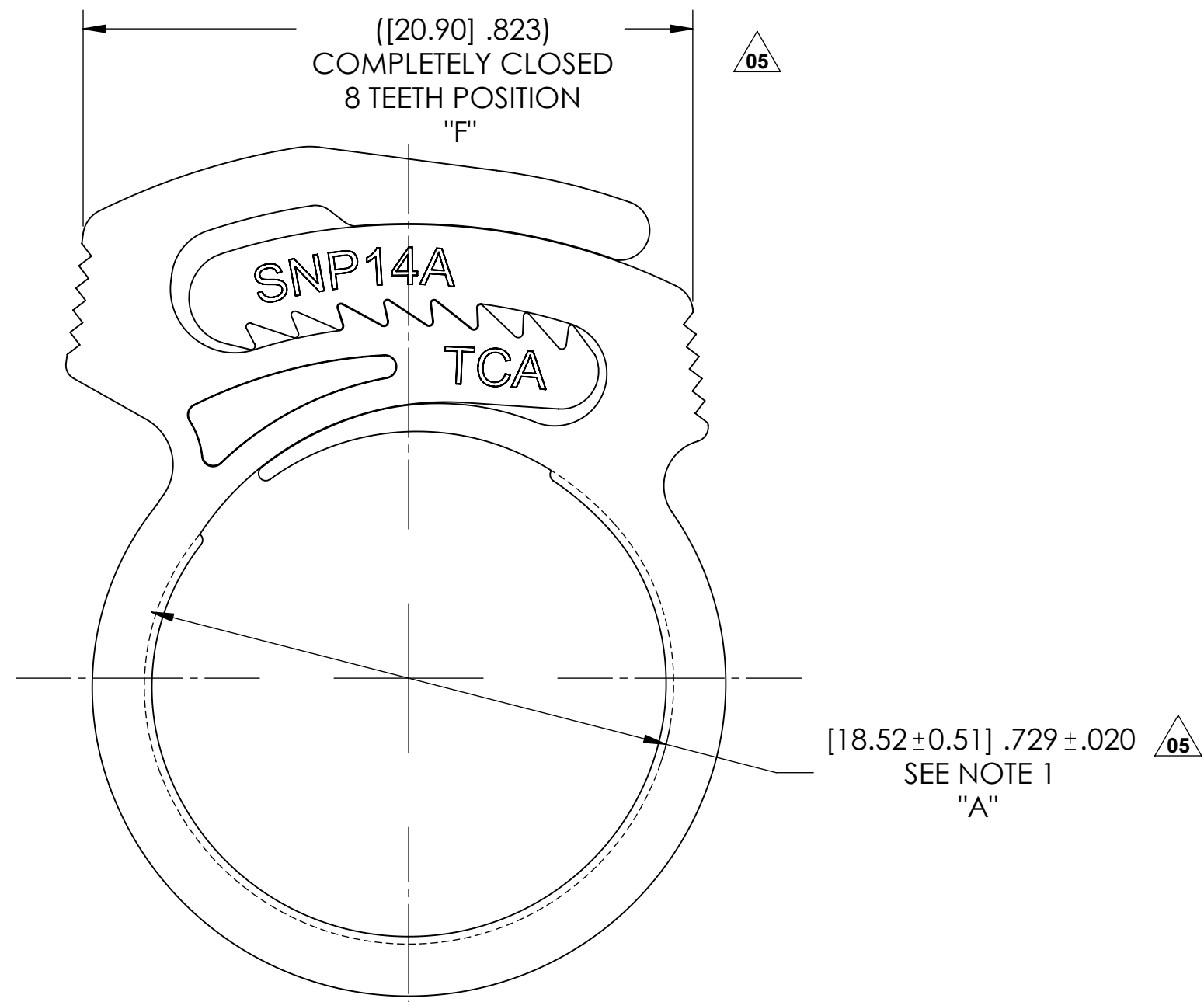
Contact us

Tel: +86-755-8981 8866 Fax: +86-755-8427 6832

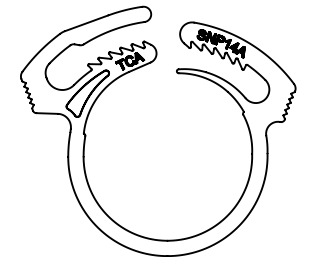
Email & Skype: info@chipsmall.com Web: www.chipsmall.com

Address: A1208, Overseas Decoration Building, #122 Zhenhua RD., Futian, Shenzhen, China





DETAIL RIB
SCALE 10 : 1



AS MOLDED
FULL SCALE

PRODUCT CODE DESCRIPTION

SNP14AGHS_ [] COLOR
(CONSULT FACTORY FOR AVAILABLE COLORS)

HellermannTyton®
ALL PROPRIETARY RIGHTS IN THE SUBJECT MATTER SHOWN ON THIS DRAWING ARE EXCLUSIVE PROPERTY OF HELLERMANNTYTON

name	date	city, state

- NOTES**
- 1) INSIDE DIAMETERS ARE MEASURED IN THREE PLACES SPACED 120 DEGREES APART EXCLUDING RIB.
 - 2) 12 TOTAL TEETH, 8 TEETH POSITIONS.

REVISION

level	05
by	AAC
date	01/09/2008
ECN #	010917
part level	A

TOLERANCES

.XXXX	= [±.013]/±.0005
.XXX	= [±.13]/±.005
.XX	= [±.3]/±.01
.X	= [±.8]/±.03
∠	= ±0.5°
unless otherwise specified	
units	[millimeters]/inches

PART

number	SNP14AGHS_	phase	Production
name	SNP14A HOSE CLAMP		
material	NYLON 6/6 13% GLASS FILLED HEAT STABILIZED		

DRAWING

format	C	CAD	SW 2007	scale	5:1
computer file name	CP07-024-001CST_05	previous drawing number			
drawn	DJY	checked	KAC	approved	
date	06/19/2007	checked	01/09/2008	approved	
type	Customer	sheet	1 of 1		
number	CP07-024-001CST				

Product Number
Cross Reference Record

Uncontrolled Document

Pre-UNS Number System	(New) UNS Universal Number System	Customer Part Number
Product Number	Product Number	Product Number
SNP14A	190-00300	-
Reference Drawing Number: CP07-024-001CST		

Issued By:	(New) UNS Product Number	Issue Date:
HellermannTyton	Universal Numbering System	March 29, 2010