



Chipsmall Limited consists of a professional team with an average of over 10 year of expertise in the distribution of electronic components. Based in Hongkong, we have already established firm and mutual-benefit business relationships with customers from,Europe,America and south Asia,supplying obsolete and hard-to-find components to meet their specific needs.

With the principle of “Quality Parts,Customers Priority,Honest Operation,and Considerate Service”,our business mainly focus on the distribution of electronic components. Line cards we deal with include Microchip,ALPS,ROHM,Xilinx,Pulse,ON,Everlight and Freescale. Main products comprise IC,Modules,Potentiometer,IC Socket,Relay,Connector.Our parts cover such applications as commercial,industrial, and automotives areas.

We are looking forward to setting up business relationship with you and hope to provide you with the best service and solution. Let us make a better world for our industry!



## Contact us

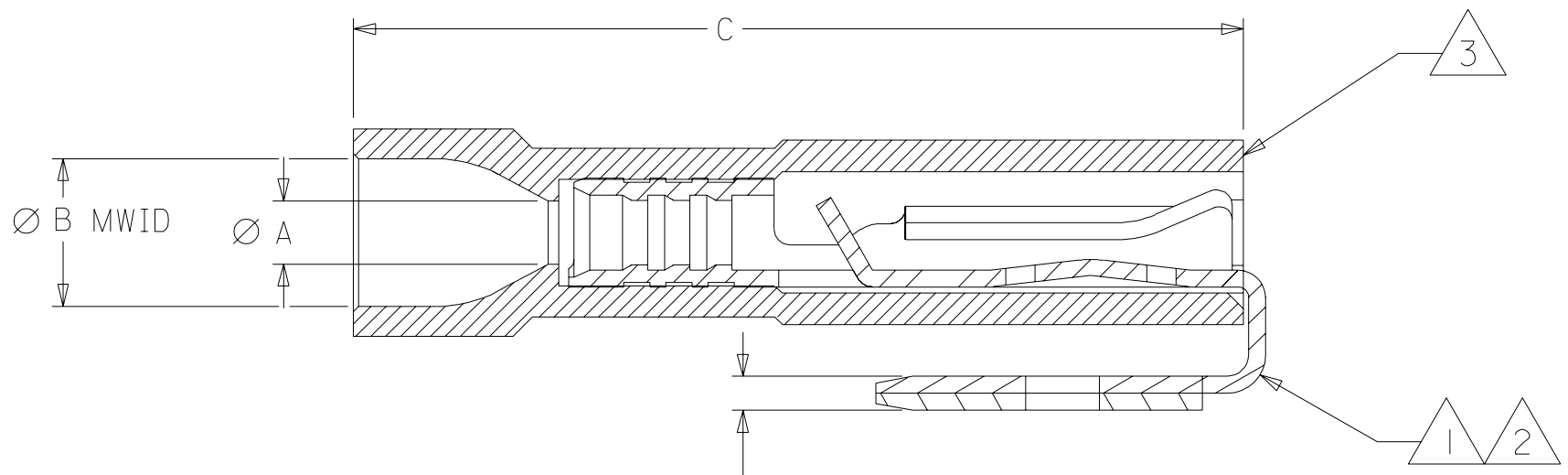
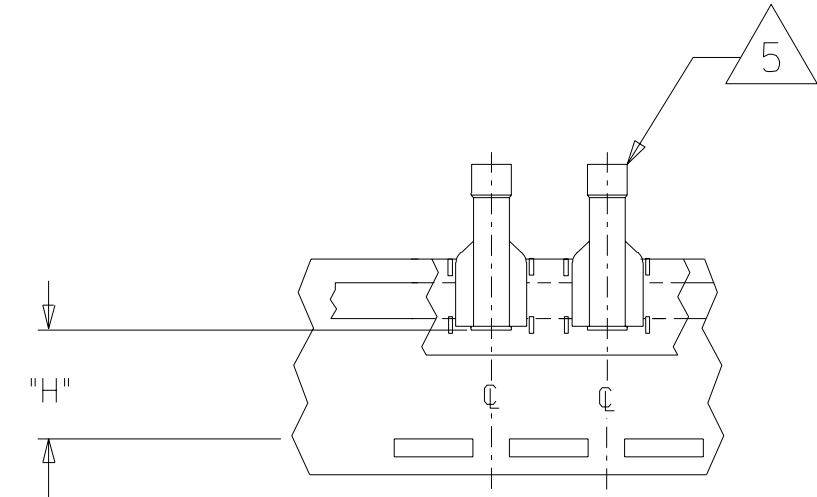
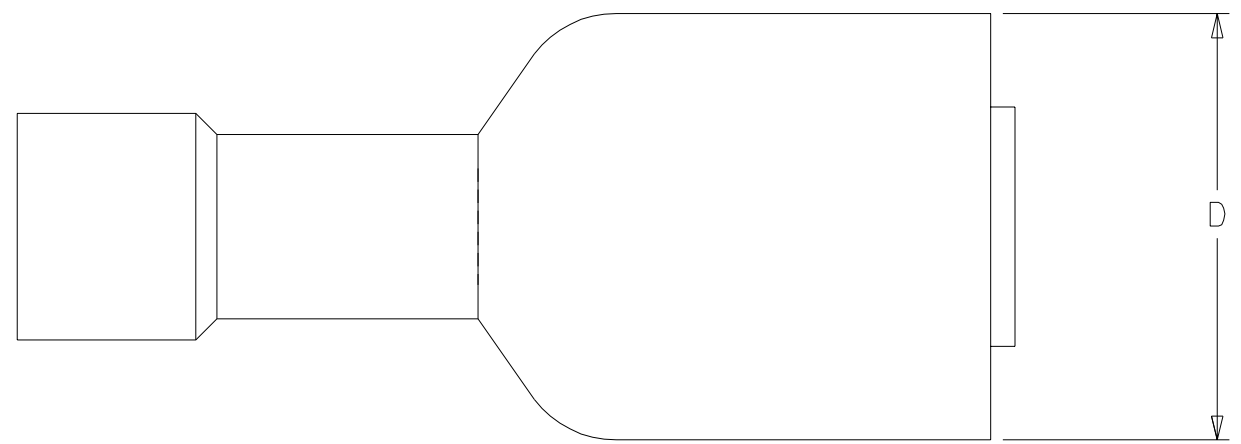
Tel: +86-755-8981 8866 Fax: +86-755-8427 6832

Email & Skype: info@chipsmall.com Web: www.chipsmall.com

Address: A1208, Overseas Decoration Building, #122 Zhenhua RD., Futian, Shenzhen, China



MATERIAL NUMBER	ENGINEERING NUMBER	MATERIAL NUMBER	ENGINEERING TAPE NUMBER	WIRE SIZE	INSULATION COLOR	A MAX	B MWID	C	D	H
190130001	AA-2317	190130002	AA-2317T	22-18 AWG	RED	.062/(1.57)	.140/(3.56)	.85/(21.6)	.37/(9.4)	.540/13.7
190130005	BB-2318	190130006	BB-2318T	16-14 AWG	BLUE	.087/(2.21)	.165/(4.19)	.85/(21.6)	.37/(9.4)	.540/13.7
190130018	C-2319	190130016	C-2319T	12-10 AWG	YELLOW	.155/(3.94)	.280/(7.11)	1.02/(25.9)	.36/(9.1)	.565/14.5



.032 ± .001  
0.81 ± 0.03

NOTES:

- 1. TERMINAL MATERIAL: BRASS
- 2. TERMINAL FINISH: ELECTRO-TIN
- 3. INSULATION: NYLON
- 4. MWID = MAXIMUM WIRE INSULATION DIAMETER
- 5. MOUNTED WITH BARE TAB TO TAPE.

SALES DRAWING

WAS CD-2909	EC NO. ETC2003-0225	DRWN: BRE	CH'K: HEB	APPR: RWD
B	REV	DESCRIPTION	QUALITY SYMBOLS	MAJOR = 0
			CRITICAL = 0	

	GENERAL TOLERANCES: (UNLESS SPECIFIED)	
	mm	INCH
4 PLACES	±0.	±.
3 PLACES	±0.	±.005
2 PLACES	±0.13	±.01
1 PLACE	±0.25	±.
ANGULAR: ±1/2°		
DRAFT WHERE APPLICABLE MUST REMAIN WITHIN DIMENSIONS		

SCALE NO: NE	DESIGN UNITS	THIRD ANGLE PROJECTION
NO: NE	<input type="checkbox"/> mm <input checked="" type="checkbox"/> INCH	<input type="checkbox"/> mm ONLY
DRAWN BY & DATE		
BRE 03/03/19		
CHECKED BY & DATE		
HEB 03/03/19		
APPROVED BY & DATE		
RWD 03/03/19		
CAD FILENAME		
SD-19013-001 .DGN		

DIMENSIONS:		SHT	REV
<input type="checkbox"/> mm	<input checked="" type="checkbox"/> INCH		
TITLE: INSULKRIMP FIQD PIGGYBACK .250 X .032 TAB SIZE			
MOLEX INCORPORATED			
MATERIAL NO.	DRAWING NO.	SHEET NO.	
SEE CHART	SD-19013-001		
THIS DRAWING CONTAINS INFORMATION THAT IS PROPRIETARY TO MOLEX INCORPORATED AND SHOULD NOT BE USED WITHOUT WRITTEN PERMISSION.			
			SIZE B