



Chipsmall Limited consists of a professional team with an average of over 10 year of expertise in the distribution of electronic components. Based in Hongkong, we have already established firm and mutual-benefit business relationships with customers from,Europe,America and south Asia,supplying obsolete and hard-to-find components to meet their specific needs.

With the principle of “Quality Parts,Customers Priority,Honest Operation,and Considerate Service”,our business mainly focus on the distribution of electronic components. Line cards we deal with include Microchip,ALPS,ROHM,Xilinx,Pulse,ON,Everlight and Freescale. Main products comprise IC,Modules,Potentiometer,IC Socket,Relay,Connector.Our parts cover such applications as commercial,industrial, and automotives areas.

We are looking forward to setting up business relationship with you and hope to provide you with the best service and solution. Let us make a better world for our industry!



Contact us

Tel: +86-755-8981 8866 Fax: +86-755-8427 6832

Email & Skype: info@chipsmall.com Web: www.chipsmall.com

Address: A1208, Overseas Decoration Building, #122 Zhenhua RD., Futian, Shenzhen, China



SPECIFICATIONS

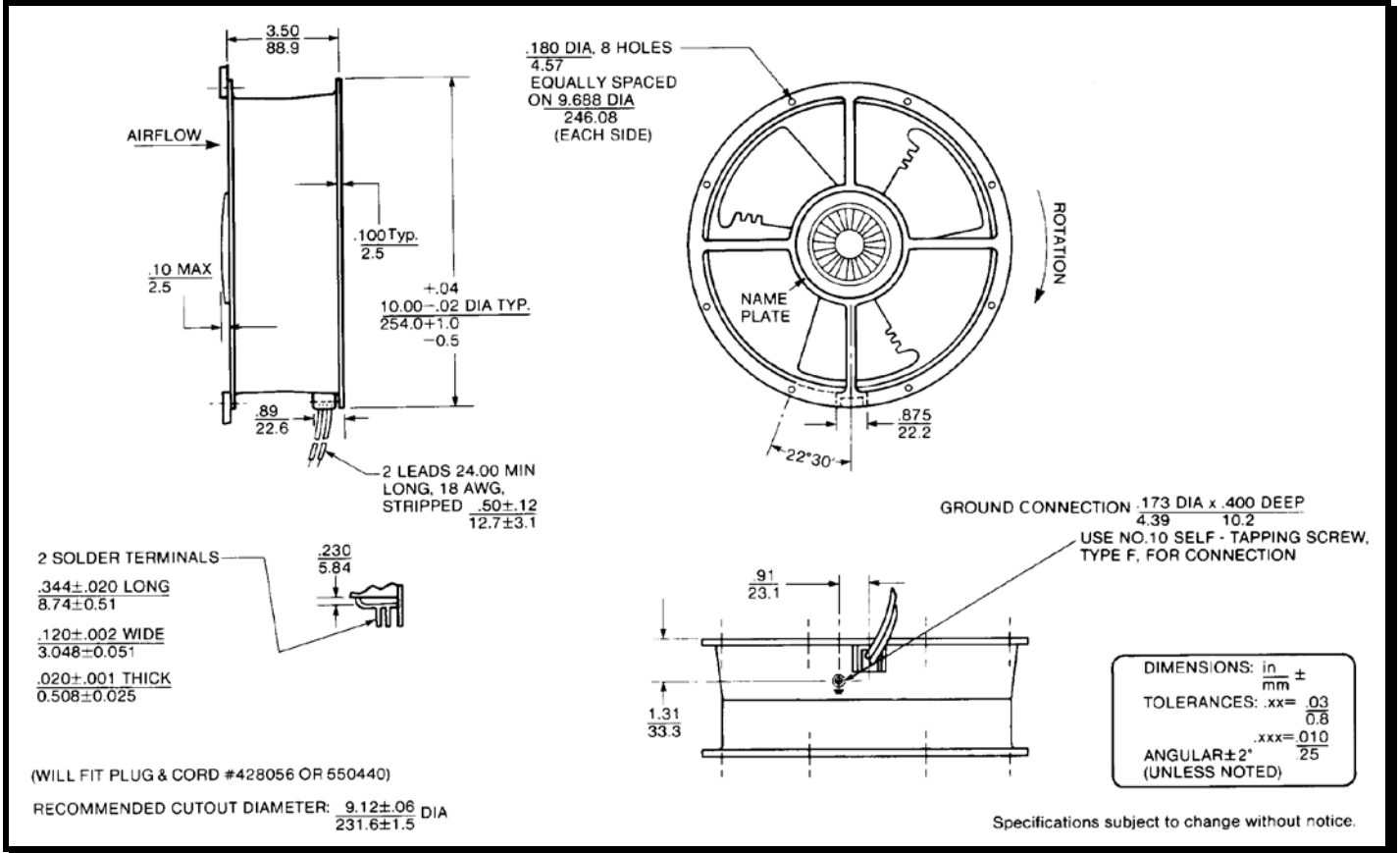
(RoHS Compliant)



Model Number: CLE3L2
Part Number: 19020190A

Version: 01
Nov 02, 2016

Mechanical Drawing:



Motor:

Frequency = 50/60 Hz
 Nominal Voltage = 220/230 vac
 Nominal Running Current = 0.240 / 0.250 amps
 Max. Locked Rotor Current = 0.355 amps
 Running Power = 34 watts
 Average Speed = 1400/1650 RPM
 Bearings = Ball
 Air Flow = 455/550 CFM
 Acoustic: = 45.4/49.2 dBA

Construction:

Venturi: Aluminum, Black
 Propeller: Plastic, Black, UL 94V-0

Life Expectancy:

This fan is designed for continuous duty life of 54,000 hours at 40°C.

Additional Features:

Permanent Split Capacitor
 Class B Insulation
 Operating Temperature: -30°C to 60°C
 Storage Temperature: -40°C to 85°C
 Automatic Restart Thermal Protector

Termination:

12" Lead wires, 18 AWG

Agency Approvals:

UL, CE