



Chipsmall Limited consists of a professional team with an average of over 10 year of expertise in the distribution of electronic components. Based in Hongkong, we have already established firm and mutual-benefit business relationships with customers from,Europe,America and south Asia,supplying obsolete and hard-to-find components to meet their specific needs.

With the principle of “Quality Parts,Customers Priority,Honest Operation,and Considerate Service”,our business mainly focus on the distribution of electronic components. Line cards we deal with include Microchip,ALPS,ROHM,Xilinx,Pulse,ON,Everlight and Freescale. Main products comprise IC,Modules,Potentiometer,IC Socket,Relay,Connector.Our parts cover such applications as commercial,industrial, and automotives areas.

We are looking forward to setting up business relationship with you and hope to provide you with the best service and solution. Let us make a better world for our industry!



## Contact us

Tel: +86-755-8981 8866 Fax: +86-755-8427 6832

Email & Skype: info@chipsmall.com Web: www.chipsmall.com

Address: A1208, Overseas Decoration Building, #122 Zhenhua RD., Futian, Shenzhen, China



# SPECIFICATIONS

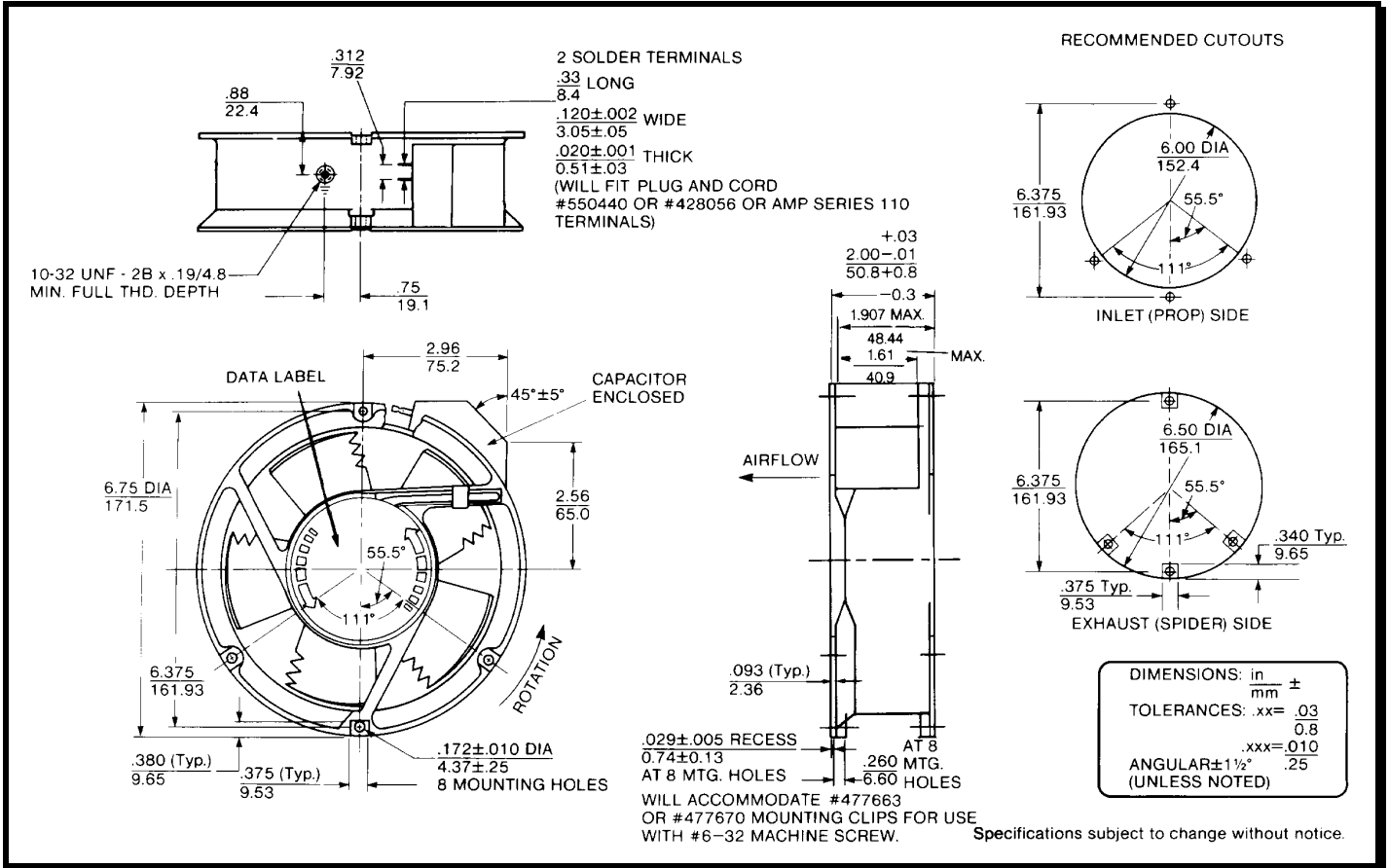
(RoHS Compliant)



**Model Number:** PT77B3  
**Part Number:** 19028312A

**Version:** 01  
**Jan 23, 2016**

## Mechanical Drawing:



### Motor:

|                           |                      |
|---------------------------|----------------------|
| Nominal Voltage           | = 220 / 230 VAC      |
| Frequency                 | = 50 / 60 Hz         |
| Nominal Running Current   | = 0.130 / 0.140 amps |
| Max. Locked Rotor Current | = 0.25 amps          |
| Running Power             | = 26 / 30 watts      |
| Average Speed             | = 2880 / 3350 RPM    |
| Bearings                  | = Ball               |
| Air Flow                  | = 200 / 235 CFM      |
| Acoustic                  | = 50.3 / 54.0 dBA    |

### Construction:

Venturi: Single Piece Die-Cast Aluminum, Black  
 Propeller: Plastic, Black, UL 94V-0

### Life Expectancy:

This fan is designed for continuous duty life of 62,000 hours at 40°C.

### Additional Features:

Permanent Split Capacitor Motor  
 Half Speed Impedance Protection  
 Full Speed Automatic Reset Thermal Protector  
 Operating Temperature: -10°C to 70°C  
 Storage Temperature: -40°C to 85°C

### Termination:

2x0.120" Terminals

### Agency Approvals:

UL, CUL, CE

**PQ Curve:**

