



Chipsmall Limited consists of a professional team with an average of over 10 year of expertise in the distribution of electronic components. Based in Hongkong, we have already established firm and mutual-benefit business relationships with customers from,Europe,America and south Asia,supplying obsolete and hard-to-find components to meet their specific needs.

With the principle of “Quality Parts,Customers Priority,Honest Operation,and Considerate Service”,our business mainly focus on the distribution of electronic components. Line cards we deal with include Microchip,ALPS,ROHM,Xilinx,Pulse,ON,Everlight and Freescale. Main products comprise IC,Modules,Potentiometer,IC Socket,Relay,Connector.Our parts cover such applications as commercial,industrial, and automotives areas.

We are looking forward to setting up business relationship with you and hope to provide you with the best service and solution. Let us make a better world for our industry!



Contact us

Tel: +86-755-8981 8866 Fax: +86-755-8427 6832

Email & Skype: info@chipsmall.com Web: www.chipsmall.com

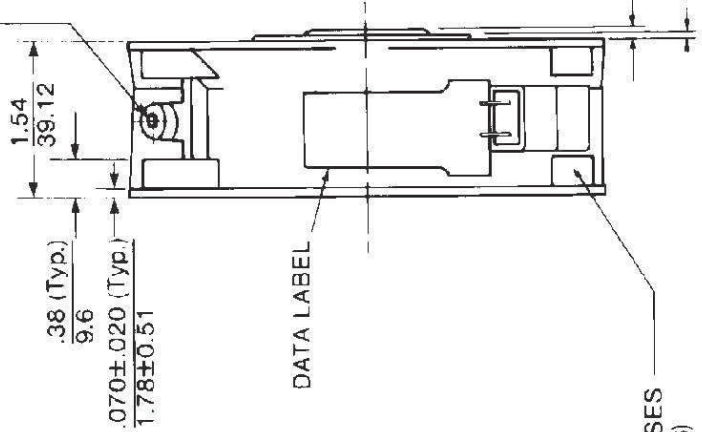
Address: A1208, Overseas Decoration Building, #122 Zhenhua RD., Futian, Shenzhen, China



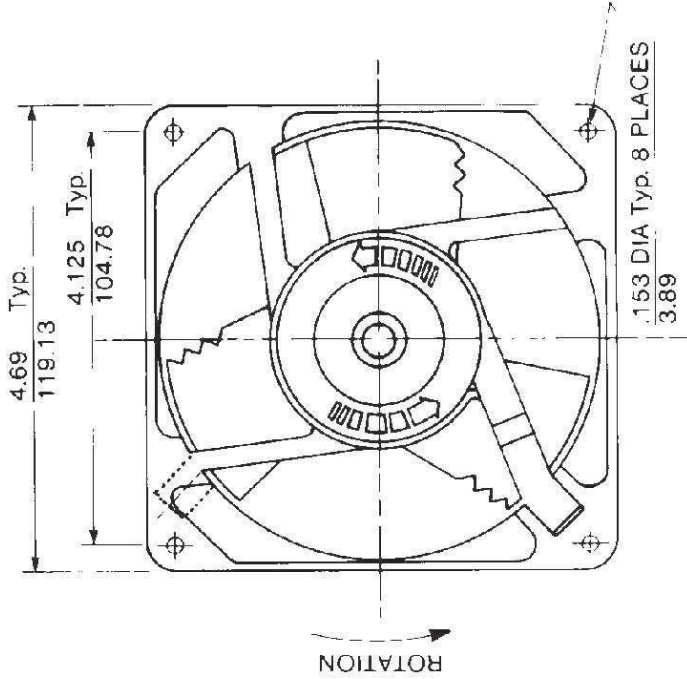
.173 DIA x .350 DEEP

4.39 8.89

2 PLACES (AS SHOWN AND 180° FAR SIDE)
USE #10-32 TYPE "F" SELF-TAPPING SCREW
FOR GROUND CONNECTION.



WILL ACCOMMODATE #550113
BLIND MOUNTING CLIPS FOR USE
WITH #6-32 MACHINE SCREW.



TERMINALS

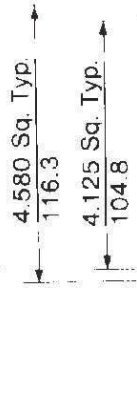
.120 ± .002 WIDE
3.05 ± 0.05

.020 ± .001 THICK
0.51 ± 0.03

.300 ± .025 LONG
7.62 ± 0.64

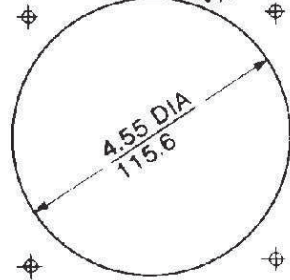
WILL FIT PLUG &
CORD ASSEMBLIES
#550440 & #428056
OR AMP 110 SERIES
RECEPTACLES OR
EQUIVALENT

RECOMMENDED CUT OUT



.170 DIA
4.3

OUTLET (STRUT) SIDE



INLET (PROP) SIDE

DIMENSIONS: in	±
mm	
TOLERANCES: .xx	= .03
	= .08
	= .010
(UNLESS NOTED)	.25

Specifications subject to change without notice.