



Chipsmall Limited consists of a professional team with an average of over 10 year of expertise in the distribution of electronic components. Based in Hongkong, we have already established firm and mutual-benefit business relationships with customers from,Europe,America and south Asia,supplying obsolete and hard-to-find components to meet their specific needs.

With the principle of “Quality Parts,Customers Priority,Honest Operation,and Considerate Service”,our business mainly focus on the distribution of electronic components. Line cards we deal with include Microchip,ALPS,ROHM,Xilinx,Pulse,ON,Everlight and Freescale. Main products comprise IC,Modules,Potentiometer,IC Socket,Relay,Connector.Our parts cover such applications as commercial,industrial, and automotives areas.

We are looking forward to setting up business relationship with you and hope to provide you with the best service and solution. Let us make a better world for our industry!



Contact us

Tel: +86-755-8981 8866 Fax: +86-755-8427 6832

Email & Skype: info@chipsmall.com Web: www.chipsmall.com

Address: A1208, Overseas Decoration Building, #122 Zhenhua RD., Futian, Shenzhen, China



SPECIFICATIONS

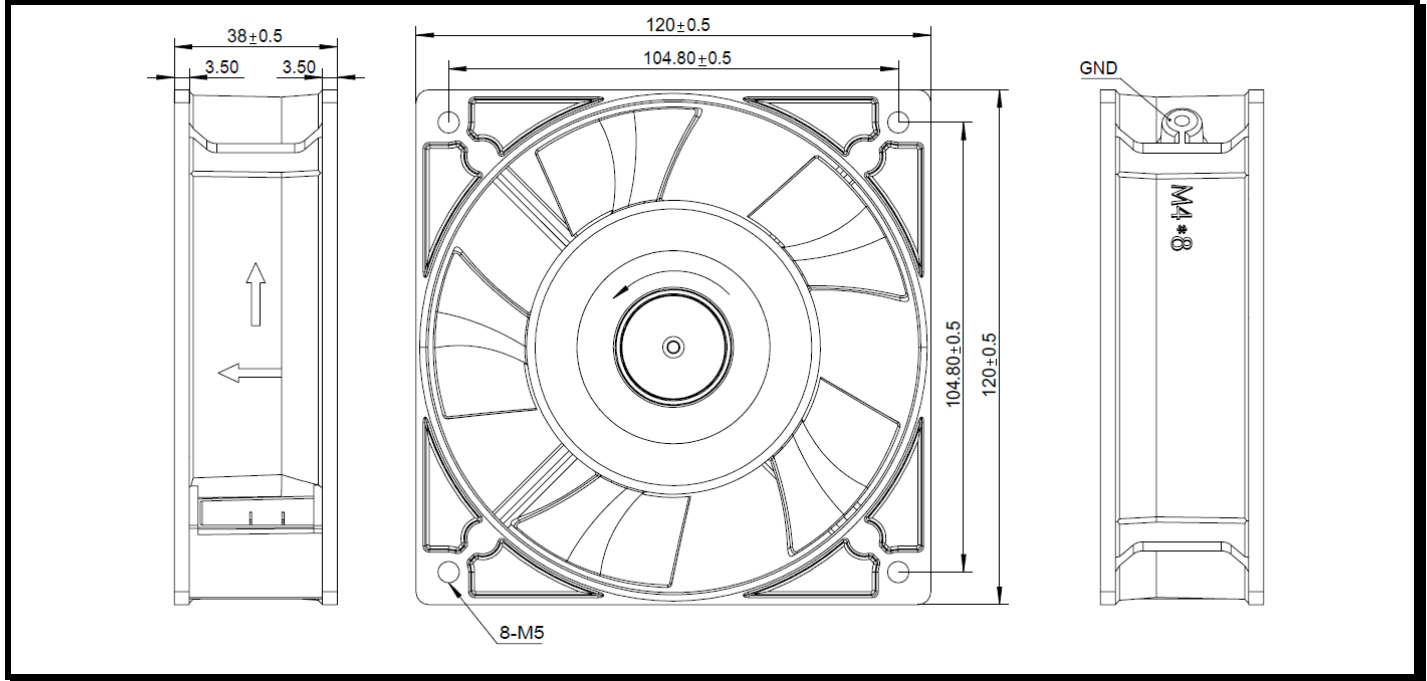
RoHS

Model Number:MX2B3
Part Number: 19028422A

Version: 04
Dec 18, 2017



Mechanical Drawing:



Motor:

Normal Voltage	= 115VAC
Operating Voltage Range	= 103~126VAC
Operating Frequency	= 50/60Hz
Rated Current	= 0.30/0.26A
Input Power	= 23/20Watt
Average Speed	= 2500/2850RPM
Bearings	= Ball
Airflow	= 90/100CFM (Measuring at zero static pressure)
Static Pressure	= 0.20/0.25'' H ₂ O (Measuring at zero air flow)
Noise Level	= 50/52 dB(A)
Net Weight	= 460 gram.

Construction:

Venturi: High quality magnesium alloy die-casting Frame with ED coating and powder coating, Black.
Propeller: Plastic, Black, UL 94V-0.

Additional Features:

Insulation Resistance: 100MΩ or more at 500 V megger.
Dielectric strength: 2 seconds at 1800 VAC/ 50-60 Hz.
Thermal Shock: Test per MIL-STD-202F, method 107G, condition D.
Operating Temperature: -10°C to 70°C
Storage Temperature: -40°C to 85°C

Termination:

0.120" Wide Terminals

Agency Approvals:

UL, CUL, CE

Life Expectancy:

This fan is designed for continuous duty life of 55,000 hours at 70°C.

PQ Curve :

