



Chipsmall Limited consists of a professional team with an average of over 10 year of expertise in the distribution of electronic components. Based in Hongkong, we have already established firm and mutual-benefit business relationships with customers from,Europe,America and south Asia,supplying obsolete and hard-to-find components to meet their specific needs.

With the principle of "Quality Parts,Customers Priority,Honest Operation,and Considerate Service",our business mainly focus on the distribution of electronic components. Line cards we deal with include Microchip,ALPS,ROHM,Xilinx,Pulse,ON,Everlight and Freescale. Main products comprise IC,Modules,Potentiometer,IC Socket,Relay,Connector.Our parts cover such applications as commercial,industrial, and automotives areas.

We are looking forward to setting up business relationship with you and hope to provide you with the best service and solution. Let us make a better world for our industry!



Contact us

Tel: +86-755-8981 8866 Fax: +86-755-8427 6832

Email & Skype: info@chipsmall.com Web: www.chipsmall.com

Address: A1208, Overseas Decoration Building, #122 Zhenhua RD., Futian, Shenzhen, China



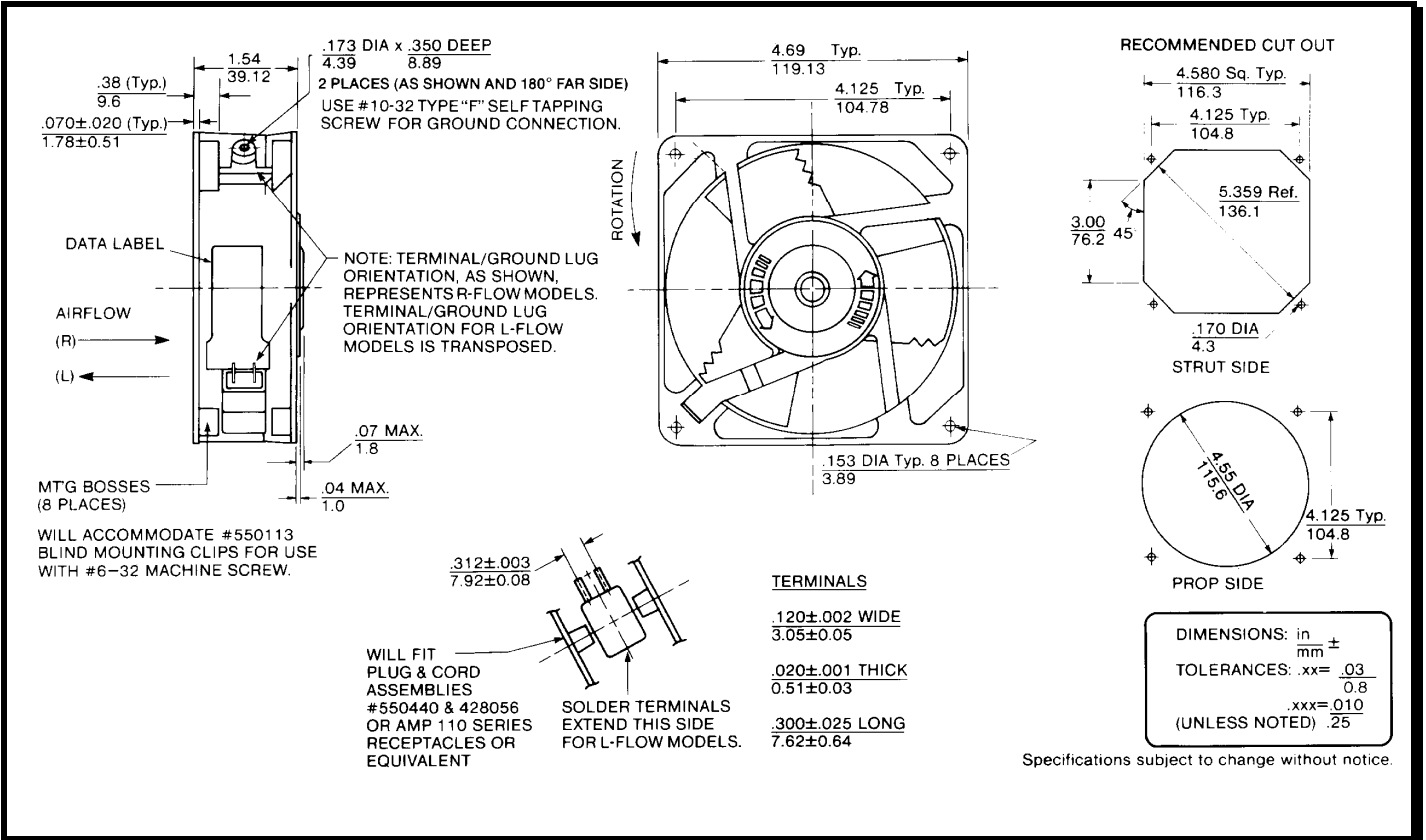
SPECIFICATIONS



Model Number: MX2A4
Part Number: 028527

August 6, 2003

Mechanical Drawing:



Motor:
 Nominal Voltage = 115 VAC
 Frequency = 50/60 Hz
 Nominal Running Current = 0.20/0.18 amps
 Locked Rotor Current = 0.28/0.27 amps
 Running Power = 17/15 Watts
 Average Speed = 2700/3100 RPM
 Bearings = Sleeve
 Air Flow = 98/115 CFM
 Acoustic = 45.6/50.0 dBA

Construction:
 Venturi: Zinc Alloy, Black.
 Propeller: Plastic, Black, UL 94V-0

Life Expectancy:
 This fan is designed for continuous duty life of 55,000 hours at 40°C.

Additional Features:
 Shaded pole induction motor
 Automatic Restart Capability
 Impedance Protection
 Operating Temperature: -28°C to 70°C
 Storage Temperature: -40°C to 85°C

Termination:
 12" Lead wires

Agency Approvals:
 UL, CSA, VDE, CE