



Chipsmall Limited consists of a professional team with an average of over 10 year of expertise in the distribution of electronic components. Based in Hongkong, we have already established firm and mutual-benefit business relationships with customers from,Europe,America and south Asia,supplying obsolete and hard-to-find components to meet their specific needs.

With the principle of “Quality Parts,Customers Priority,Honest Operation,and Considerate Service”,our business mainly focus on the distribution of electronic components. Line cards we deal with include Microchip,ALPS,ROHM,Xilinx,Pulse,ON,Everlight and Freescale. Main products comprise IC,Modules,Potentiometer,IC Socket,Relay,Connector.Our parts cover such applications as commercial,industrial, and automotives areas.

We are looking forward to setting up business relationship with you and hope to provide you with the best service and solution. Let us make a better world for our industry!



Contact us

Tel: +86-755-8981 8866 Fax: +86-755-8427 6832

Email & Skype: info@chipsmall.com Web: www.chipsmall.com

Address: A1208, Overseas Decoration Building, #122 Zhenhua RD., Futian, Shenzhen, China





Muffin XL - MD48B1 - 028867 - Yes
 (Family) (Model) (Part #) (In Stock)

Electrical Specifications

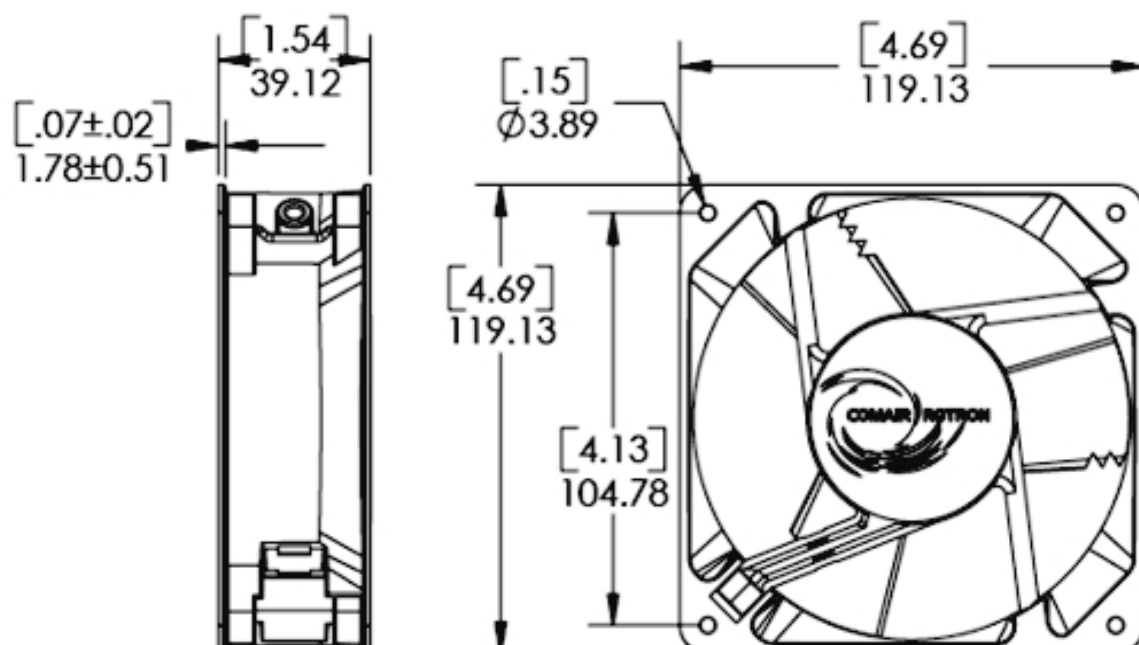
Operating Voltage:	48 Volts
Voltage Range:	24 - 56 Volts
Power Supply:	5.8 Watts
Line Current:	0.12 Amps
Locked Rotor Current:	0.40 Amps
Nominal Speed:	3100 RPM

Mechanical Specifications

Dimensions:	4.7 x 4.7 x 1.5 in
Weight:	21.5 oz
Max Airflow @ 0 in H ₂ O:	110.0 CFM
Max Pressure @ 0 CFM:	0.278 in H ₂ O
Noise:	50.0 dBA



Mechanical Drawing



Comair Rotron, Inc. Phone: 858.348.6200 FAX: 858.566.4577 sales@comairrotron.com	ThermaFlo, Inc. Phone: 972.312.8609 FAX: 972.312.8617 info@thermaflo.com	Comair Rotron Europe, Ltd. Phone: +44.1527.520525 FAX: +44.1527.520565 saleseurope@comairrotron.com	Comair Rotron Fan Company Ltd. Phone: +86.21.52260581 FAX: +86.21.52260597 salesasia@comairrotron.com
--	--	---	---

Print Date: Saturday, August 18, 2007 at 23:33:24 - DC Fan Datasheet - Web Version 1.0 Rev. B



Fan Performance Curve

Fan Configuration Options

Muffin XL (Family)	MD48B1 (Model)	/ 028867 (Part #)	Yes (In Stock)	305 mm [12 inch] Leads (Features)
Fan Speed:	3100 RPM	Fan Bearings:	Ball Bearings	
Fan Airflow Direction:	Flow L (CW Rotation)	Fan Termination:	Leads	
Fan Monitoring Options:	No Fan Monitoring Options Selected			
Fan Speed Control Option:	No ThermaPro -V Fan Speed Control Options Selected			
Environmental Protection Options:	No Enviroshield Options Selected			

Comair Rotron, Inc. Phone: 858.348.6200 FAX: 858.566.4577 sales@comairrotron.com	ThermaFlo, Inc. Phone: 972.312.8609 FAX: 972.312.8617 info@thermaflo.com	Comair Rotron Europe, Ltd. Phone: +44.1527.520525 FAX: +44.1527.520565 saleseurope@comairrotron.com	Comair Rotron Fan Company Ltd. Phone: +86.21.52260581 FAX: +86.21.52260597 salesasia@comairrotron.com
--	--	---	---

Print Date: Saturday, August 18, 2007 at 23:33:24 - DC Fan Datasheet - Web Version 1.0 Rev. B



Accessories (Click on part number for detailed drawing.)

<p>571064 Plug and Cord</p>	<p>550113 Mounting Clip</p>	<p>551590 Filter Assembly</p>	<p>554148 Filter Guard Assembly</p>
<p>552934 Finger Guard</p>	<p>476042 Finger Guard</p>	<p>550481 Finger Guard</p>	<p>551147 Finger Guard</p>

Comair Rotron, Inc. Phone: 858.348.6200 FAX: 858.566.4577 sales@comairrotron.com	ThermaFlo, Inc. Phone: 972.312.8609 FAX: 972.312.8617 info@thermaflo.com	Comair Rotron Europe, Ltd. Phone: +44.1527.520525 FAX: +44.1527.520565 saleseurope@comairrotron.com	Comair Rotron Fan Company Ltd. Phone: +86.21.52260581 FAX: +86.21.52260597 salesasia@comairrotron.com
--	--	---	---

Print Date: Saturday, August 18, 2007 at 23:33:24 - DC Fan Datasheet - Web Version 1.0 Rev. B