



Chipsmall Limited consists of a professional team with an average of over 10 year of expertise in the distribution of electronic components. Based in Hongkong, we have already established firm and mutual-benefit business relationships with customers from,Europe,America and south Asia,supplying obsolete and hard-to-find components to meet their specific needs.

With the principle of "Quality Parts,Customers Priority,Honest Operation,and Considerate Service",our business mainly focus on the distribution of electronic components. Line cards we deal with include Microchip,ALPS,ROHM,Xilinx,Pulse,ON,Everlight and Freescale. Main products comprise IC,Modules,Potentiometer,IC Socket,Relay,Connector.Our parts cover such applications as commercial,industrial, and automotives areas.

We are looking forward to setting up business relationship with you and hope to provide you with the best service and solution. Let us make a better world for our industry!



Contact us

Tel: +86-755-8981 8866 Fax: +86-755-8427 6832

Email & Skype: info@chipsmall.com Web: www.chipsmall.com

Address: A1208, Overseas Decoration Building, #122 Zhenhua RD., Futian, Shenzhen, China



SPECIFICATIONS

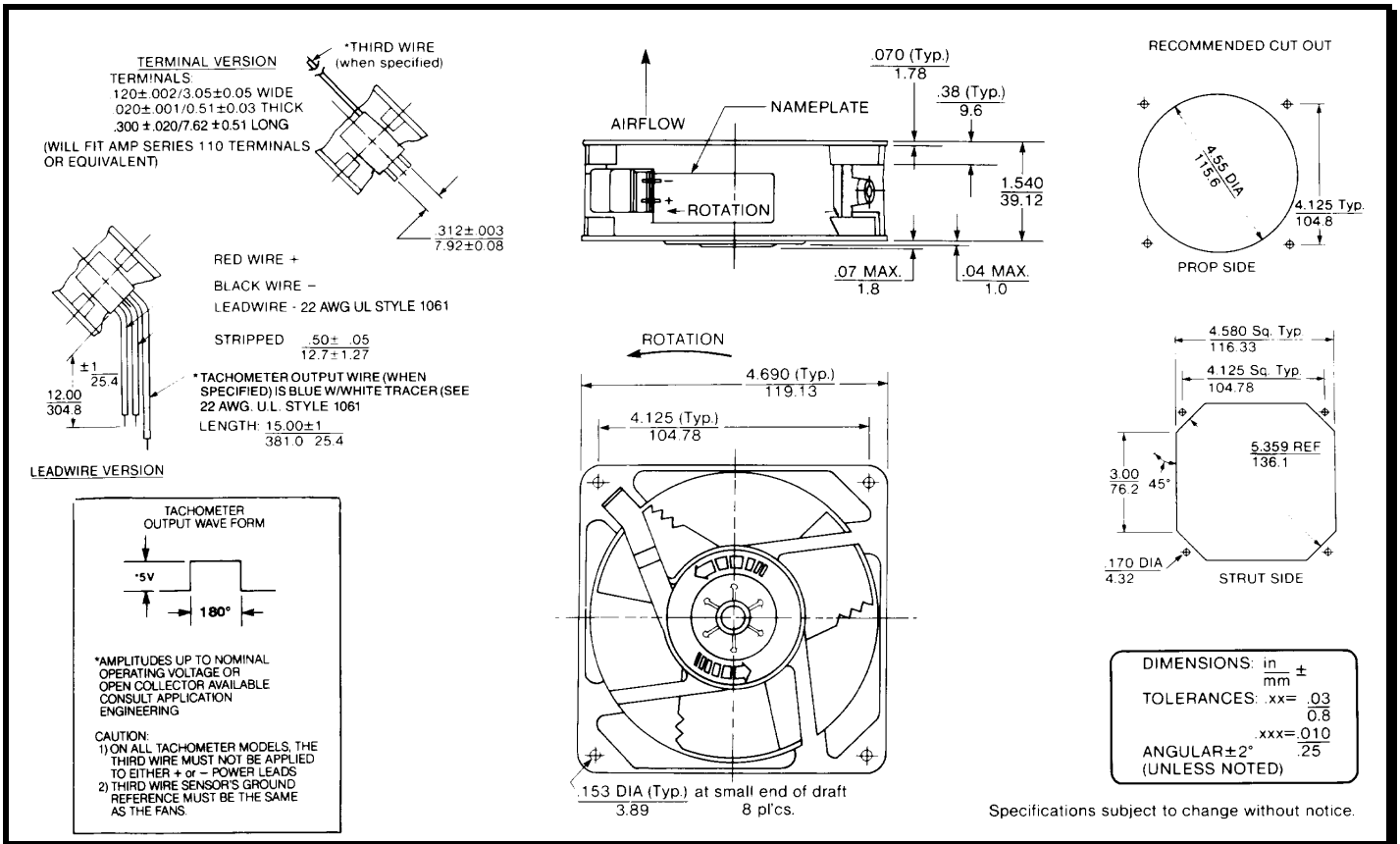
(RoHS Compliant)



Model Number: MD12B5
Part Number: 19028885A
Drawing Number: 26021749A00

January 25 2013

Mechanical Drawing:



Mechanical Drawing:

Motor:

Nominal Voltage = 12 vdc
 Operating Voltage Range = 6 - 14vdc
 Nominal Running Current = 0.500 amps
 Locked Rotor Current = 1.500 amps
 Running Power = 6.0 watts
 Average Speed = 3100 rpm
 Bearings = Ball
 Air Flow (see curve attached) = 110 CFM

Construction:

Venturi: Die-Cast Zinc Alloy, Black
 Propeller: Polypropylene, Black, UL94V-0

Life Expectancy:

This fan is designed for continuous duty life of 83,000 hours at 40°C.

Additional Features:

Brushless DC Motor
 Electronic Locked Rotor Protected
 Polarity Protected
 Automatic Restart Capability
 Operating Temperature: -10°C to 70°C
 Storage Temperature: -40°C to 85°C

Tachometer:

Output: 5 volt TTL
 I_c: 5 mA Max.
 Isolated: No
 Pulses per Rev.: 1

Termination:

12" Lead wires, 22AWG, UL 1061
 Red - Fan Power, (+)
 Black - Fan Ground, (-)
 Blue/White - Tachometer, (output)