



Chipsmall Limited consists of a professional team with an average of over 10 year of expertise in the distribution of electronic components. Based in Hongkong, we have already established firm and mutual-benefit business relationships with customers from,Europe,America and south Asia,supplying obsolete and hard-to-find components to meet their specific needs.

With the principle of “Quality Parts,Customers Priority,Honest Operation,and Considerate Service”,our business mainly focus on the distribution of electronic components. Line cards we deal with include Microchip,ALPS,ROHM,Xilinx,Pulse,ON,Everlight and Freescale. Main products comprise IC,Modules,Potentiometer,IC Socket,Relay,Connector.Our parts cover such applications as commercial,industrial, and automotives areas.

We are looking forward to setting up business relationship with you and hope to provide you with the best service and solution. Let us make a better world for our industry!



Contact us

Tel: +86-755-8981 8866 Fax: +86-755-8427 6832

Email & Skype: info@chipsmall.com Web: www.chipsmall.com

Address: A1208, Overseas Decoration Building, #122 Zhenhua RD., Futian, Shenzhen, China



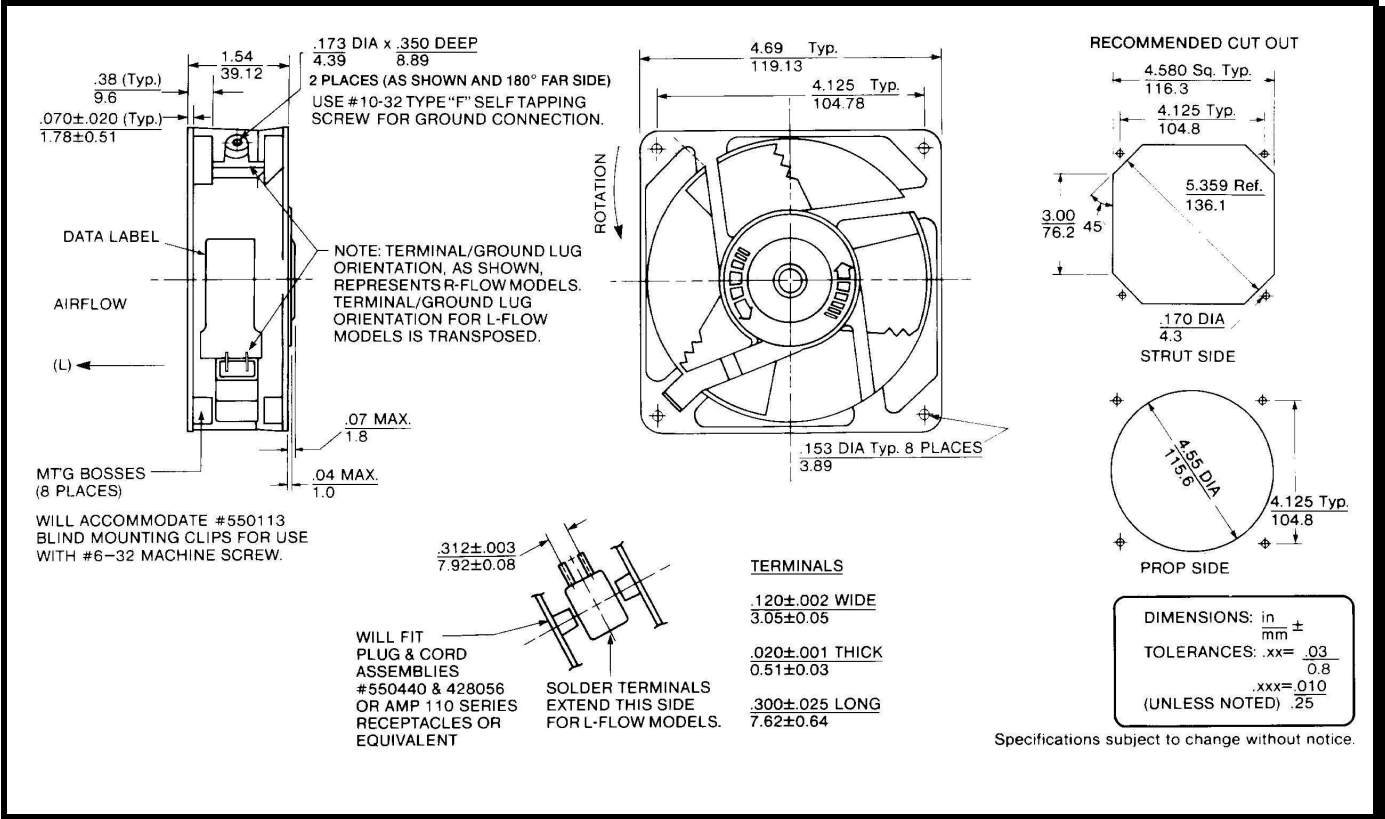
SPECIFICATIONS

RoHS Compliant



Model Number: MX2B4
Part Number: 030389

Mechanical Drawing:



Motor:

Nominal Voltage	= 115 VAC
Frequency	= 50/60 Hertz
Nominal Running Current	= 0.20/0.18 Amps
Locked Rotor Current	= 0.26/0.24 Amps
Running Power	= 17/15 Watts
Average Speed	= 2700/3100 RPM
Bearings	= Ball
Air Flow	= 115 CFM

Construction:
 Venturi: Zinc Alloy, painted black.
 Propeller: flame retardent polypropylene with patented Feathered Edge.

Life Expectancy:
 This fan is designed for continuous duty life of 55,000 hours at 40°C

Additional Features:

- Leadwires:
 - UL 1015
 - 22 AWG
 - Black
 - 12" inches

Agency Approvals:
 UL