



Chipsmall Limited consists of a professional team with an average of over 10 year of expertise in the distribution of electronic components. Based in Hongkong, we have already established firm and mutual-benefit business relationships with customers from,Europe,America and south Asia,supplying obsolete and hard-to-find components to meet their specific needs.

With the principle of “Quality Parts,Customers Priority,Honest Operation,and Considerate Service”,our business mainly focus on the distribution of electronic components. Line cards we deal with include Microchip,ALPS,ROHM,Xilinx,Pulse,ON,Everlight and Freescale. Main products comprise IC,Modules,Potentiometer,IC Socket,Relay,Connector.Our parts cover such applications as commercial,industrial, and automotives areas.

We are looking forward to setting up business relationship with you and hope to provide you with the best service and solution. Let us make a better world for our industry!



## Contact us

Tel: +86-755-8981 8866 Fax: +86-755-8427 6832

Email & Skype: info@chipsmall.com Web: www.chipsmall.com

Address: A1208, Overseas Decoration Building, #122 Zhenhua RD., Futian, Shenzhen, China



# SPECIFICATIONS

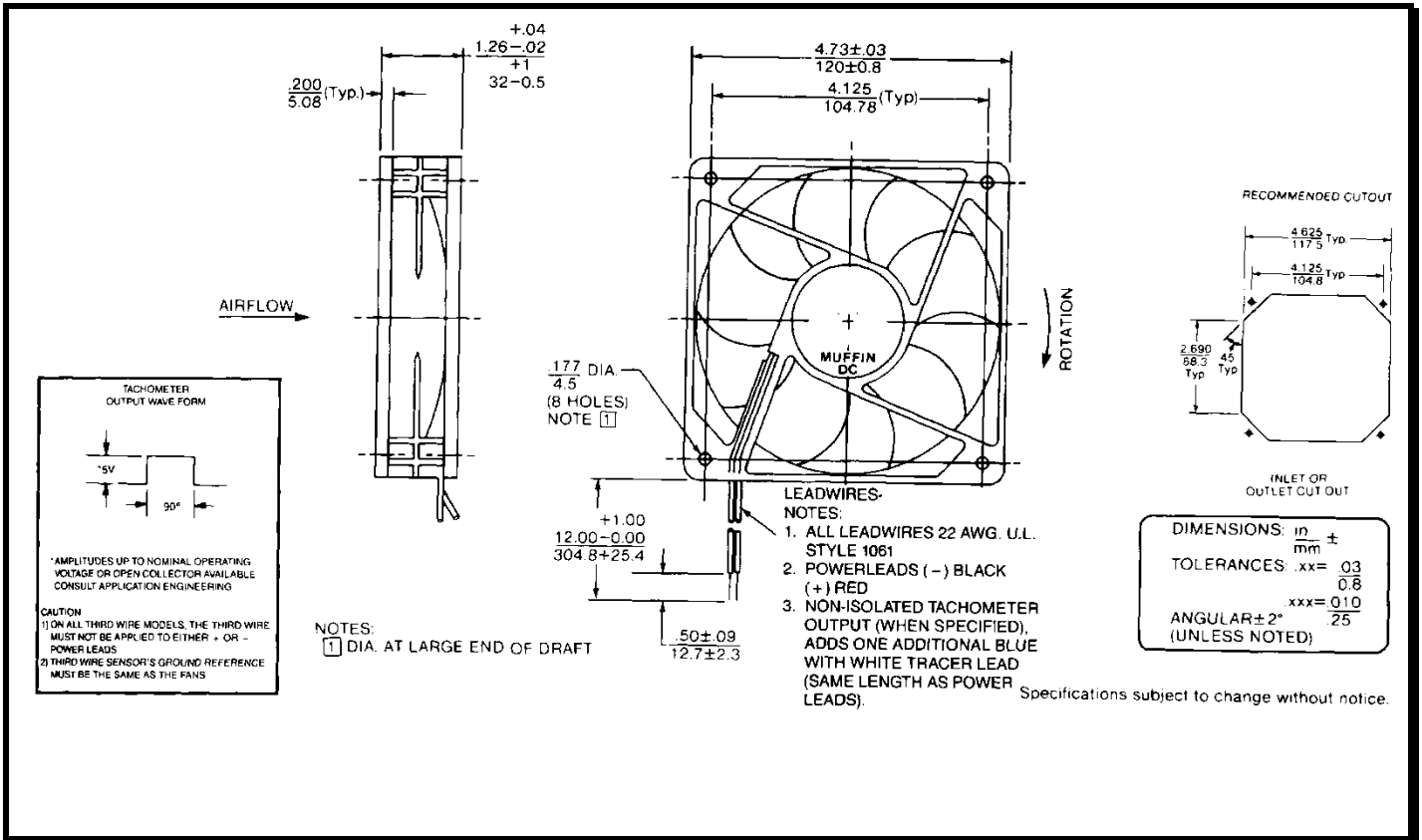
(RoHS Compliant)

Model Number: MC48B3  
Part Number: 19030573A

SPEC NUMBER: 26014019A01  
Jan.01.2013



## Mechanical Drawing:



### Motor:

Nominal Voltage = 48 vdc  
Operating Voltage Range = 24 - 56 vdc  
Nominal Running Current = 0.180 amps  
Locked Rotor Current = 0.450 amps  
Running Power = 8.4 watts  
Average Speed = 3700 RPM  
Bearings = Ball  
Air Flow = 102 CFM  
Acoustic = 47.8 dBA

### Construction:

Venturi: Glass filled nylon, black, UL 94V-0  
Propeller: Plastic, Black, UL 94V-0

### Life Expectancy:

This fan is designed for continuous duty life of 75,000 hours at 40°C.

### Additional Features:

Brushless DC Motor  
Polarity Protected  
Electronic Locked Rotor Protection  
Automatic Restart Capability  
Operating Temperature: -10°C to 70°C  
Storage Temperature: -40°C to 85°C

### Termination:

12" Lead wires, 22AWG, UL 1061  
Red - Power  
Black - Return

### Agency Approvals:

UL