



Chipsmall Limited consists of a professional team with an average of over 10 year of expertise in the distribution of electronic components. Based in Hongkong, we have already established firm and mutual-benefit business relationships with customers from,Europe,America and south Asia,supplying obsolete and hard-to-find components to meet their specific needs.

With the principle of “Quality Parts,Customers Priority,Honest Operation,and Considerate Service”,our business mainly focus on the distribution of electronic components. Line cards we deal with include Microchip,ALPS,ROHM,Xilinx,Pulse,ON,Everlight and Freescale. Main products comprise IC,Modules,Potentiometer,IC Socket,Relay,Connector.Our parts cover such applications as commercial,industrial, and automotives areas.

We are looking forward to setting up business relationship with you and hope to provide you with the best service and solution. Let us make a better world for our industry!



## Contact us

Tel: +86-755-8981 8866 Fax: +86-755-8427 6832

Email & Skype: info@chipsmall.com Web: www.chipsmall.com

Address: A1208, Overseas Decoration Building, #122 Zhenhua RD., Futian, Shenzhen, China



# SPECIFICATIONS

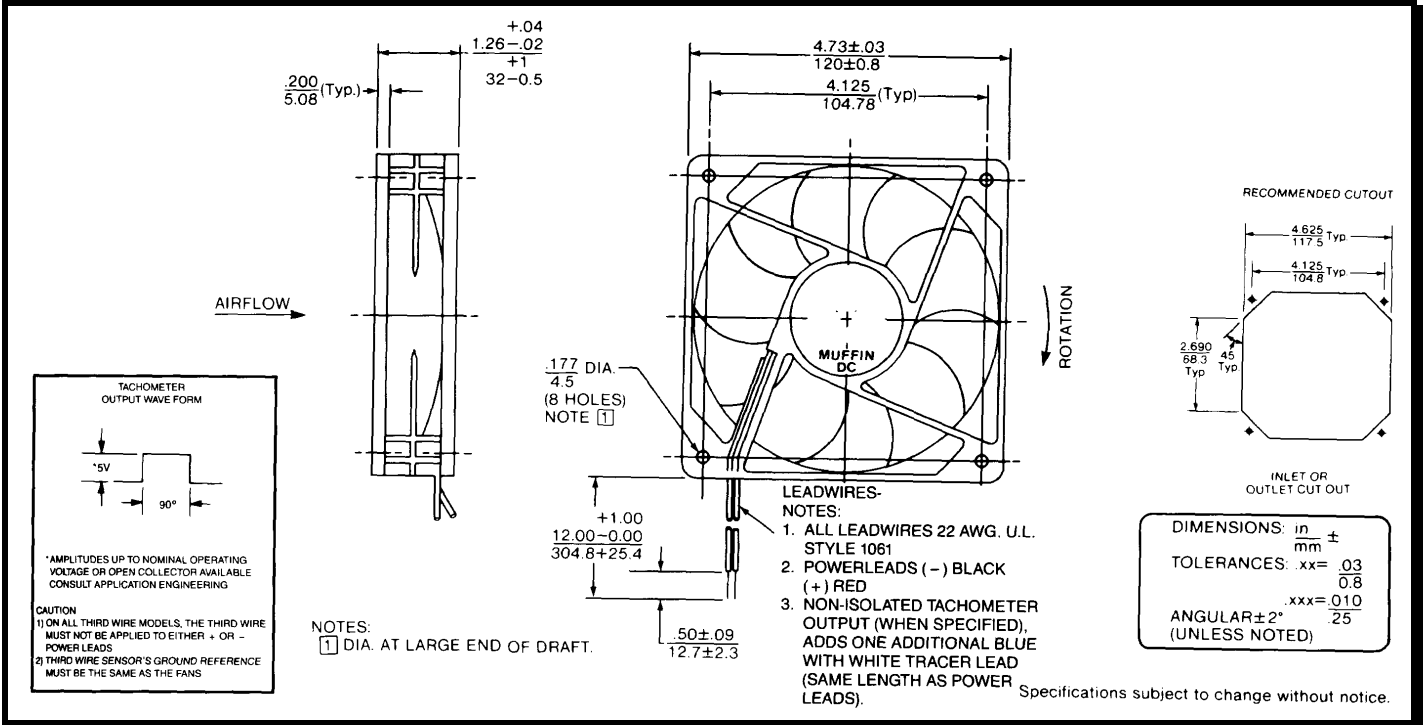
(RoHS Compliant)



**Model Number:** MC24B7  
**Part Number:** 19030599A

**Drawing Number:** 26020940A00  
**Jan.01.2013**

## Mechanical Drawing:



### Motor:

Nominal Voltage = 24 vdc  
 Operating Voltage Range = 12 - 28 vdc  
 Nominal Running Current = 0.230 amps  
 Locked Rotor Current = 0.830 amps  
 Running Power = 5.5 watts  
 Average Speed = 3700  
 Bearings = Ball  
 Air Flow = 102 cfm  
 Acoustic = 47.8 dBA

### Construction:

Venturi: Plastic, Black, UL 94V-0  
 Propeller: Plastic, Black, UL 94V-0

### Life Expectancy:

This fan is designed for continuous duty life of 75,000 hours at 40°C.

### Agency Approvals:

UL, CE

### Additional Features:

Brushless DC Motor  
 Polarity Protected.  
 Locked Rotor Protection  
 Automatic Restart  
 Operating Temperature: -10°C to 70°C  
 Storage Temperature: -40°C to 85°C

### Tachometer:

Output: 5 V TTL  
 I<sub>c</sub>: 5 mA Typical  
 Pulses per Revolution: 2  
 Isolated: No

### Termination:

12" Lead wires, 22 AWG, UL 1061  
 Red = Power (+)  
 Black = Ground (-)  
 Blue/White = Tachometer (Output)