



Chipsmall Limited consists of a professional team with an average of over 10 year of expertise in the distribution of electronic components. Based in Hongkong, we have already established firm and mutual-benefit business relationships with customers from,Europe,America and south Asia,supplying obsolete and hard-to-find components to meet their specific needs.

With the principle of “Quality Parts,Customers Priority,Honest Operation,and Considerate Service”,our business mainly focus on the distribution of electronic components. Line cards we deal with include Microchip,ALPS,ROHM,Xilinx,Pulse,ON,Everlight and Freescale. Main products comprise IC,Modules,Potentiometer,IC Socket,Relay,Connector.Our parts cover such applications as commercial,industrial, and automotives areas.

We are looking forward to setting up business relationship with you and hope to provide you with the best service and solution. Let us make a better world for our industry!



Contact us

Tel: +86-755-8981 8866 Fax: +86-755-8427 6832

Email & Skype: info@chipsmall.com Web: www.chipsmall.com

Address: A1208, Overseas Decoration Building, #122 Zhenhua RD., Futian, Shenzhen, China



SPECIFICATIONS

RoHS Compliant

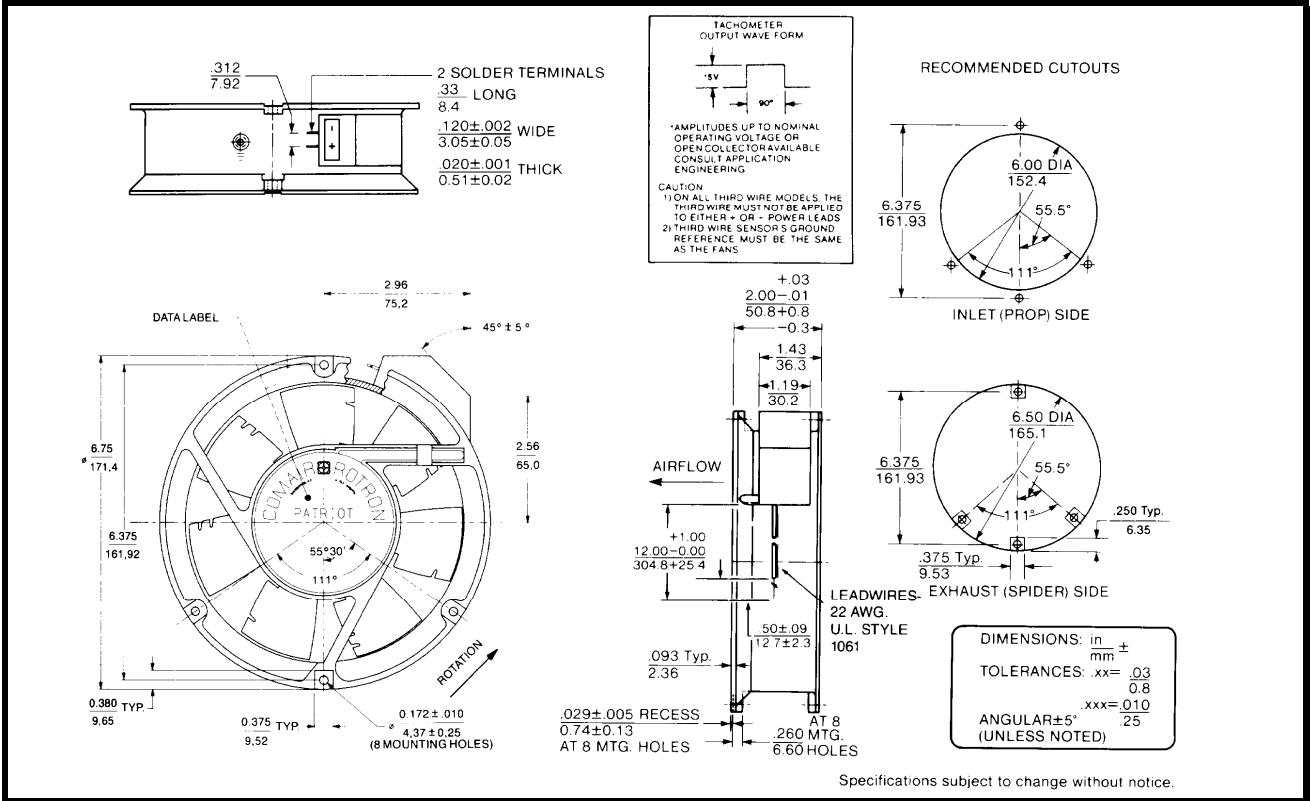


Model Number: PQ24B7

Part Number: 031263

November 10, 2006

Mechanical Drawing:



Motor:

Nominal Voltage	= 24 vdc
Operating Voltage Range	= 12 - 28 vdc
Running Current	= 1.00 amps
Locked Rotor Current	= 2.00 amps
Running Power	= 24 watts
Average Speed	= 3500 RPM
Air Flow	= 235 CFM
Bearings	= Ball
Acoustic	= 51.2 dBA

Construction:

Venturi: Single Piece, Die-Cast Aluminum, Black
 Propeller: Plastic, Black, UL 94V-0

Agency Approvals:

UL, CE

Life Expectancy:

This fan is designed for continuous duty life of 82,500 hours at 50°C.

Features:

- Brushless DC Motor
- Locked Rotor Protection
- Automatic Restart Capability
- Polarity Protected
- Operating Temperature: -10°C to 70°C
- Storage Temperature: -40°C to 85°C

Tachometer Specifications:

Output:	5 volt TTL Compatible
I _c :	5 vdc Typical
Pulses Per Revolution:	2
Isolated:	No

Termination:

12" Lead-wires, AWG 22, UL 1061	
Red:	= Power (+)
Black:	= Return (-)
Blue/White:	= Tachometer (Output)