



Chipsmall Limited consists of a professional team with an average of over 10 year of expertise in the distribution of electronic components. Based in Hongkong, we have already established firm and mutual-benefit business relationships with customers from,Europe,America and south Asia,supplying obsolete and hard-to-find components to meet their specific needs.

With the principle of “Quality Parts,Customers Priority,Honest Operation,and Considerate Service”,our business mainly focus on the distribution of electronic components. Line cards we deal with include Microchip,ALPS,ROHM,Xilinx,Pulse,ON,Everlight and Freescale. Main products comprise IC,Modules,Potentiometer,IC Socket,Relay,Connector.Our parts cover such applications as commercial,industrial, and automotives areas.

We are looking forward to setting up business relationship with you and hope to provide you with the best service and solution. Let us make a better world for our industry!



## Contact us

Tel: +86-755-8981 8866 Fax: +86-755-8427 6832

Email & Skype: info@chipsmall.com Web: www.chipsmall.com

Address: A1208, Overseas Decoration Building, #122 Zhenhua RD., Futian, Shenzhen, China



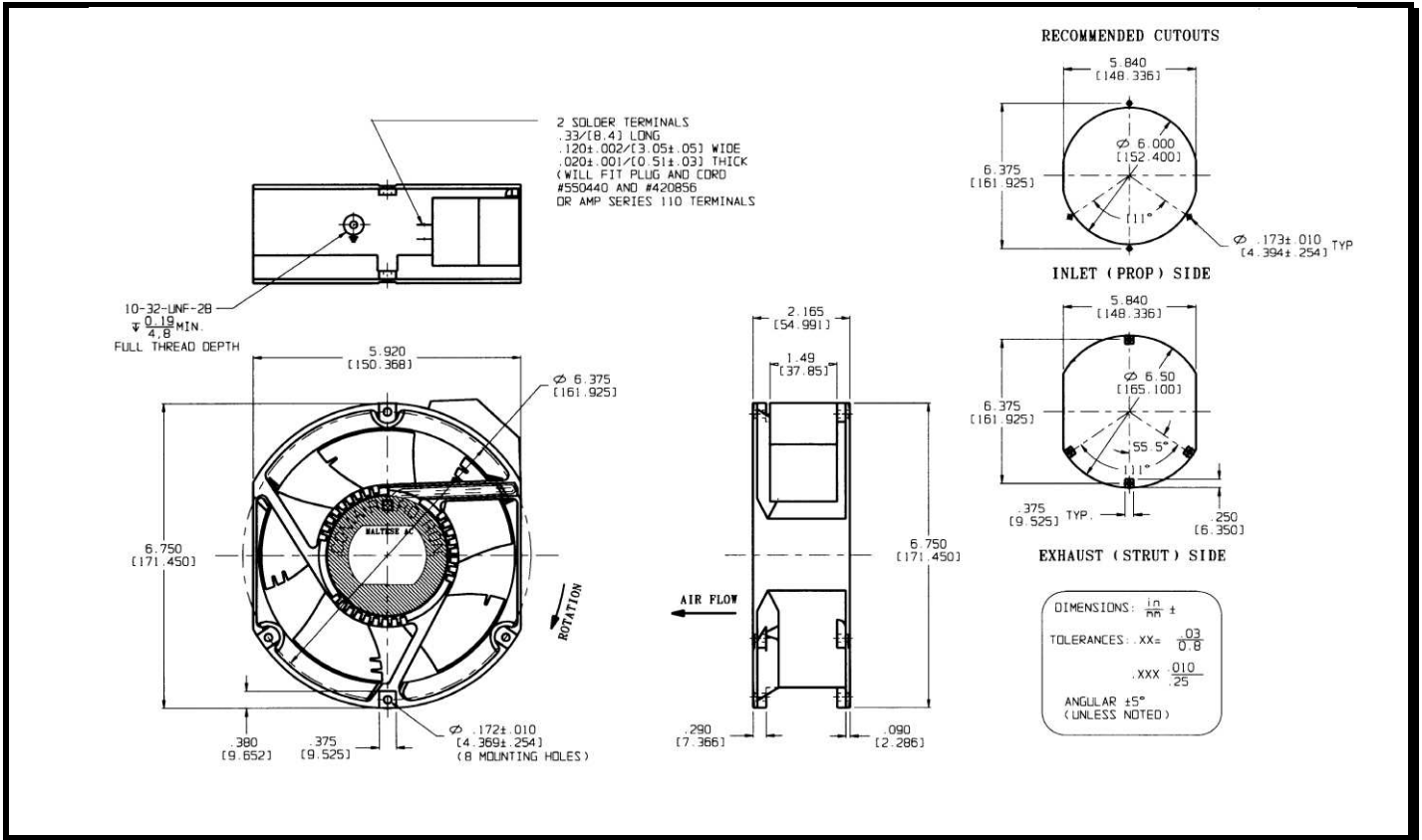
# SPECIFICATIONS



**Model Number:** MA2B3  
**Part Number:** 19031842A

**Version:** 01  
**Jan 08, 2018**

## Mechanical Drawing:



### Motor:

Nominal Voltage = 115 VAC  
 Frequency = 50 / 60 Hz  
 Nominal Running Current = 0.33 / 0.36 Amps  
 Max. Locked Rotor Current = 0.750 Amps  
 Running Power = 40.5 / 41.4 Watts  
 Average Speed = 2850 / 3400 RPM  
 Bearings = Ball  
 Air Flow = 250 / 300 CFM  
 Acoustic = 54.8/ 56.5 dBA

### Construction:

Venturi: Single piece Die-Cast Aluminum, Black  
 Propeller: Polycarbonate, Black, UL 94V-0.

### Life Expectancy:

This fan is designed for continuous duty life of 55,000 hours at 40°C.

### Additional Features:

Permanent Split Capacitor Motor  
 Automatic Reset Thermal Protector  
 Feathered Edge Propeller  
 Operating Temperature: -10°C to 70°C  
 Storage Temperature: -40°C to 85°C

### Termination:

2x0.11" Terminals

### Agency Approvals:

UL, CUL, CE

**PQ Curve:**

