



Chipsmall Limited consists of a professional team with an average of over 10 year of expertise in the distribution of electronic components. Based in Hongkong, we have already established firm and mutual-benefit business relationships with customers from,Europe,America and south Asia,supplying obsolete and hard-to-find components to meet their specific needs.

With the principle of “Quality Parts,Customers Priority,Honest Operation,and Considerate Service”,our business mainly focus on the distribution of electronic components. Line cards we deal with include Microchip,ALPS,ROHM,Xilinx,Pulse,ON,Everlight and Freescale. Main products comprise IC,Modules,Potentiometer,IC Socket,Relay,Connector.Our parts cover such applications as commercial,industrial, and automotives areas.

We are looking forward to setting up business relationship with you and hope to provide you with the best service and solution. Let us make a better world for our industry!



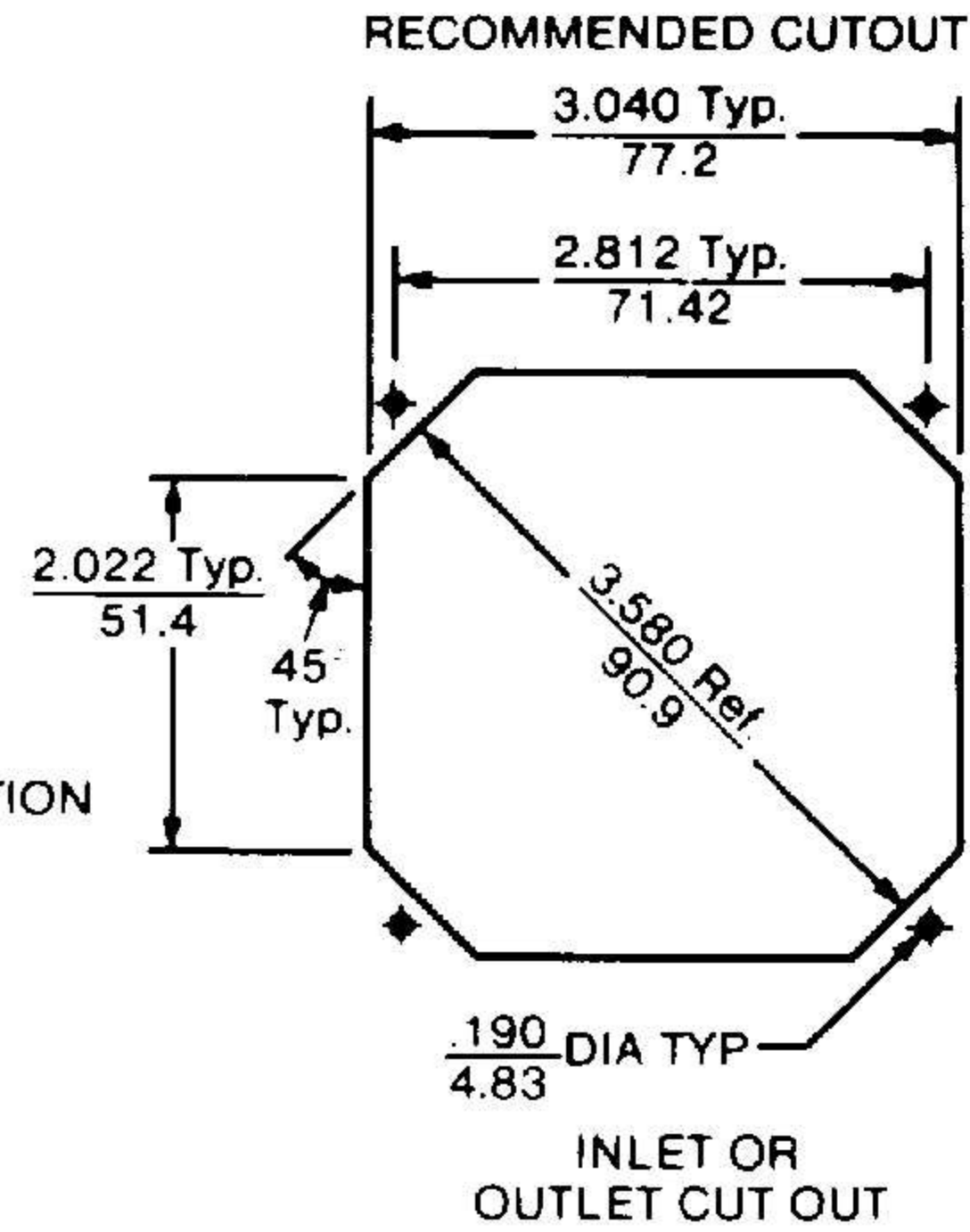
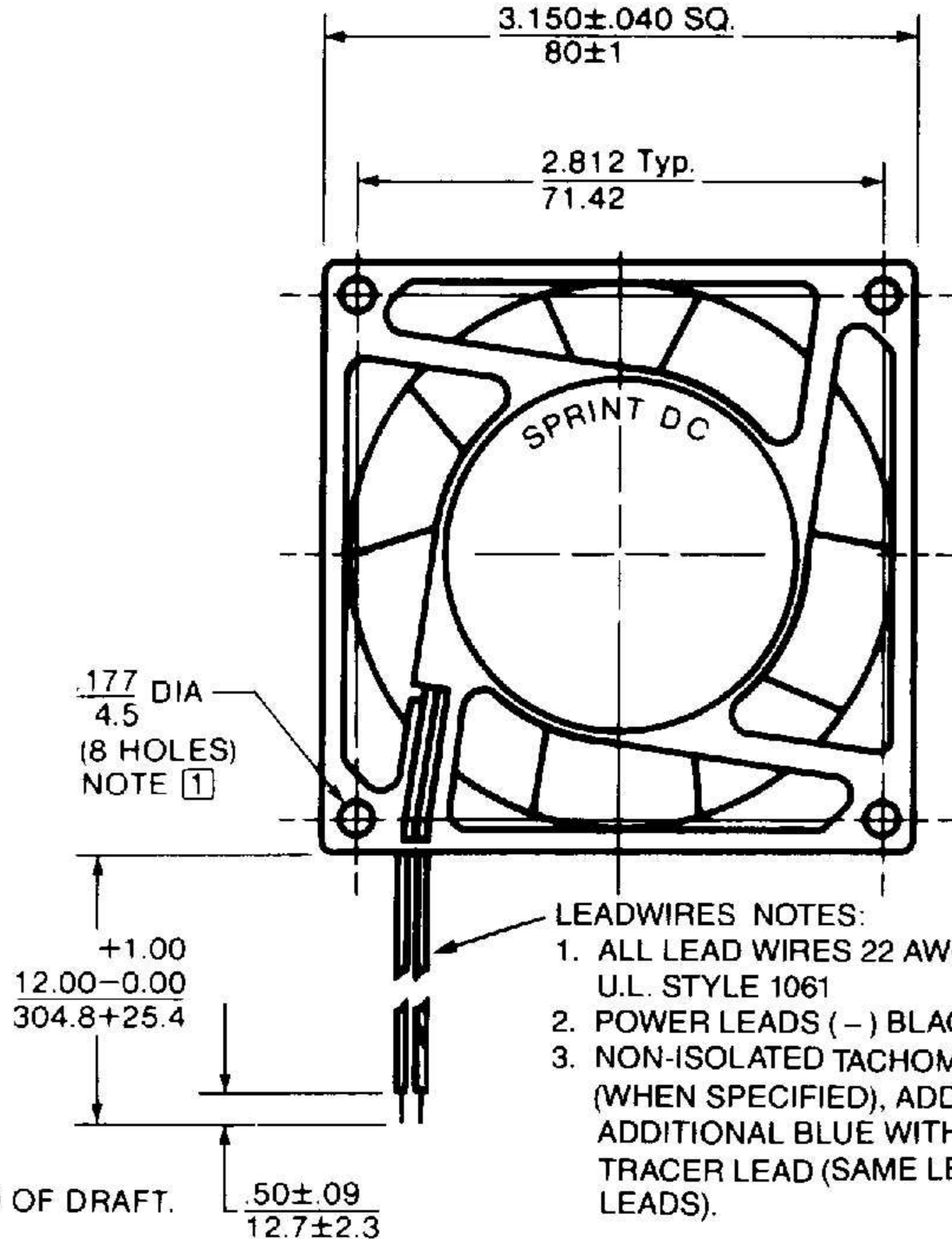
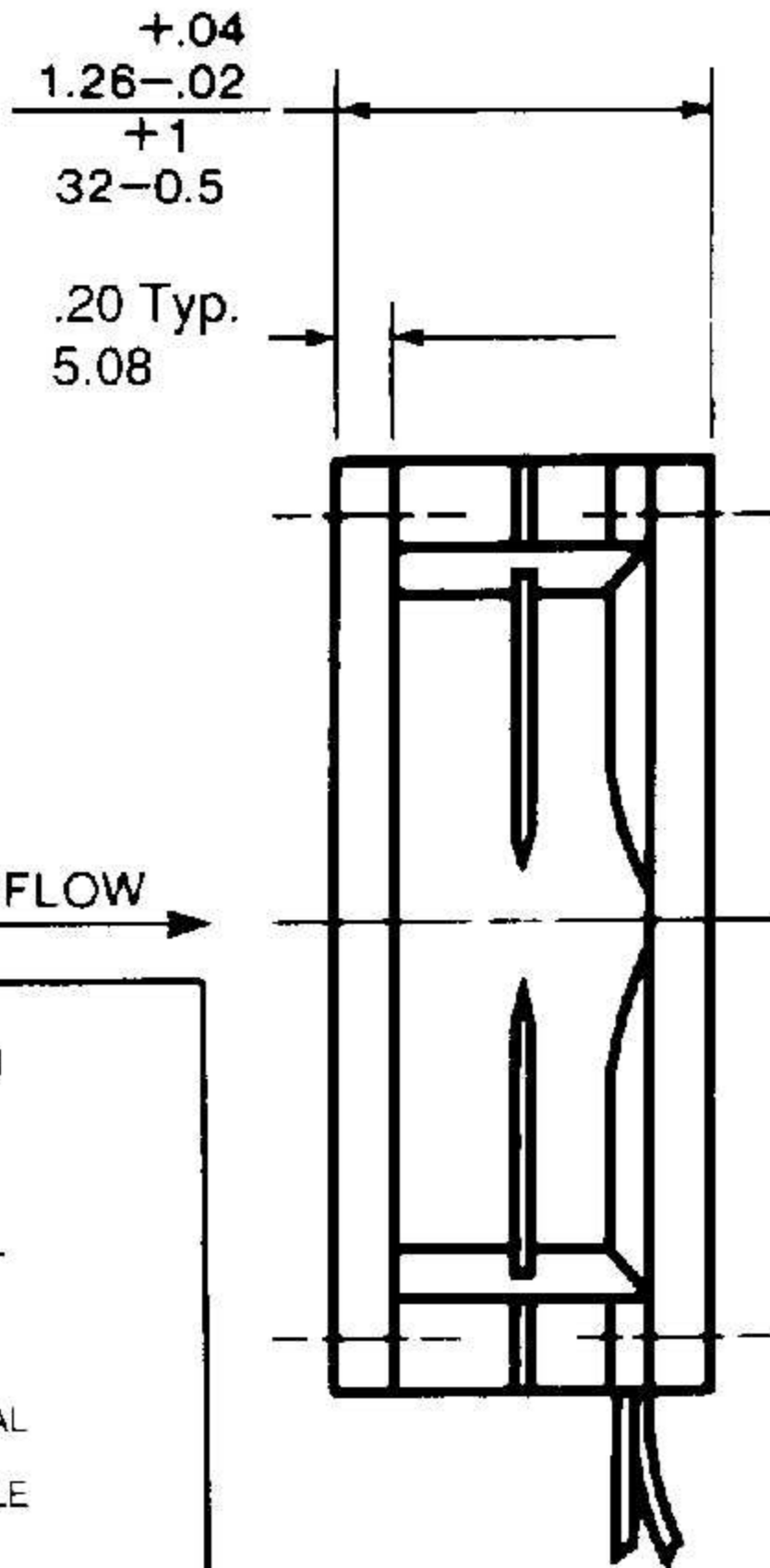
Contact us

Tel: +86-755-8981 8866 Fax: +86-755-8427 6832

Email & Skype: info@chipsmall.com Web: www.chipsmall.com

Address: A1208, Overseas Decoration Building, #122 Zhenhua RD., Futian, Shenzhen, China





TACHOMETER OUTPUT WAVE FORM

*AMPLITUDES UP TO NOMINAL OPERATING VOLTAGE OR OPEN COLLECTOR AVAILABLE CONSULT APPLICATION ENGINEERING

CAUTION:

- 1) ON ALL TACHOMETER MODELS, THE THIRD WIRE MUST NOT BE APPLIED TO EITHER + or - POWER LEADS
- 2) THIRD WIRE SENSOR'S GROUND REFERENCE MUST BE THE SAME AS THE FANS.

NOTES:
 1) DIA AT LARGE END OF DRAFT.

LEADWIRES NOTES:

1. ALL LEAD WIRES 22 AWG. U.L. STYLE 1061
2. POWER LEADS (-) BLACK (+) RED
3. NON-ISOLATED TACHOMETER OUTPUT (WHEN SPECIFIED), ADDS ONE ADDITIONAL BLUE WITH WHITE TRACER LEAD (SAME LENGTH AS POWER LEADS).

DIMENSIONS: in ±
mm

TOLERANCES: .xx = $\frac{.03}{0.8}$
 .xxx = $\frac{.010}{.25}$

ANGULAR ±2° (UNLESS NOTED)

Specifications subject to change without notice.