



Chipsmall Limited consists of a professional team with an average of over 10 year of expertise in the distribution of electronic components. Based in Hongkong, we have already established firm and mutual-benefit business relationships with customers from,Europe,America and south Asia,supplying obsolete and hard-to-find components to meet their specific needs.

With the principle of "Quality Parts,Customers Priority,Honest Operation,and Considerate Service",our business mainly focus on the distribution of electronic components. Line cards we deal with include Microchip,ALPS,ROHM,Xilinx,Pulse,ON,Everlight and Freescale. Main products comprise IC,Modules,Potentiometer,IC Socket,Relay,Connector.Our parts cover such applications as commercial,industrial, and automotives areas.

We are looking forward to setting up business relationship with you and hope to provide you with the best service and solution. Let us make a better world for our industry!



Contact us

Tel: +86-755-8981 8866 Fax: +86-755-8427 6832

Email & Skype: info@chipsmall.com Web: www.chipsmall.com

Address: A1208, Overseas Decoration Building, #122 Zhenhua RD., Futian, Shenzhen, China

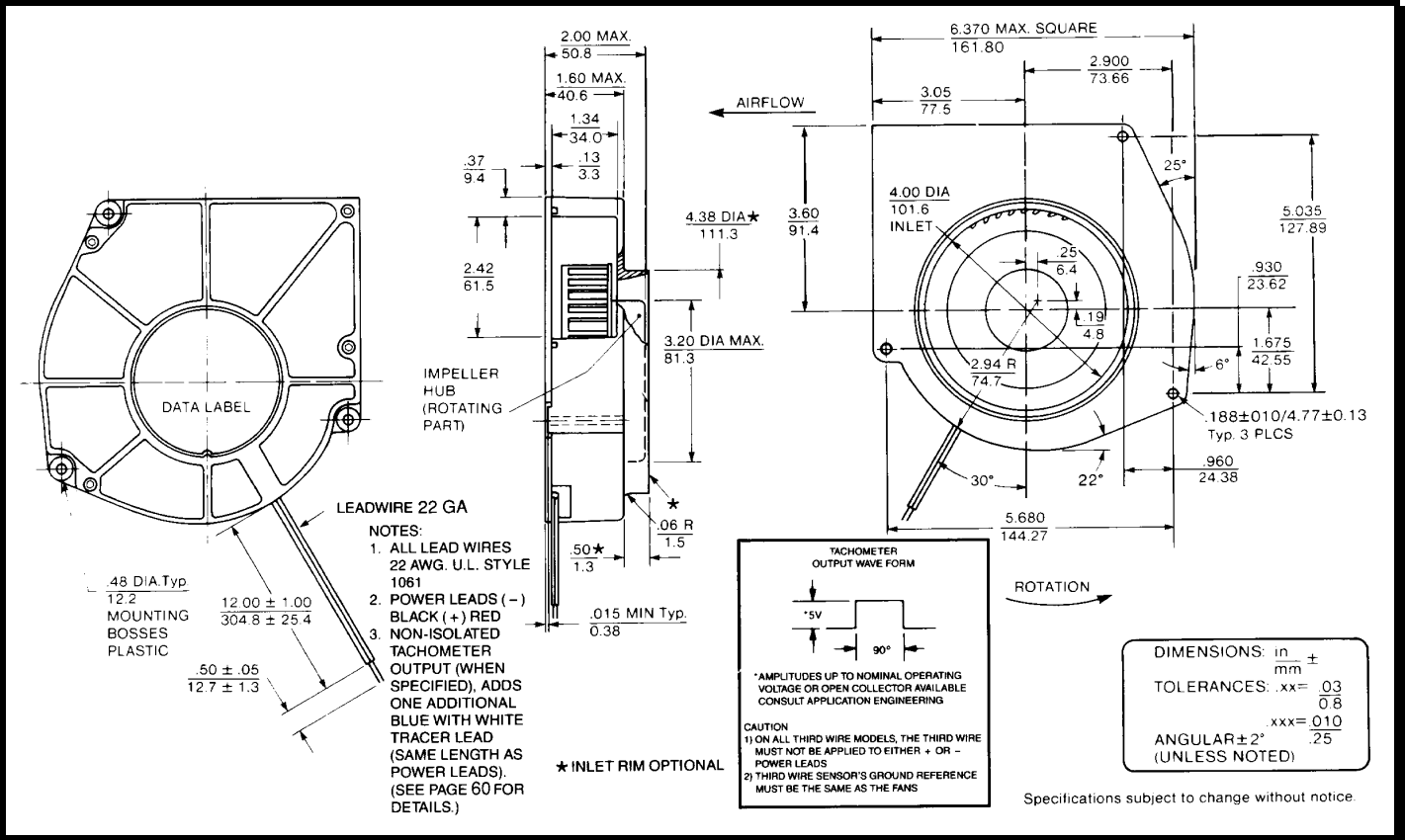


SPECIFICATIONS



Model Number: SPD24B1
Part Number: 19032183A SPEC NUMBER: 26013955A00 April 7, 2005

Mechanical Drawing:



Specifications:

Nominal Voltage	= 24 vdc
Operating Voltage Range	= 12 - 28 vdc
Nominal Running Current	= 1.250 amps
Locked Rotor Current	= 2.000 amps
Running Power	= 30.0 watts
Average Speed	= 2500 rpm
Bearings	= Ball
Air Flow	= 60 CFM
Acoustic	= 57.0 dBA

Construction:

Backplate: Die-Cast Zinc Alloy
 Housing & Propeller: Plastic, Black, UL 94V-0

Life Expectancy:

This fan is designed for continuous duty life of 62,000 hours at 50°C.

Features:

- Polarity Protected
- Brushless DC Motor Design
- Electronic Locked Rotor Protection
- Automatic Restart Capability
- Operating Temperature: -10°C to 70°C
- Storage Temperature: -40°C to 85°C

Termination:

- 12" Lead wires, 22 AWG, UL 1061
- Fan power - Red
- Fan ground - Black

Agency Approvals:

UL