



Chipsmall Limited consists of a professional team with an average of over 10 year of expertise in the distribution of electronic components. Based in Hongkong, we have already established firm and mutual-benefit business relationships with customers from,Europe,America and south Asia,supplying obsolete and hard-to-find components to meet their specific needs.

With the principle of “Quality Parts,Customers Priority,Honest Operation,and Considerate Service”,our business mainly focus on the distribution of electronic components. Line cards we deal with include Microchip,ALPS,ROHM,Xilinx,Pulse,ON,Everlight and Freescale. Main products comprise IC,Modules,Potentiometer,IC Socket,Relay,Connector.Our parts cover such applications as commercial,industrial, and automotives areas.

We are looking forward to setting up business relationship with you and hope to provide you with the best service and solution. Let us make a better world for our industry!



## Contact us

Tel: +86-755-8981 8866 Fax: +86-755-8427 6832

Email & Skype: info@chipsmall.com Web: www.chipsmall.com

Address: A1208, Overseas Decoration Building, #122 Zhenhua RD., Futian, Shenzhen, China



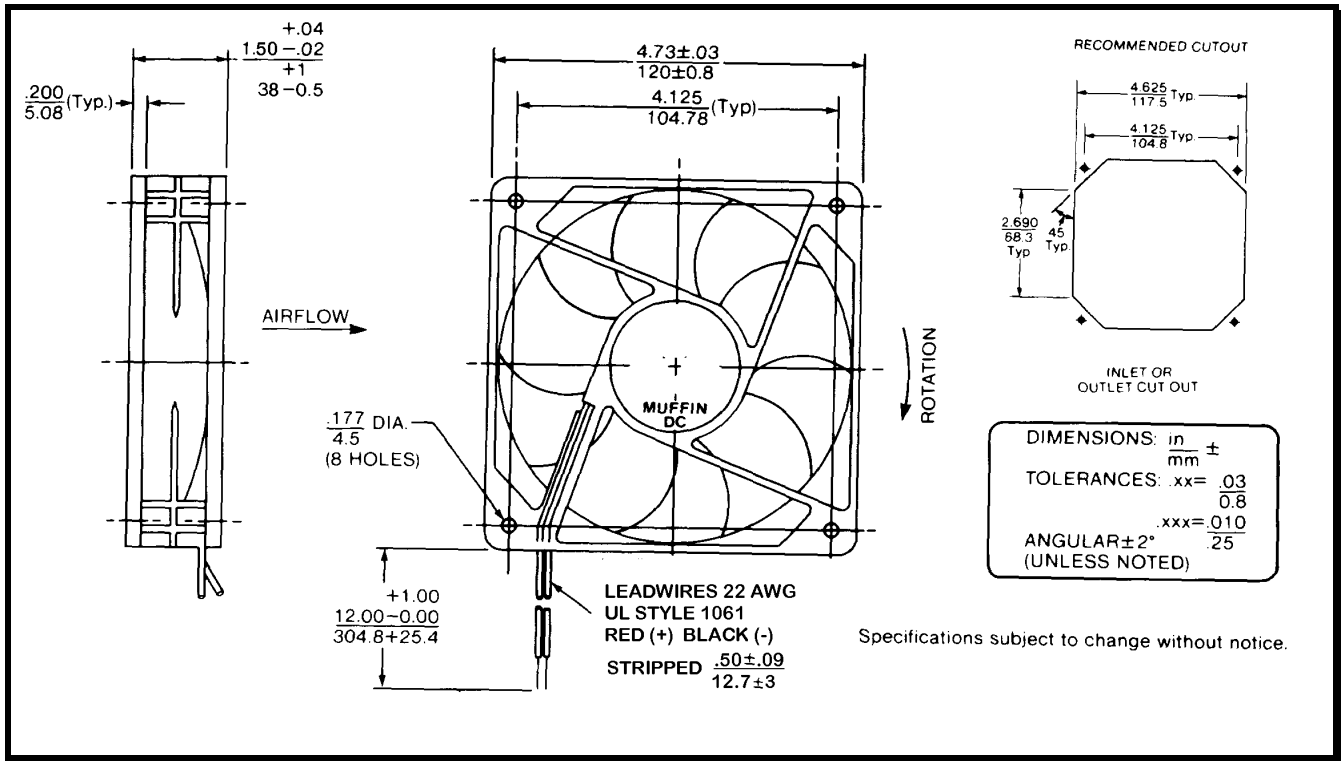
# SPECIFICATIONS



**Model Number:** MS12B3  
**Part Number:** 19032525A  
**SPEC Number:** 26019631A Rev:00

September 3, 2012

## Mechanical Drawing:



### Motor:

Nominal Voltage	= 12 vdc
Operating Voltage Range	= 6 - 14 vdc
Nominal Running Current	= 0.580 amps
Max. Locked Rotor Current	= 1.45 amps
Running Power	= 7.0 watts
Average Speed	= 2900 RPM
Bearings	= Ball
Air Flow	= 110 CFM
Acoustic	= 49.1 dBA

### Construction:

Venturi: Plastic, Black, UL 94V-0  
 Propeller: Plastic, Black, UL 94V-0

### Life Expectancy:

This fan is designed for continuous duty life of 85,000 hours at 40°C.

### Additional Features:

Brushless DC Motor  
 Locked Rotor Protection  
 Reverse Polarity Protected  
 Automatic Restart Capability  
 Operating Temp. Range: -10°C to 70°C  
 Storage Temp. Range: -40°C to 85°C

### Termination:

12" Lead wires, AWG 22, UL 1061  
 Red = Power (+)  
 Black = Return (-)

### Agency Approvals:

UL, CUL