



Chipsmall Limited consists of a professional team with an average of over 10 year of expertise in the distribution of electronic components. Based in Hongkong, we have already established firm and mutual-benefit business relationships with customers from,Europe,America and south Asia,supplying obsolete and hard-to-find components to meet their specific needs.

With the principle of “Quality Parts,Customers Priority,Honest Operation,and Considerate Service”,our business mainly focus on the distribution of electronic components. Line cards we deal with include Microchip,ALPS,ROHM,Xilinx,Pulse,ON,Everlight and Freescale. Main products comprise IC,Modules,Potentiometer,IC Socket,Relay,Connector.Our parts cover such applications as commercial,industrial, and automotives areas.

We are looking forward to setting up business relationship with you and hope to provide you with the best service and solution. Let us make a better world for our industry!



Contact us

Tel: +86-755-8981 8866 Fax: +86-755-8427 6832

Email & Skype: info@chipsmall.com Web: www.chipsmall.com

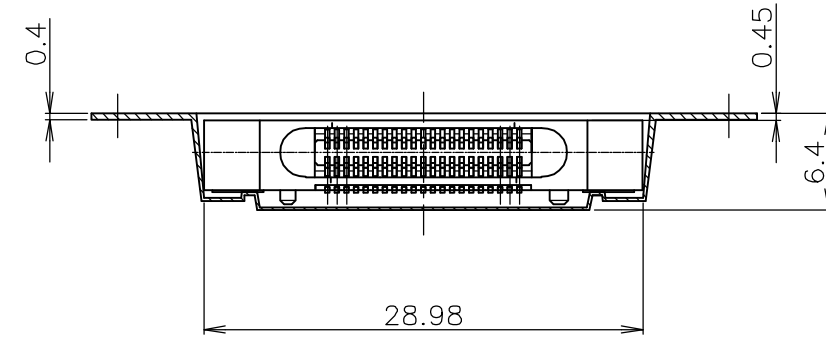
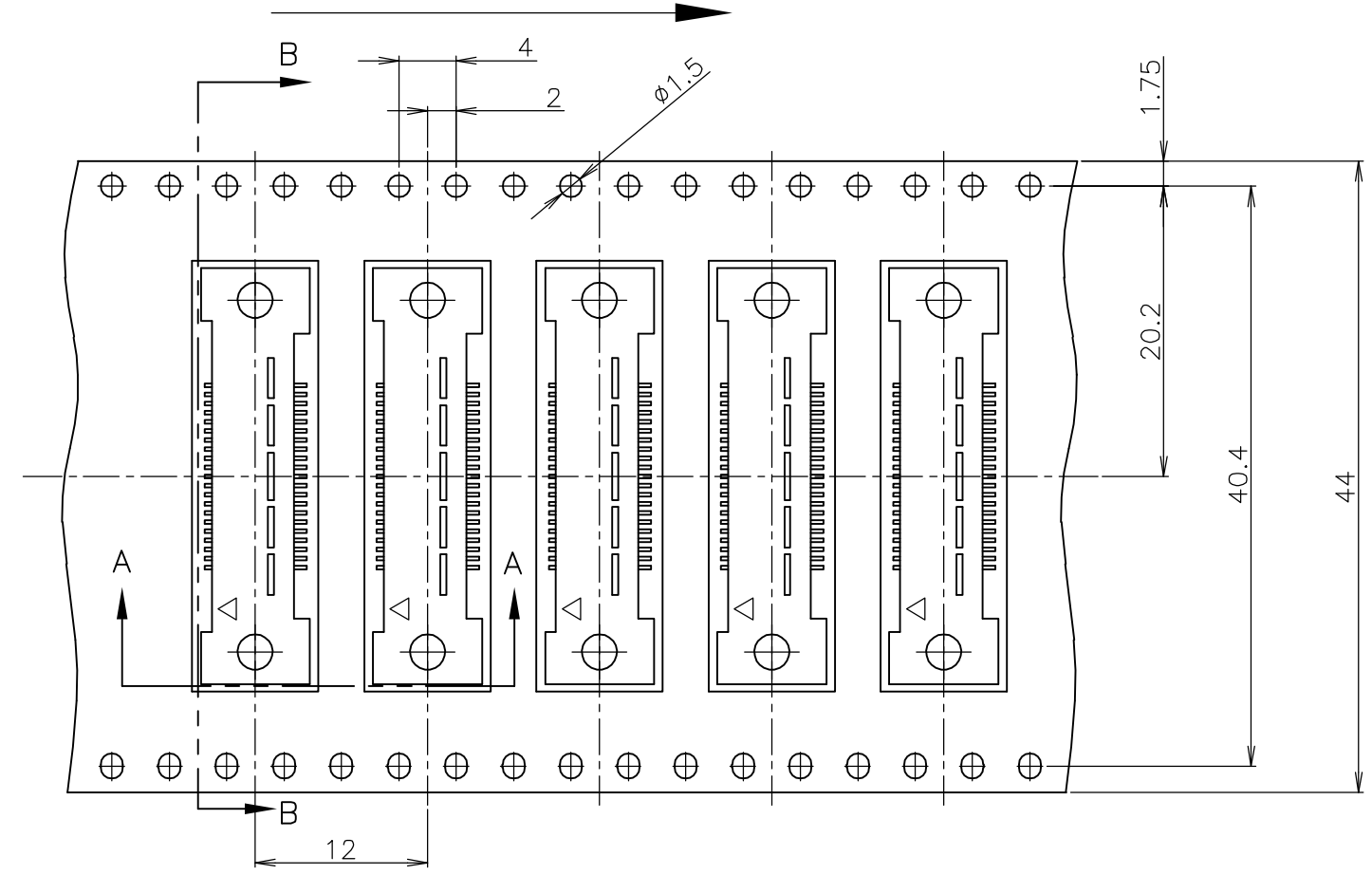
Address: A1208, Overseas Decoration Building, #122 Zhenhua RD., Futian, Shenzhen, China



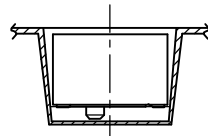
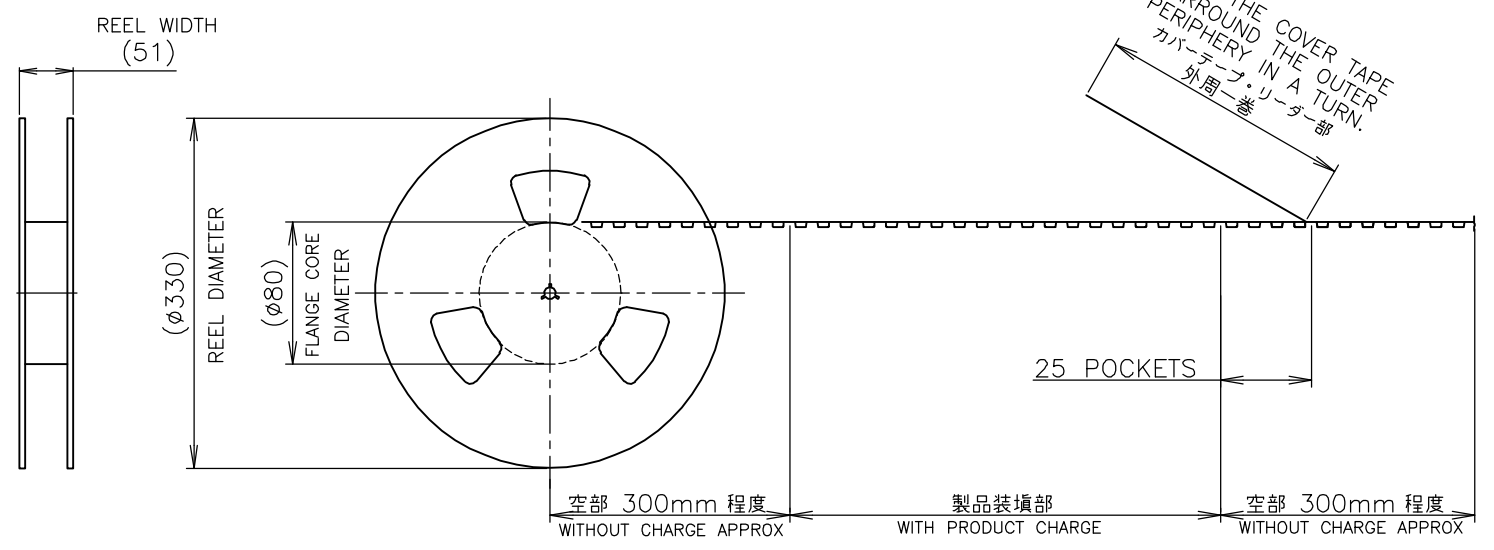
THIS DRAWING IS UNPUBLISHED. RELEASED FOR PUBLICATION JAN , 2005.
 © COPYRIGHT 2005 BY TYCO ELECTRONICS CORPORATION. ALL RIGHTS RESERVED.

LOC	DIST	REVISIONS				
		P	LTR	DESCRIPTION	DATE	DWN
J		A	RELEASED	29NOV05	H.F	Y.Y

リール引き出し方向
DIRECTION OFF TOP OF REEL



WINDING THE COVER TAPE
AROUND THE OUTER
PERIPHERY IN A TURN.
カバーテープ・リール部
外周一巻



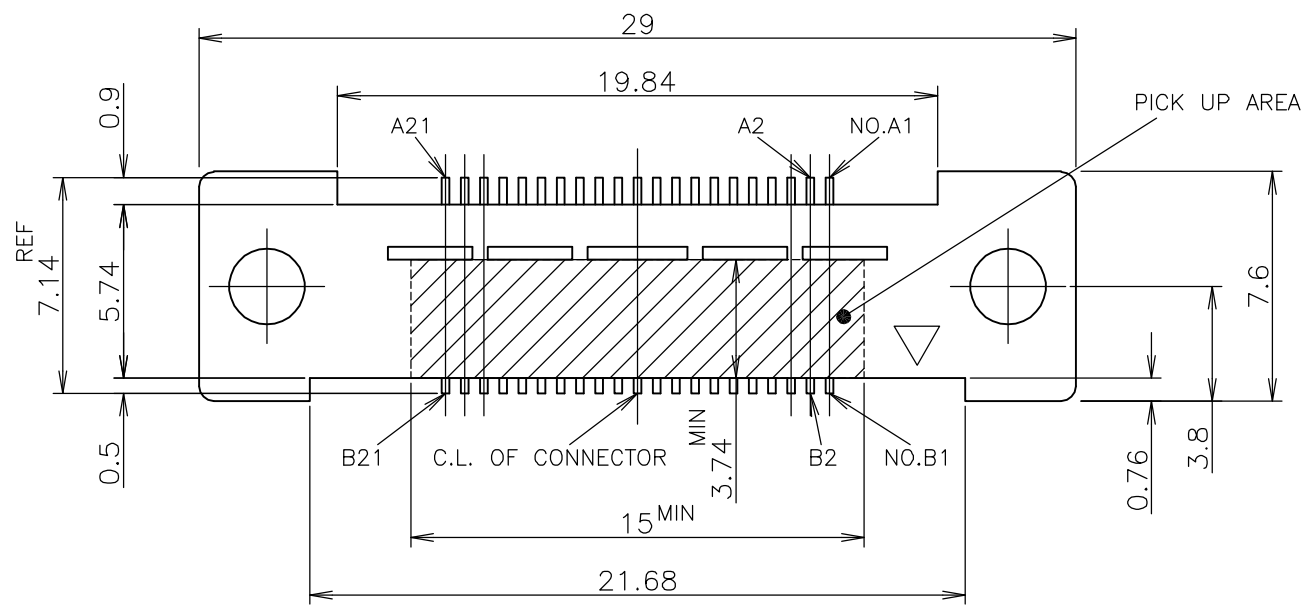
△ 材料;
エンボステープ : PS
カバーテープ : PET

△ MATERIAL ;
EMBOSS TAPE : PS
COVER TAPE : PET

THIS DRAWING IS A CONTROLLED DOCUMENT.		DWN H.FUKUZAKI 29NOV05	WITH BOSS 800 1903260-1	
DIMENSIONS: 単位: 耗 mm		CHK H.FUTATSUGI 29NOV05	REMARKS QTY PART NUMBER	
TOLERANCES UNLESS OTHERWISE SPECIFIED: 一般公差		APVD Y.YAMAMOTO 29NOV05	Tyco Electronics AMP K.K. Kawasaki, Japan	
0-PLC ±		PRODUCT SPEC 製品規格 108-78235	NAME 名称 EMOSS ASSY 0.635mm PITCH BAY CONN. RECEPTACLE.	
1-PLC ± ±0.3		APPLICATION SPEC 取付適用規格	SIZE A3	CAGE CODE 00779
2-PLC ±		WEIGHT	DRAWING NO C-1903260	RESTRICTED TO
3-PLC ±		MATERIAL 材料 △	SCALE 尺度 NTS SHEET 1 OF 3 REV A	
4-PLC ±			CUSTOMER DRAWING	
ANGLES ±3'				
FINISH 仕上				

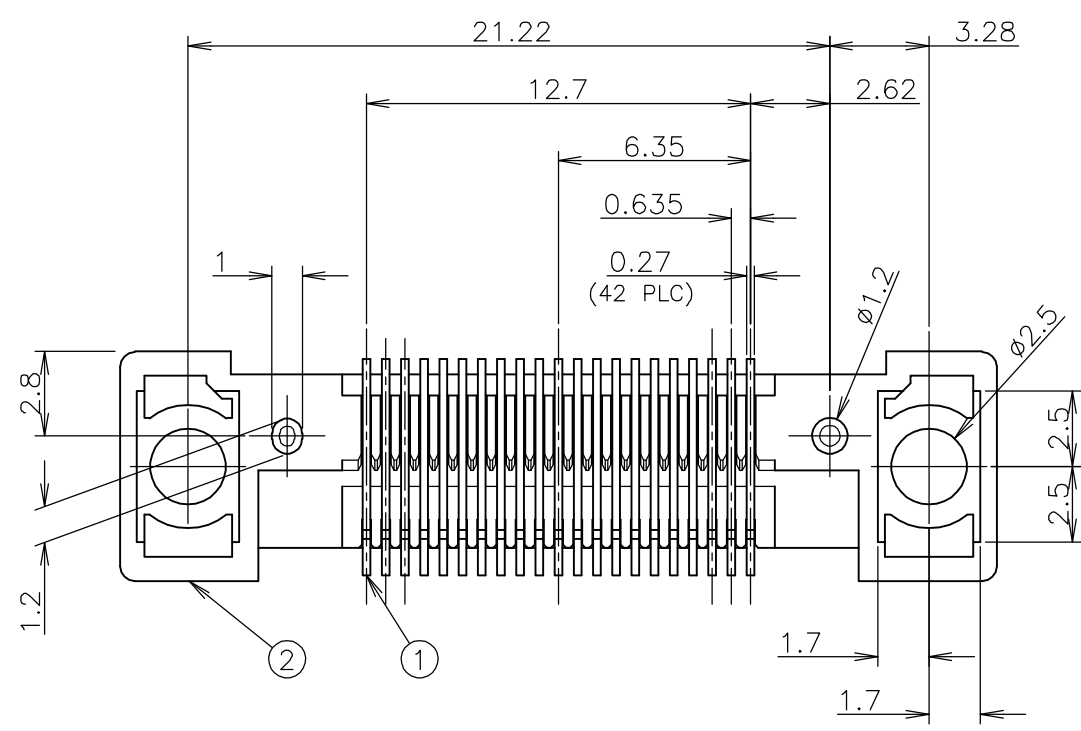
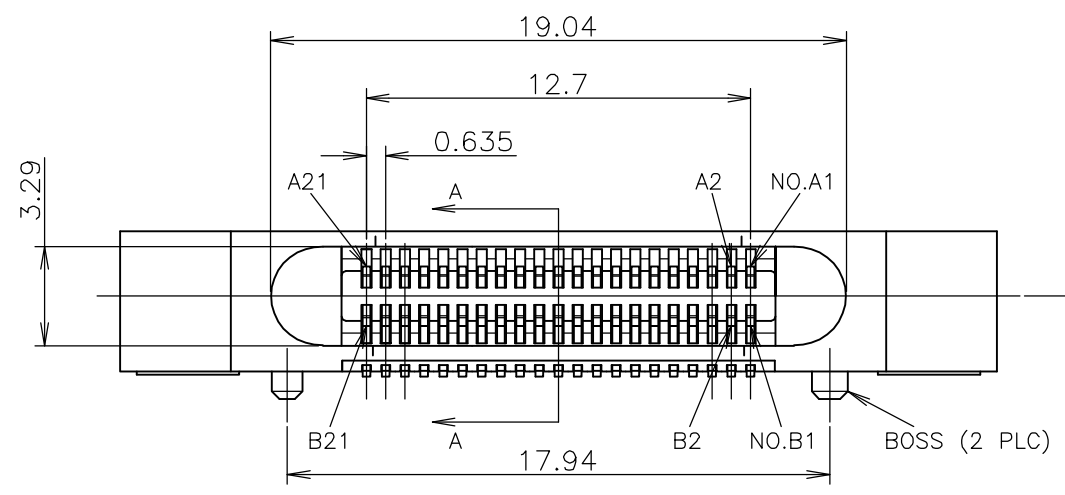
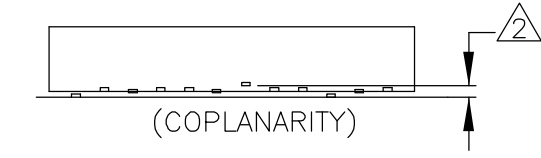
THIS DRAWING IS UNPUBLISHED. RELEASED FOR PUBLICATION
 © COPYRIGHT BY TYCO ELECTRONICS CORPORATION. ALL RIGHTS RESERVED.

LOC	DIST	REVISIONS		
		P	LTR	DESCRIPTION
J	/			SEE SHEET 1
				DATE
				DWN
				APVD



注記
 1 材質:
 ハウジング; 熱可塑性樹脂 (UL94V-0, 黒色)
 コンタクト; 銅合金
 仕上げ; 全面ニッケル下地めっき
 接点部 金めっき
 はんだ付け部 すずめっき
 △ コネクタを平坦面に置き、タインの浮きは0.1以下。
 3 一般公差: ±0.3, ±3°

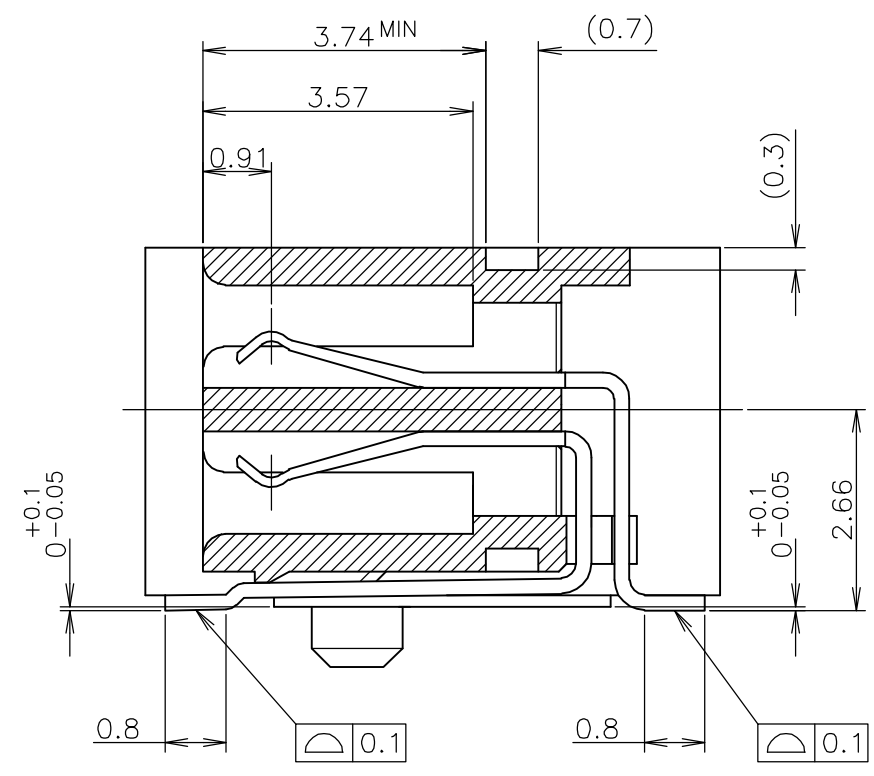
NOTE
 1 MATERIAL
 HOUSING : THERMO-PLASTICS(UL94V-0,BLACK)
 CONTACT : COPPER ALLOY
 FINISH : ALL OVER Ni UNDER PLATING.
 Au PLATING ON CONTACT AREA
 Sn PLATING ON TINE AREA
 △ MUST BE MEASURED FLOATING AMOUNT OF TINE
 FROM DATUM SURFACE IS 0.1 MAX.
 3 GENERAL TOLERANCE : ±0.3, ±3°



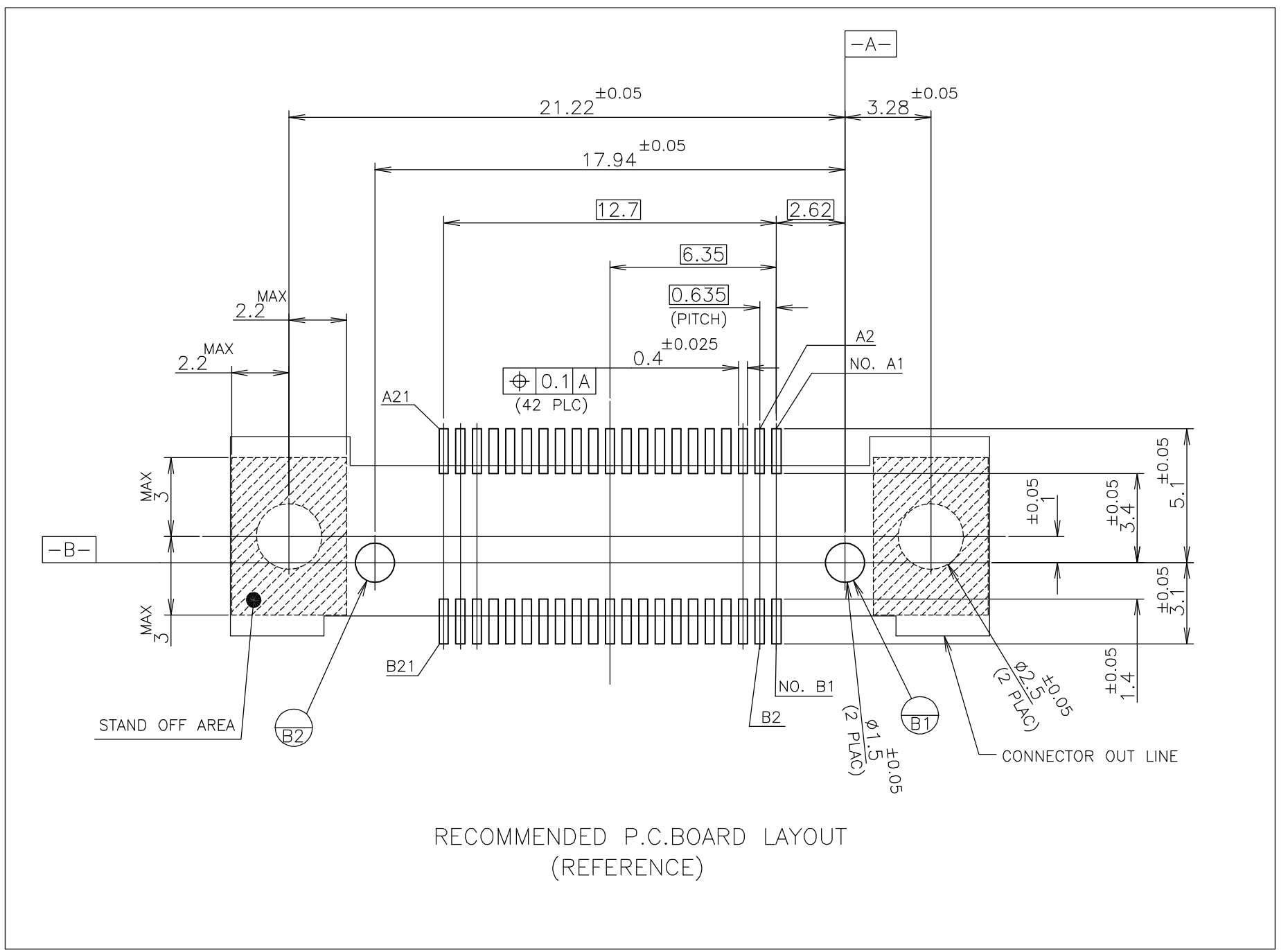
THIS DRAWING IS A CONTROLLED DOCUMENT.		DWN	Tyco Electronics AMP K.K.	
DIMENSIONS: 単位: 耗 mm		CHK	Kawasaki, Japan	
TOLERANCES UNLESS OTHERWISE SPECIFIED: 一般公差		APVD	NAME 名称	
0 PLC ± -		PRODUCT SPEC 製品規格	EMBOSS ASSY	
1 PLC ± -		APPLICATION SPEC 取付適用規格	0.635mm PITCH BAY CONN. RECEPTACLE	
2 PLC ± -		WEIGHT	SIZE	CAGE CODE
3 PLC ± -		CUSTOMER DRAWING	A3	00779
4 PLC ± -			DRAWING NO 番号	C-1903260
ANGLES ± -		RESTRICTED TO	-	
FINISH 仕上		SCALE 尺度	4:1	SHEET 2 OF 3
MATERIAL 材料		REV	A	

THIS DRAWING IS UNPUBLISHED. RELEASED FOR PUBLICATION
 © COPYRIGHT BY TYCO ELECTRONICS CORPORATION. ALL RIGHTS RESERVED.

LOC	DIST	REVISIONS		
J	/	P	LTR	DESCRIPTION
				DATE
				DWN
				APVD
		SEE SHEET 1		



SECT A-A
(SCALE 10:1)



RECOMMENDED P.C.BOARD LAYOUT
(REFERENCE)

THIS DRAWING IS A CONTROLLED DOCUMENT.		DWN	Tyco Electronics AMP K.K. Kawasaki, Japan		
DIMENSIONS: 単位: 耗 mm	TOLERANCES UNLESS OTHERWISE SPECIFIED: 一般公差	CHK	NAME 名称		
	0 PLC ± -	APVD	EMBOSS ASSY		
	1 PLC ± -	PRODUCT SPEC 製品規格	0.635mm PITCH BAY CONN. RECEPTACLE		
MATERIAL 材料	2 PLC ± -	APPLICATION SPEC 取付適用規格	SIZE	CAGE CODE	DRAWING NO 番号
	3 PLC ± -	WEIGHT	A3	00779	C-1903260
	4 PLC ± -	CUSTOMER DRAWING	RESTRICTED TO		
	ANGLES ± -		SCALE 尺度	SHEET	REV
	FINISH 仕上		5:1	3 OF 3	A