



Chipsmall Limited consists of a professional team with an average of over 10 year of expertise in the distribution of electronic components. Based in Hongkong, we have already established firm and mutual-benefit business relationships with customers from,Europe,America and south Asia,supplying obsolete and hard-to-find components to meet their specific needs.

With the principle of “Quality Parts,Customers Priority,Honest Operation,and Considerate Service”,our business mainly focus on the distribution of electronic components. Line cards we deal with include Microchip,ALPS,ROHM,Xilinx,Pulse,ON,Everlight and Freescale. Main products comprise IC,Modules,Potentiometer,IC Socket,Relay,Connector.Our parts cover such applications as commercial,industrial, and automotives areas.

We are looking forward to setting up business relationship with you and hope to provide you with the best service and solution. Let us make a better world for our industry!



## Contact us

Tel: +86-755-8981 8866 Fax: +86-755-8427 6832

Email & Skype: info@chipsmall.com Web: www.chipsmall.com

Address: A1208, Overseas Decoration Building, #122 Zhenhua RD., Futian, Shenzhen, China

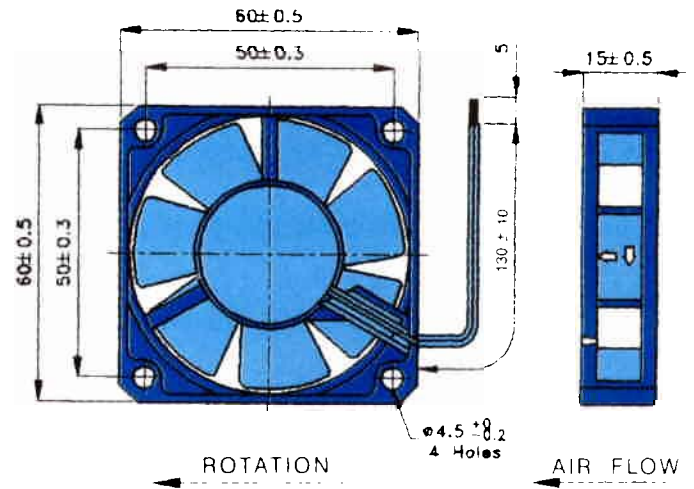
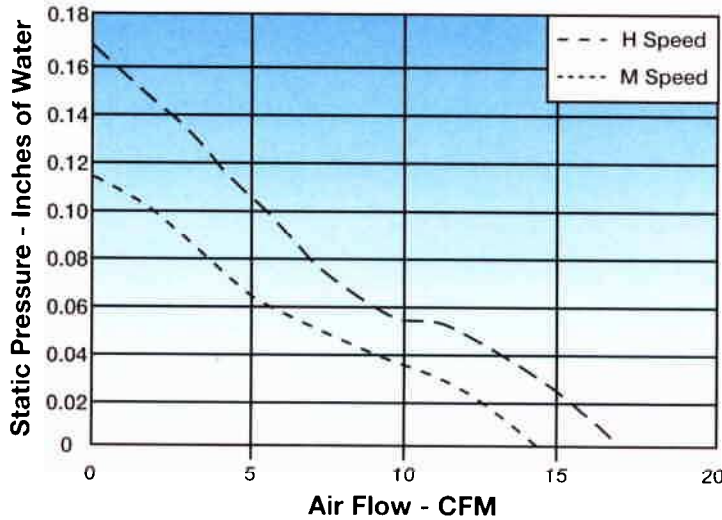
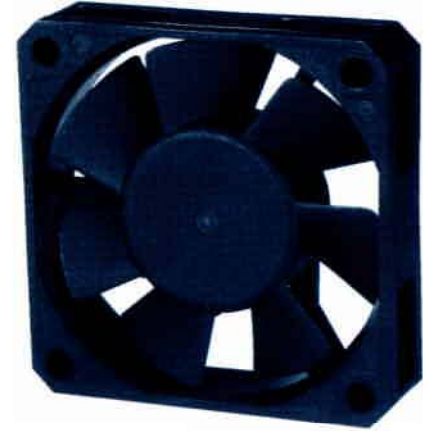


# 60 x 15mm

# Flight<sup>®</sup> LT

## Features:

- Size: 2.36" x .59 wide (60mm x 15mm)
- Air Flow: 14 -17 CFM
- Noise: 28.8 - 32.4 dBA
- Operating Voltage: 5, 12, & 24 vdc
- Operating Temperature: -10°C to +70°C
- Storage Temperature: -40°C to +75°C
- Weight: .08 lb (38 g)
- Agencies: UL, CUR, TUV, CE
- Ball Bearing Unit: (Sleeve Bearing Available)



Model No.	Part No.	Voltage Nominal (VDC)	Running Current (amps)	Power (Watts)	RPM	CFM	Static Pressure	Noise (dBA)
* CR0605HB-D71GL	032682	5	.370	1.85	4500	17.0	.150	32.4
CR0605MB-D71GL	032684	5	.250	1.25	3900	14.0	.116	28.8
* CR0612HB-D71GL	032686	12	.130	1.56	4500	17.0	.150	32.4
CR0612MB-D71GL	032688	12	.110	1.32	3900	14.0	.116	28.8
† CR0624HB-D71GL	032690	24	.090	2.16	4500	17.0	.150	32.4
† CR0624MB-D71GL	032692	24	.070	1.68	3900	14.0	.116	28.8

\* Distributor Item

† Agencies Vary (Consult Factory)

## Comair Rotron

2675 Customhouse Court • San Ysidro CA 92173 • Ph (619) 661-6688 Fax (619) 661-1757  
 E-mail: sales@comairrotron.com • Web: www.comairrotron.com